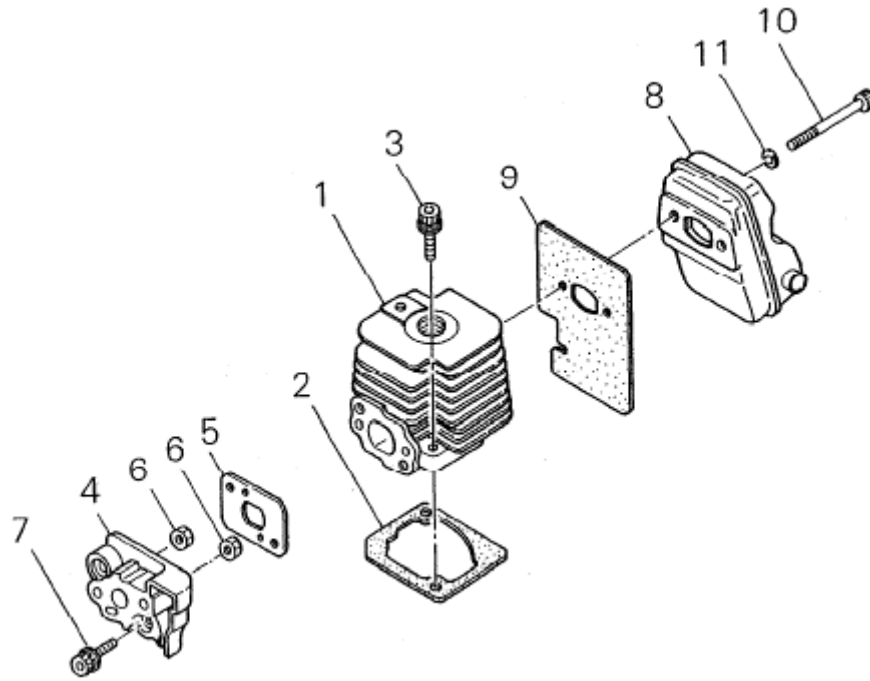


shindaiwa

Bordatore

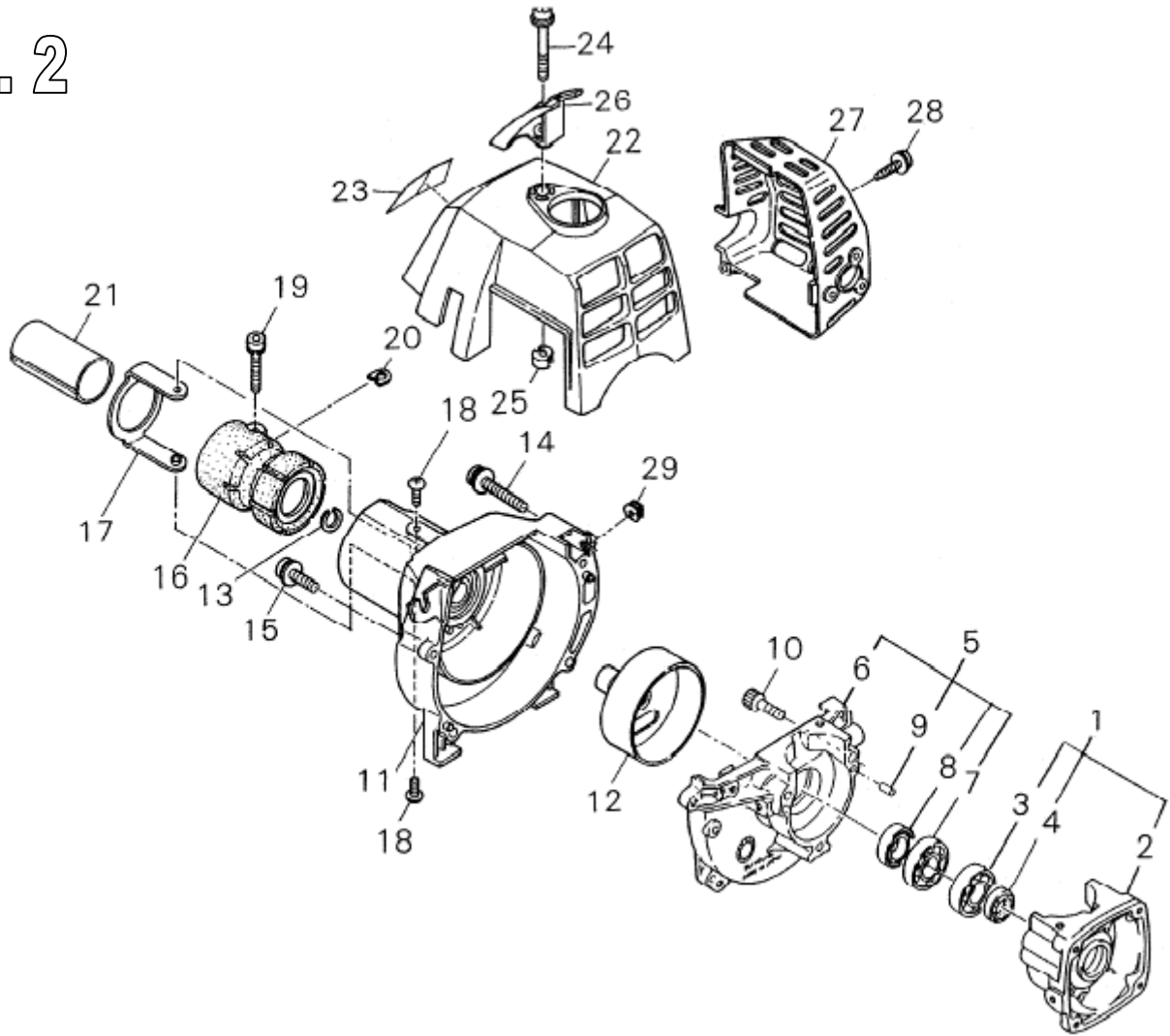
22 F

Fig. 1



Ref. No	Part No.	Part Name	Q`ty
1- 1	20142-12110	CYLINDER	1
2	20016-12120	GASKET	1
3	11022-05250	BOLTSPW	2
4	20140-12210	INSULATOR	1
5	20140-12220	GASKET	1
6	20011-12260	NUT	2
7	11022-05250	BOLTSPW	2
8	20142-15110	MUFFLER	1
9	20140-15120	GASKET	1
10	01020-05400	BOLT	2
11	01610-05080	WASHER	2

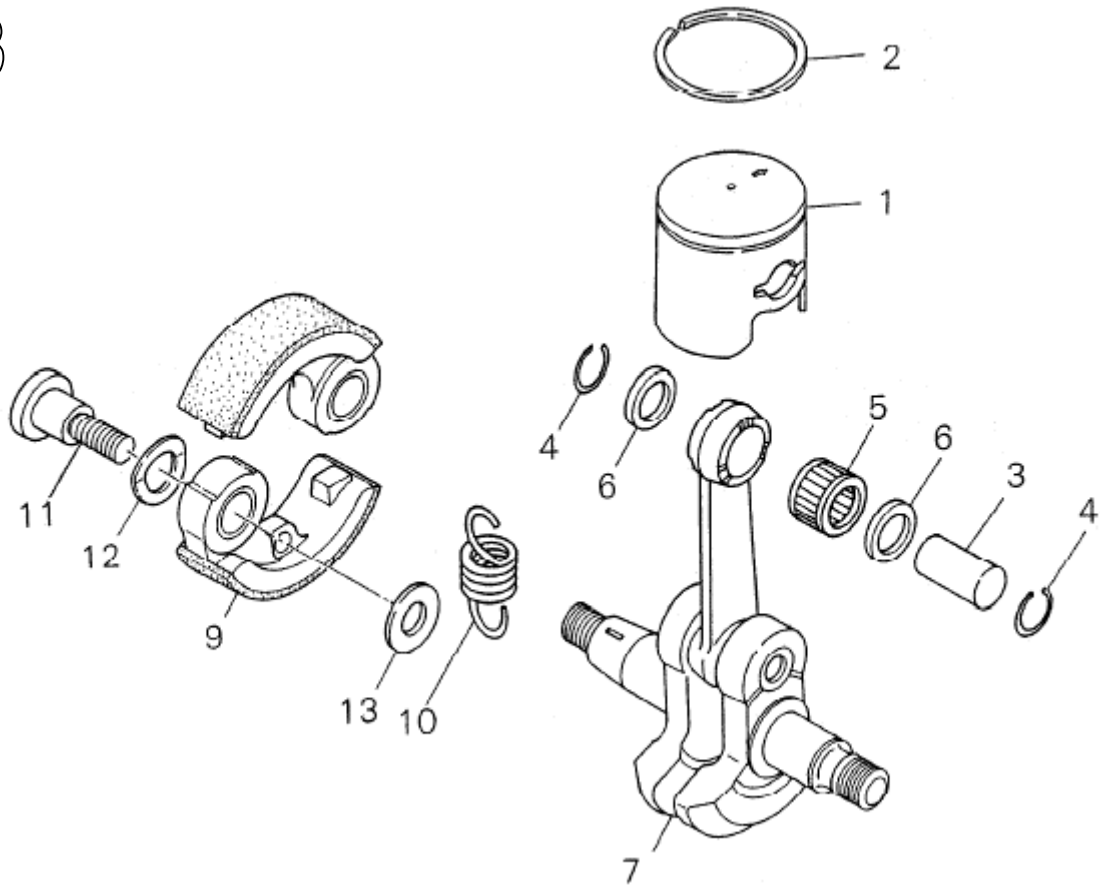
Fig. 2



Ref. No	Part No.	Part Name	Q`ty
2- 1	20035-21100	CRANKCASESCOMP	1
2	20036-21111	*CRANKCASES	1
3	12900-60010	*BEARING	1
4	22150-21250	*OILSEAL	1
5	20140-21200	CRANKCASEMCOMP	1
6	20036-21123	*CRANKCASEM	1
7	12900-60010	*BEARING	1
8	20000-21211	*OILSEAL	1
9	12492-40080	*ROLLER	2
10	01020-05250	BOLT	3
11	20142-31112	FANCOVER	1
12	70030-31120	CLUTCHDRUM	1
13	20000-31140	SNAPRING	1
14	11206-05300	SCREWPMSPW	3
15	11206-05160	SCREWPMSPW	1
16	20087-31410	JOINT	1
17	20142-31420	STOPPER	1
18	11260-04081	SCREWADHESIVE	2
19	11020-05220	BOLTSW	1
20	20018-31460	SHIM	1

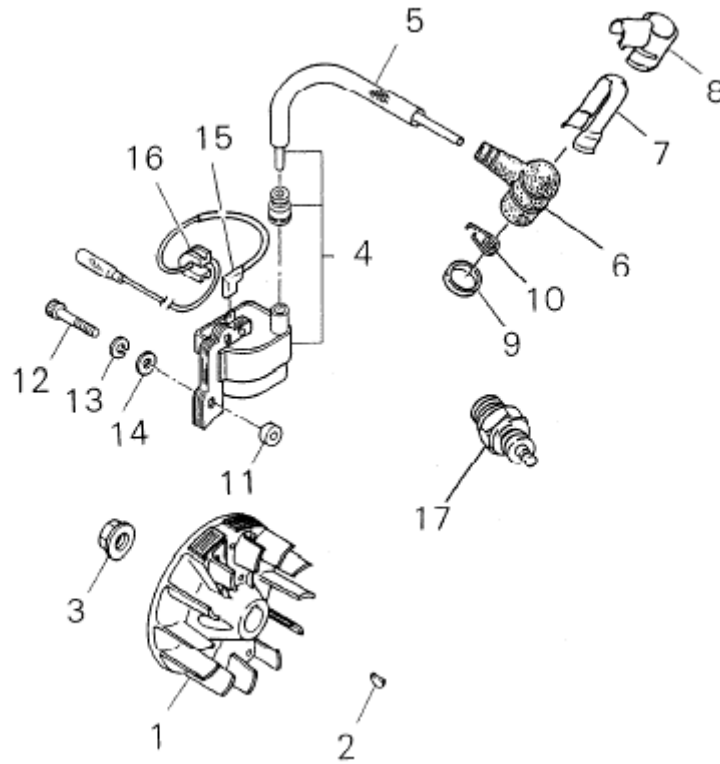
21	67001-31310	SPACER	1
22	20140-32112	CYLINDERCOVER	1
23	67001-91021	LABELTRADE	1
24	20140-31250	SCREWPMSLPW	1
25	20140-31260	INSULATOR	1
26	20140-34112	PROTECTOR	1
27	20142-32211	MUFFLERCOVER	1
28	22160-32210	SCREWPC	1
29	20011-72120	GROMMET	1

Fig. 3



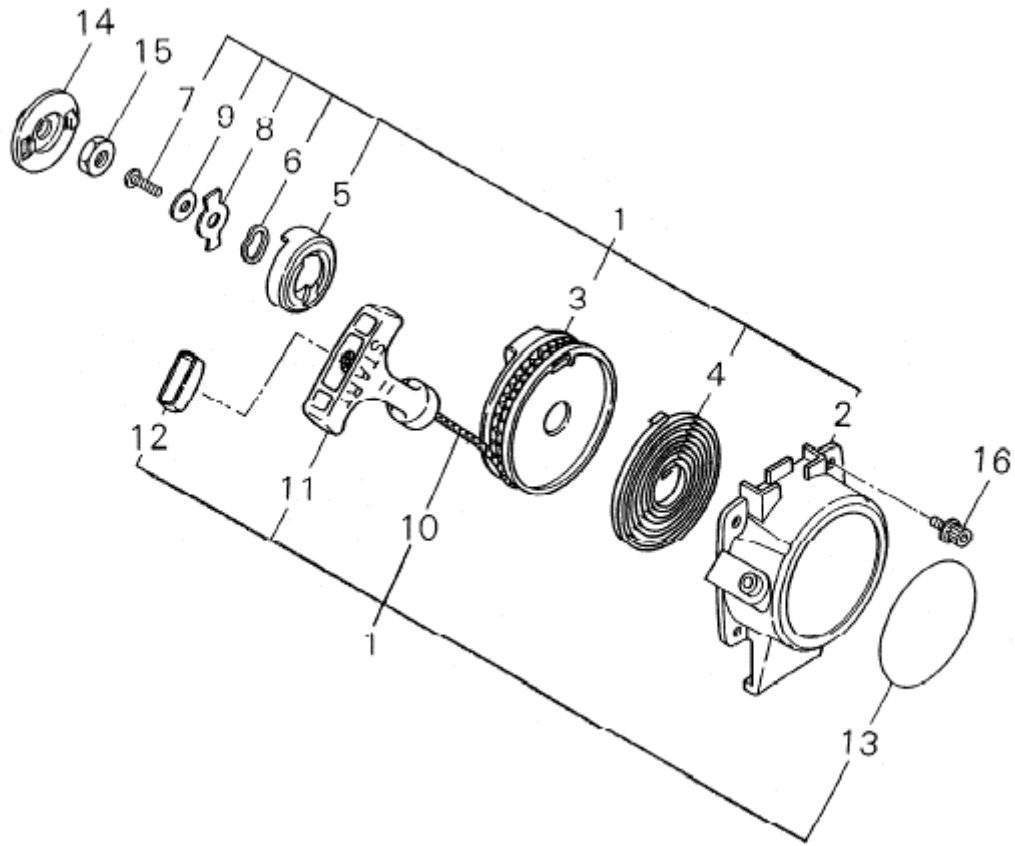
Ref. No	Part No.	Part Name	Q`ty
3- 1	20142-41110	PISTON	1
2	20142-41210	PISTONRING	1
3	20142-41310	PISTONPIN	1
4	70030-41320	SNAPRING	2
5	67000-41230	NEEDLEBEARING	1
6	20016-41340	THRUSTWASHER	2
7	67000-42010	CRANKSHAFT	1
9	20035-51111	CLUTCHSHOE	2
10	20035-51221	CLUTCHSPRING	1
11	20142-51210	BOLT	2
12	20087-51231	SPRINGPLATE	2
13	22100-71430	WASHER	2

Fig. 4



Ref. No	Part No.	Part Name	Q`ty
4- 1	20140-71200	ROTOR	1
2	02403-03100	KEY	1
3	20035-71220	NUT	1
4	20140-71600	COILASSY	1
5	70064-72111	TUBE	1
6	20010-72221	PLUGCAP	1
7	70180-72260	SHIELD	1
8	20000-72241	PLUGCAPCOVER	1
9	20000-72250	COVERBAND	1
10	20000-72230	SPRINGSPARKPLUG	1
11	70030-71620	INSULATOR	2
12	01020-04260	BOLT	2
13	01600-04101	SPRINGWASHER	2
14	01613-04080	WASHER	2
15	67000-71240	CORD	1
16	20011-72120	GROMMET	1
17	13000-13406	SPARKPLUGBMR6A	1

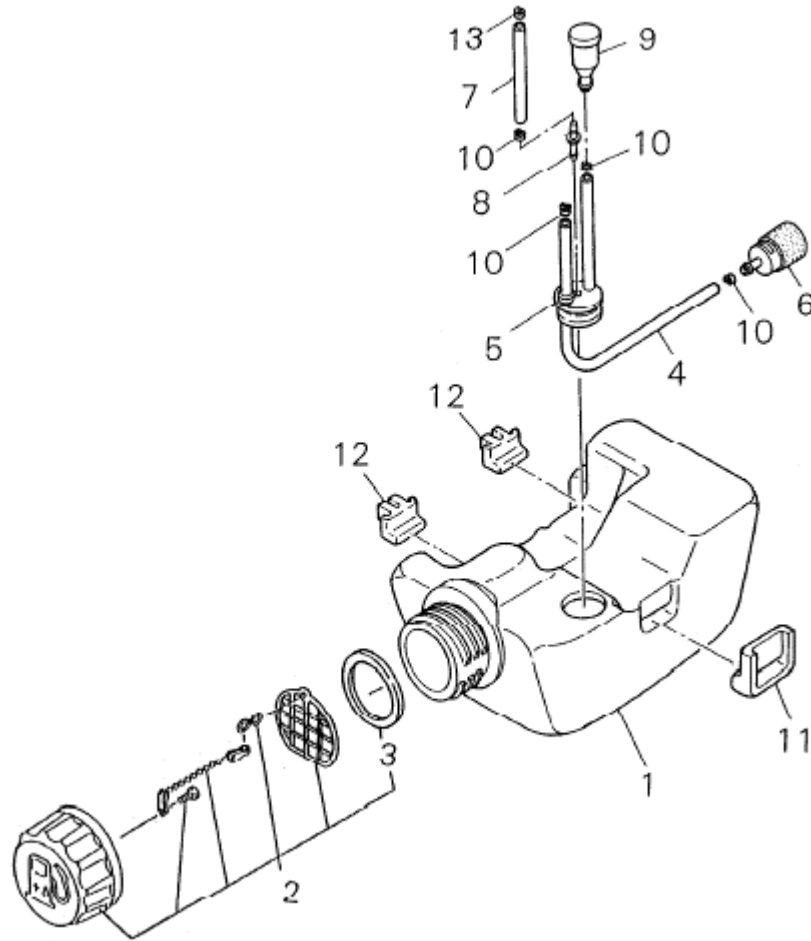
Fig. 5



Ref. No	Part No.	Part Name	Q`ty
5- 1	20140-75100	RECOILSTARTERSUBASSY	1
2	20140-75110	*STARTERCASE	1
3	20140-75120	*REEL	1
4	20140-75130	*SPRING	1
5	20140-75140	*DOG	1
6	20140-75150	*BRAKESPRING	1
7	20140-75160	*SCREW	1
8	20140-75170	*RETAINER	1
9	20140-75180	*WASHER	1
10	70064-75190	*ROPE	1
11	70064-75211	*HANDLE	1
12	70064-75220	*STOPPER	1
13	70064-75250	*NAMEPLATE	1
14	20140-75310	STARTERPULLEY	1
15	01511-08051	NUT	1
16	11024-04120	BOLTSPW	4

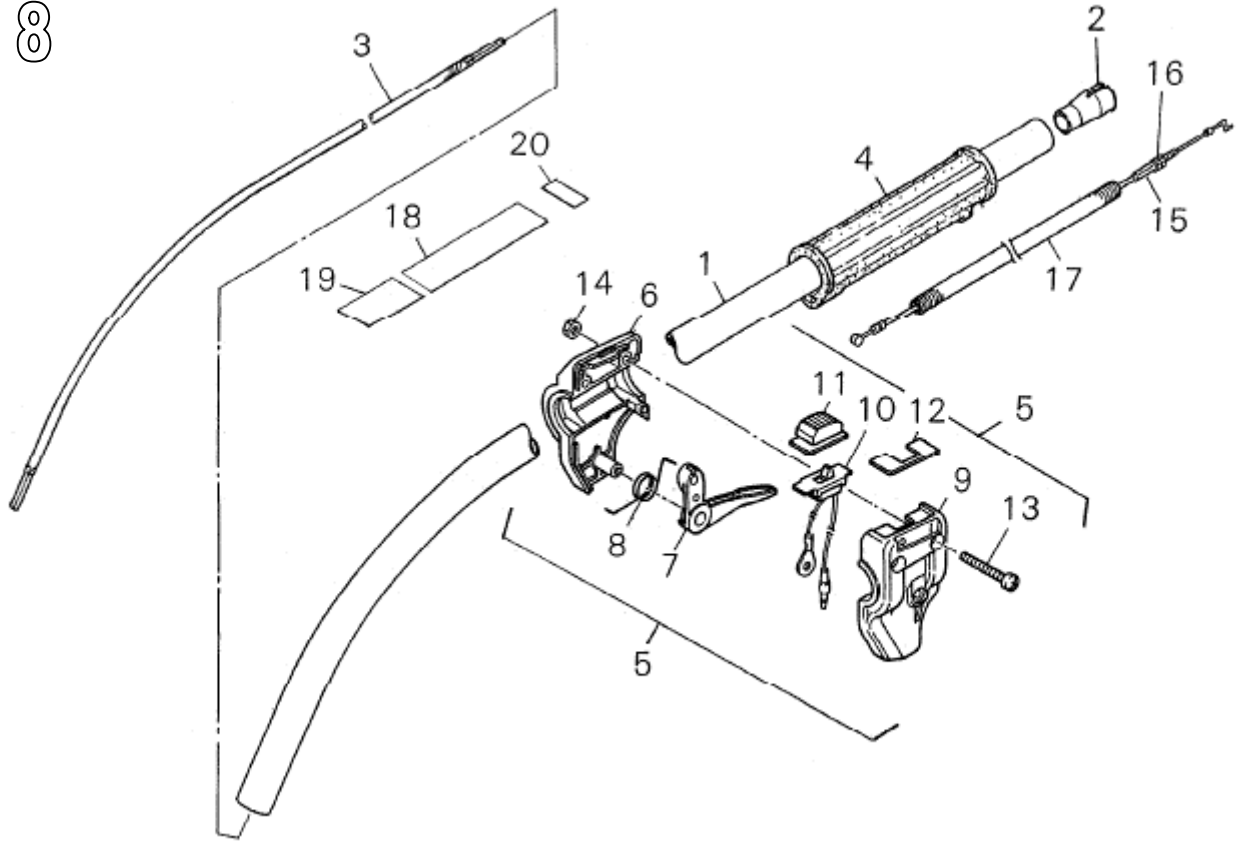
22	20016-81250	*ORING	1
23	20140-81700	CLEANERBODYSUBASSY	1
24	20140-82210	FILTER	1
25	20140-81790	CLEANERCOVER	1
26	37019-82340	SCREWPMPLPW	1
27	20018-81721	BACKPLATE	1
28	19404-00008	LABELCHOKE	1
29	20140-81350	GASKET	1
30	11203-05658	SCREWPM	2
31	01610-05080	WASHER	2

Fig. 7



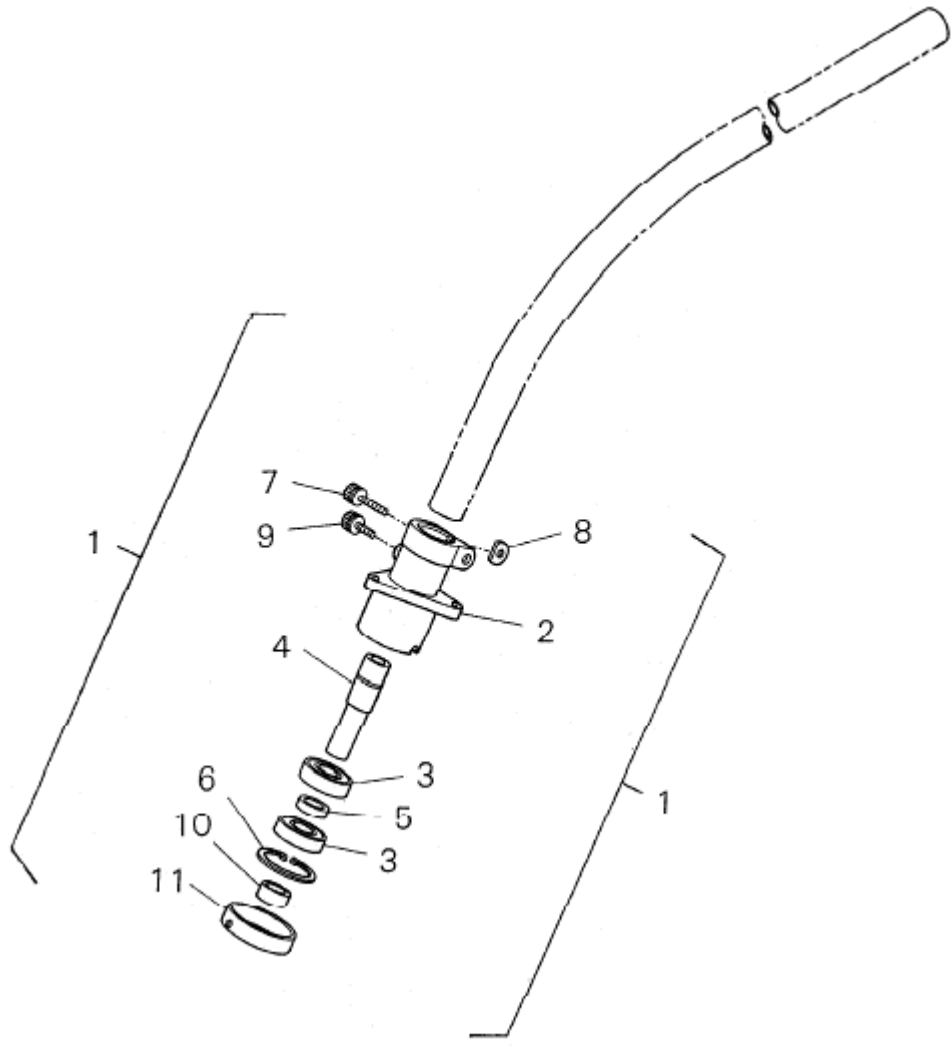
Ref. No	Part No.	Part Name	Q`ty
7- 1	20142-85113	FUELTANK	1
2	70168-85201	FUELCAPASSY	1
3	20000-85221	*GASKET	1
4	20110-85320	FUELPIPE	1
5	20087-85350	GROMMET	1
6	20016-85400	FUELFILTER	1
7	20112-85361	PIPE	1
8	72933-85620	JOINT	1
9	20035-85522	VALVE	1
10	20020-85540	CLIP	4
11	20087-86130	TANKCUSHION	1
12	20087-86141	TANKCUSHION	2
13	37013-85310	CLIP	1

Fig. 8



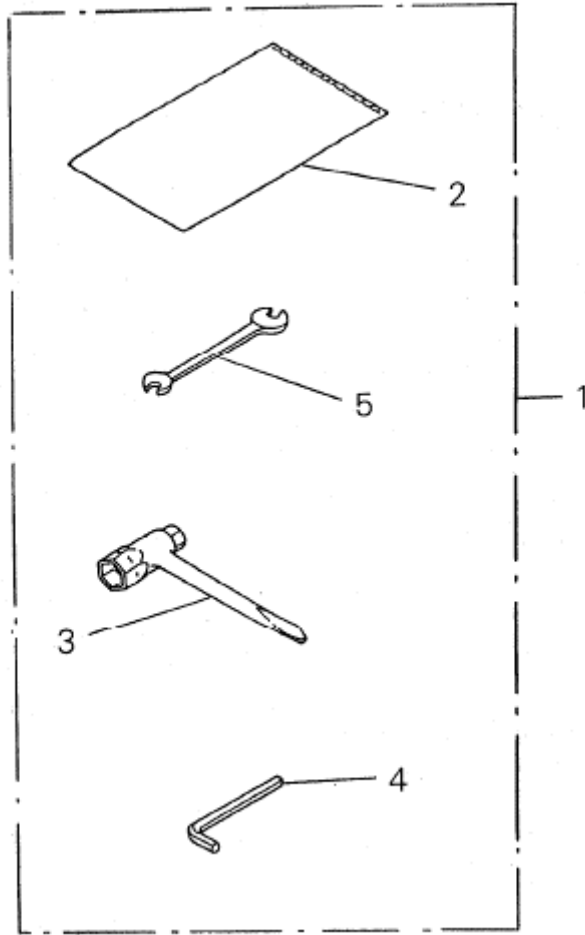
Ref. No	Part No.	Part Name	Q`ty
8- 1	67001-62111	OUTERPIPE	1
2	67001-62320	SPACER	1
3	67001-62211	FLEXIBLESHAFT	1
4	72414-12130	GRIP	1
5	67001-62160	THROTTLELEVERASSY	1
6	72414-12612	*BRACKETRIGHT	1
7	22410-14321	*LEVER	1
8	22410-14331	*SPRING	1
9	72414-12641	*BRACKETLEFT	1
10	67000-62310	*SWITCH	1
11	22420-12930	*KNOB	1
12	22420-12940	*PLATE	1
13	11206-05300	*SCREWPM	3
14	01501-05031	*NUT	3
15	22550-14510	THROTTLECABLE	1
16	01501-06041	NUT	2
17	70229-83140	TUBE	1
18	19422-00016	LABELCAUTION	1
19	19402-00223	LABELCAUTION	1
20	72017-12150	HANDLELABEL	1

Fig. 9



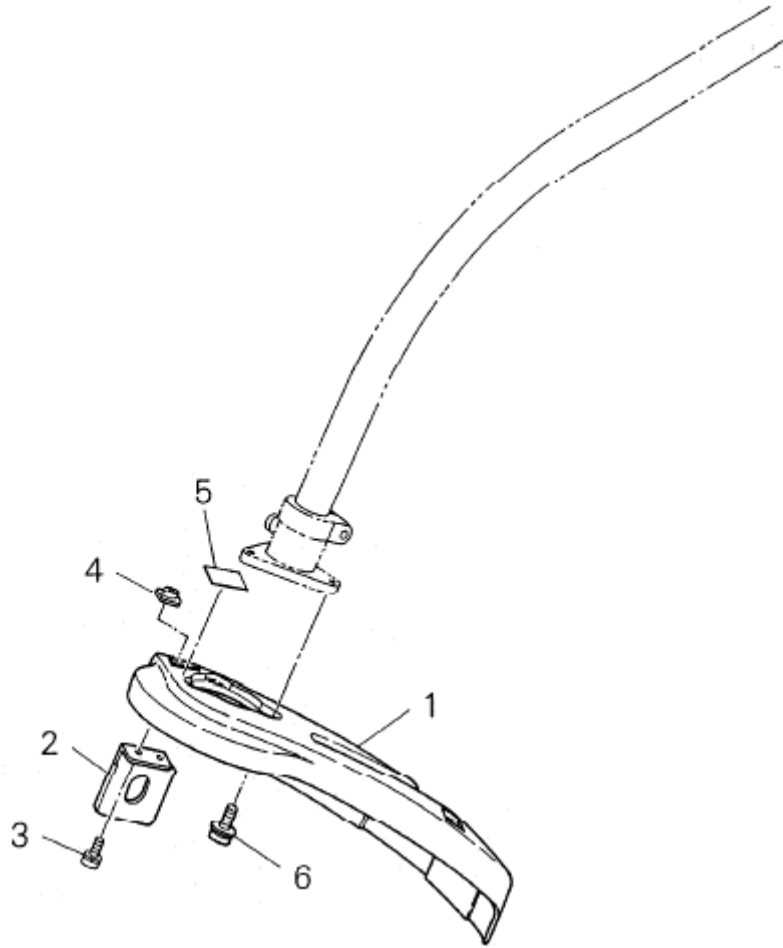
Ref. No	Part No.	Part Name	Q`ty
9- 1	67001-63010	SHAFTCASEASSY	1
2	72097-13110	*SHAFTCASE	1
3	02006-06001	*BEARING	2
4	72414-13120	*SHAFT	1
5	72030-13130	*COLLARA	1
6	02432-28120	*SNAPRING	1
7	11022-05250	*BOLTSPW	1
8	22000-13420	*SHIM	1
9	11022-05100	*BOLTSPW	1
10	72030-13140	COLLARB	1
11	72030-13151	HOLDER	1

Fig. 10



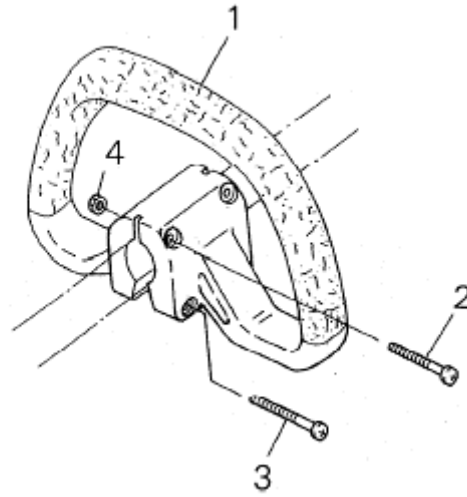
Ref. No	Part No.	Part Name	Q`ty
10- 1	22410-91000	TOOLSET	1
2	19639-01100	*POLYBAG	1
3	22000-91181	*PLUGWRENCH	1
4	09026-04001	*HEXAWRENCH	1
5	22000-91120	*SPANNER	1

Fig. 11



Ref. No	Part No.	Part Name	Q`ty
11- 1	67001-66112	GUARD	1
2	72480-16121	CUTTER	1
3	11204-04160	SCREWPM SW	2
4	72030-16151	NUT	2
5	72030-16140	CAUTIONPLATE	1
6	11206-05160	SCREWPM SPW	3

Fig. 12



Ref. No	Part No.	Part Name	Q`ty
12- 1	72495-14110	HANDLE	1
2	11207-05450	SCREW PMSLPW	2
3	11207-05450	SCREW PMSLPW	2
4	01500-05041	NUT	4