

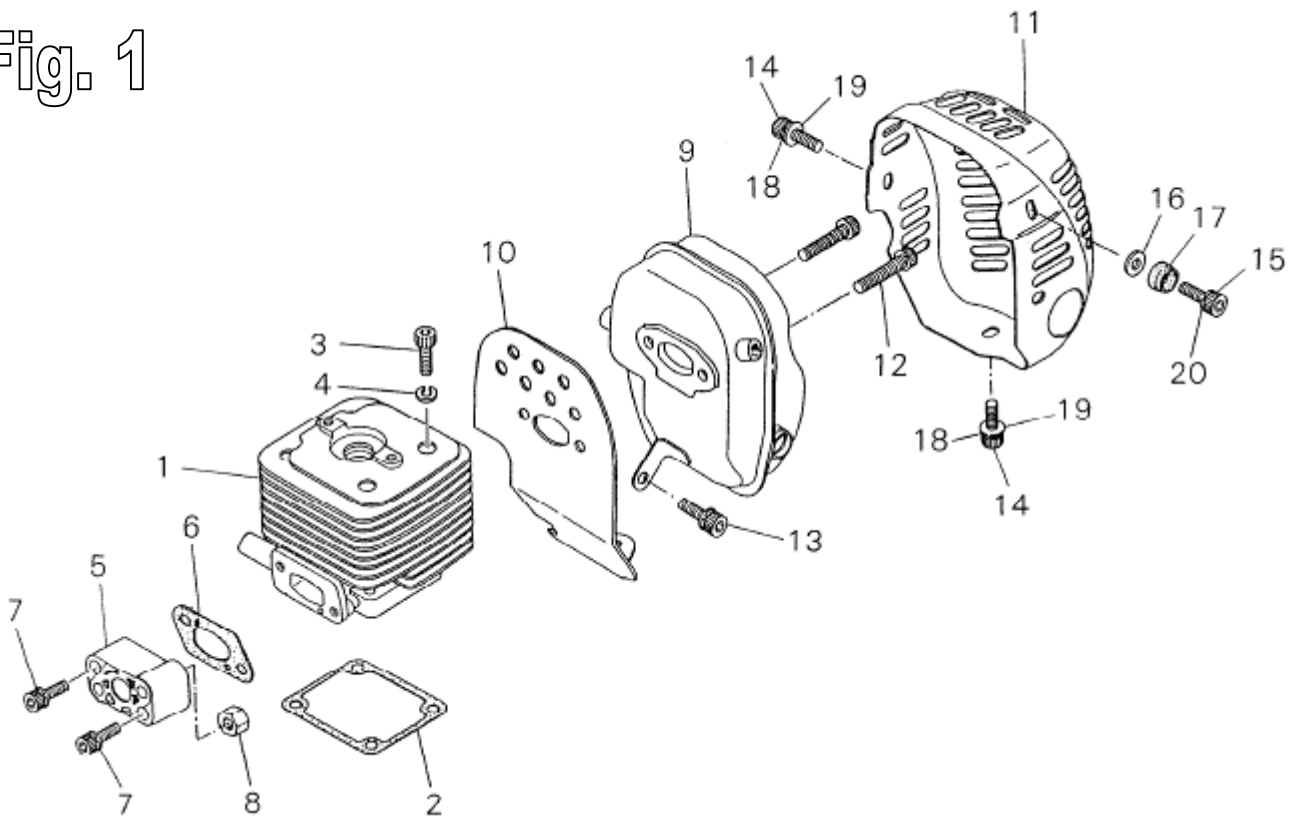
shindaiwa

Dece spugliatore

B 450

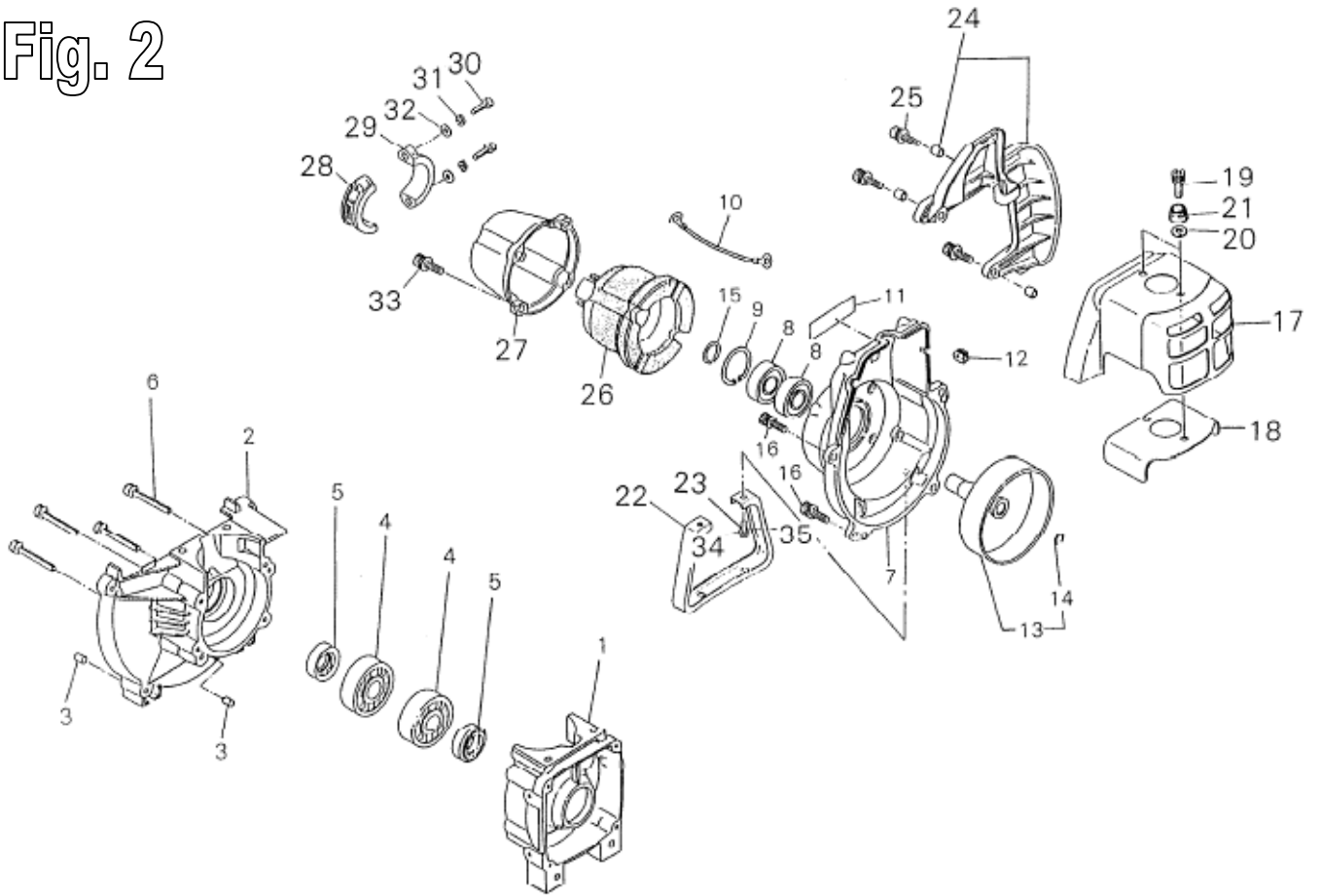
Motore da matr. 3032685

Fig. 1



Ref. No	Part No.	Part Name	Q`ty
1- 1	70210-12111	CYLINDER	1
2	20010-12120	GASKETCYLINDER	1
3	01020-05250	BOLT	4
4	01600-05131	SPRINGWASHER	4
5	20060-12210	INSULATOR	1
6	20011-12220	GASKET	1
7	11022-05250	BOLTSPW	2
8	20024-12260	NUT	2
9	70210-15111	MUFFLER	1
10	70210-15212	GASKET	1
11	70196-15312	MUFFLERGUARD	1
12	01020-06250	BOLT	2
13	11024-05120	BOLTSLPW	1
14	01020-05105	BOLT	2
15	01020-05105	BOLT	1
16	70196-32150	WASHER	1
17	70196-32160	COVER	1
18	01600-05131	SPRINGWASHER	2
19	01613-05080	WASHER	2
20	01600-05131	SPRINGWASHER	1

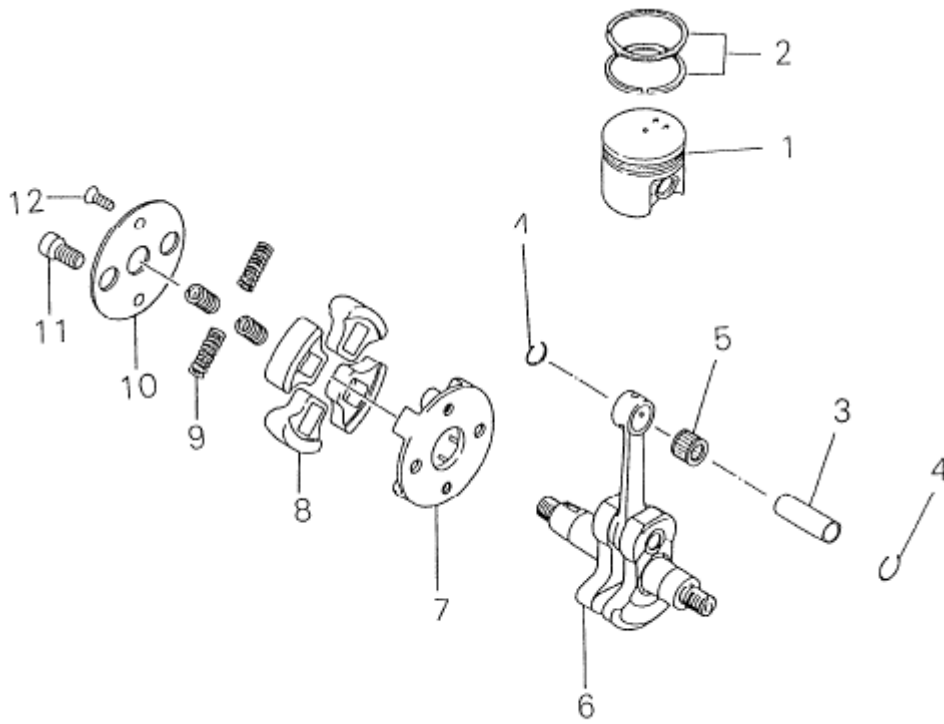
Fig. 2



Ref. No	Part No.	Part Name	Q`ty
2-	72540-98310	CRANKCASEASSY	1
1	72935-21111	*CRANKCASES	1
2	72921-21121	*CRANKCASEM	1
3	12492-50100	*DOWELPIN	4
4	12900-62020	*BEARING	2
5	20010-21211	*OILSEAL	2
6	01020-05300	*BOLT	4
7	70012-31111	FANCOVER	1
8	02006-06002	BEARING	2
9	02432-32120	SNAPRING	1
10	70192-31510	EARTHCORD	1
11	70210-31150	LABELTRADE	1
12	20011-72120	GROMMET	1
13	20021-31200	CLUTCHDRUMSET	1
14	20021-31220	*SNAPRING	1
15	20011-31230	SNAPRING	1
16	11022-05200	BOLTSPW	4
17	70210-32111	CYLINDERCOVER	1
18	70196-32141	GASKET	1
19	11020-05140	BOLT SW	2
20	70196-32150	WASHER	2
21	70196-32160	COVER	2
22	70200-33112	STAND	1
23	01020-05200	BOLT	2

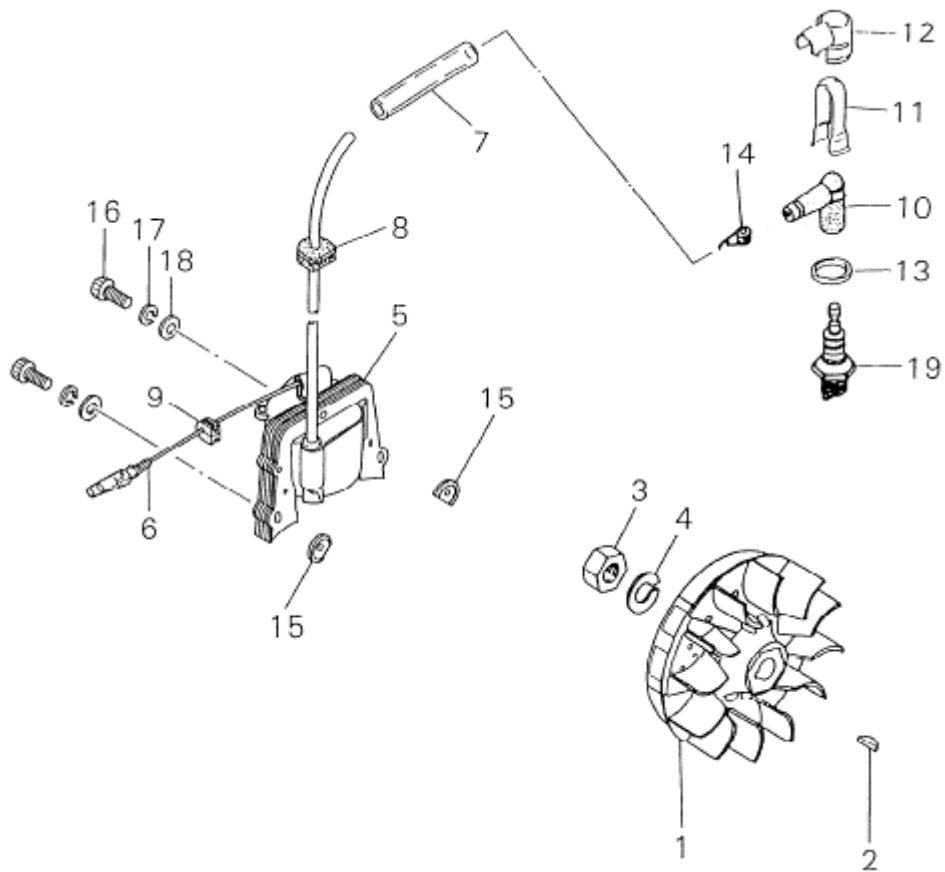
34	01600-05131	SPRINGWASHER	2
35	01613-05080	WASHER	2
24	20011-34100	PROTECTORASSY	1
25	11024-04160	BOLTSLPW	3
26	20011-35110	JOINT	1
27	70012-35130	CAPJOINT	1
28	20011-35141	CLAMPA	1
29	20011-35151	CLAMPB	1
30	01020-05250	BOLT	2
31	01600-05131	SPRINGWASHER	2
32	01610-05080	WASHER	2
33	11022-05200	BOLTSPW	4

Fig. 3



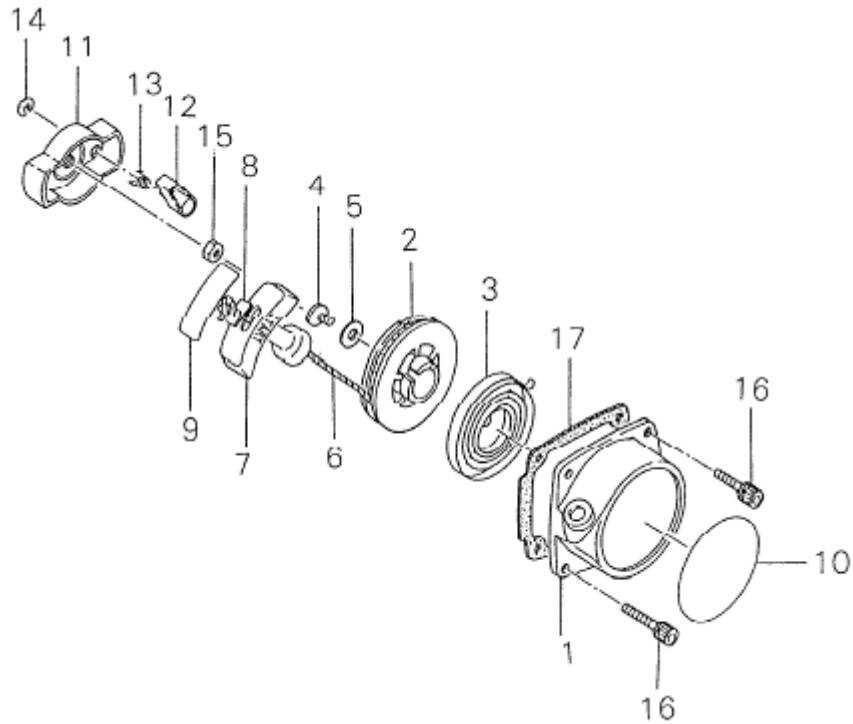
Ref. No	Part No.	Part Name	Q`ty
3- 1	70210-41110	PISTON	1
2	22182-41210	PISTONRING	2
3	22160-41220	PISTONPIN	1
4	22100-41230	SNAPRING	2
5	22160-41240	BEARINGSE	1
6	70210-42000	CRANKSHAFTASSY	1
	70210-51100	CLUTCHSHOEASSY	1
7	20020-51112	*CLUTCHBOSS	1
8	20020-51121	*CLUTCHSHOE	4
9	20020-51131	*SPRING	4
10	20020-51140	*PLATE	1
11	20020-51150	*CLUTCHBOLT	2
12	70210-51160	*SCREWFLAT	2

Fig. 4



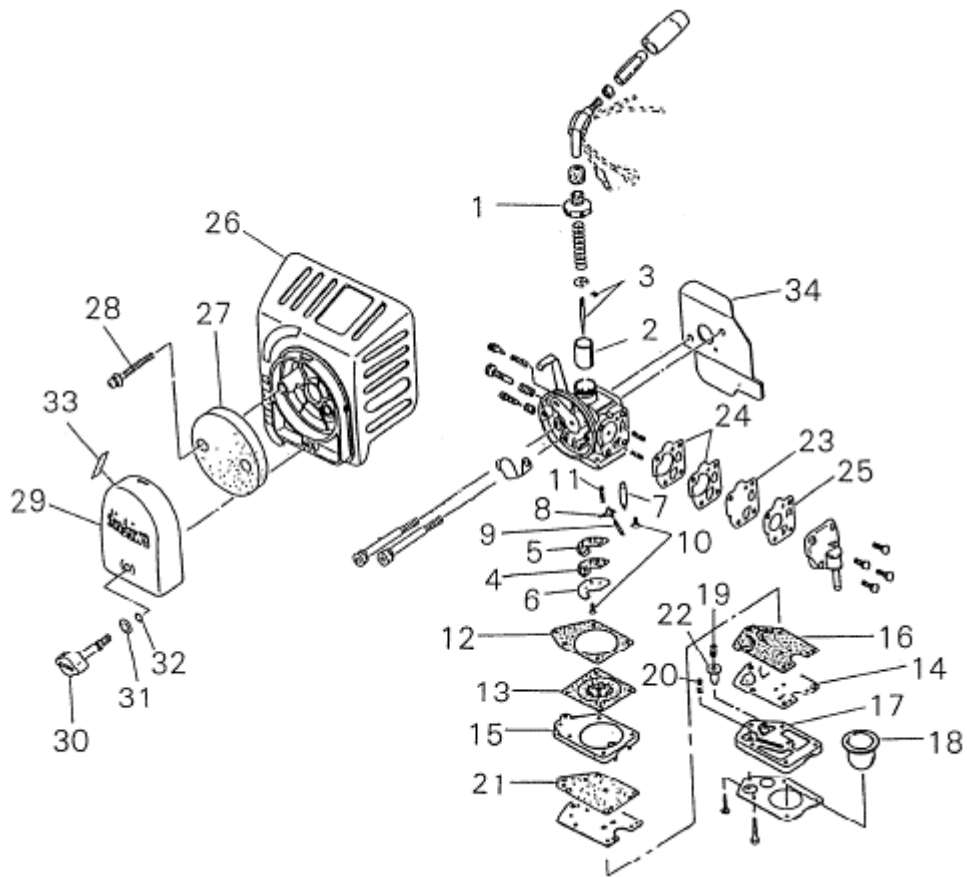
Ref. No	Part No.	Part Name	Q`ty
4- 1	70200-71200	ROTOR	1
2	02403-03100	KEY	1
3	01511-10061	NUT	1
4	01600-10251	SPRINGWASHER	1
5	70200-71610	COIL	1
6	70200-71640	CORD	1
7	20011-71660	TUBE	1
8	20011-72110	GROMMET	1
9	20011-72120	GROMMET	1
10	20010-72221	PLUGCAP	1
11	70180-72260	SHIELD	1
12	20000-72241	PLUGCAPCOVER	1
13	20000-72250	COVERBAND	1
14	20000-72230	SPRINGSPARKPLUG	1
15	20010-71631	SPACERCOIL	2
16	01020-04240	BOLT	2
17	01600-04101	SPRINGWASHER	2
18	20010-71650	WASHER	2
19	13000-13406	SPARKPLUGBMR6A	1

Fig. 5



Ref. No	Part No.	Part Name	Q`ty
5-	70131-75100	RECOILSTARTERSUBASSY	1
1	70131-75110	*STARTERCASE	1
2	70131-75120	*REEL	1
3	20024-75130	*RECOILSPRING	1
4	20035-75170	*SCREW	1
5	70131-75140	*WASHER	1
6	20020-75180	*ROPE	1
7	20010-75190	*STARTERKNOB	1
8	20010-75210	*STOPPER	1
9	20010-75230	*TAPE	1
10	19420-00027	*LABELTRADE	1
	70131-75200	STARTERPULLYASSY	1
11	70131-75211	*STARTERPULLEY	1
12	20024-75220	*RATCHET	1
13	20024-75230	*RETURNSPRING	1
14	20024-75240	*ERING	1
15	20000-76210	NUT	1
16	11022-04160	BOLTSPW	4
17	20020-76110	GASKETSTARTER	1

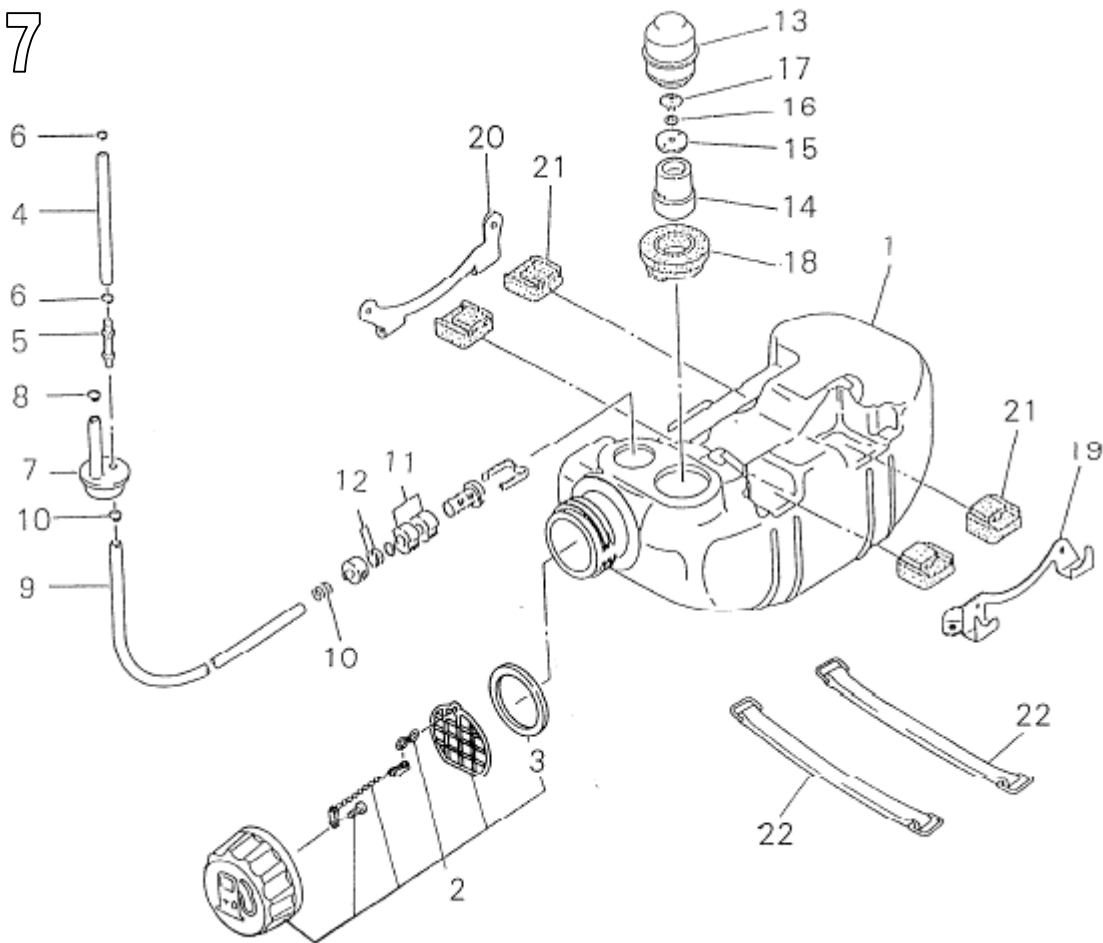
Fig. 6



Ref. No	Part No.	Part Name	Q`ty
6-	70210-81021	CARBURETORBODYSUBASSY	1
1	20055-81120	*BODYCAP	1
2	70131-81180	*THROTTLEVALVE	1
3	70200-81170	*JETNEEDLE	1
4	20087-81411	*CHECKVALVE	1
5	20087-81420	*PACKING	1
6	70200-81430	*PLATE	1
7	20000-81441	*NEEDLEVALVE	1
8	20011-81451	*LEVER	1
9	20011-81460	*PIN	1
10	20011-81470	*SCREW	2
11	20040-81430	*SPRING	1
12	20087-81510	*GASKET	1
13	20087-81520	*DIAPHRAGM	1
14	20087-81540	*GASKET	1
15	20087-81550	*COVER	1
16	20087-81571	*CHECKVALVE	1
17	20087-81811	*PUMPBASE	1
18	20087-81820	*PUMP	1
19	20087-81851	*SPRING	1
20	20087-81870	*SPRING	1
21	20087-81890	*PACKING	1
22	20087-81861	*VALVE	1
23	20011-81621	*DIAPHRAGM	1

24	20011-81630	*GASKET	2
25	20087-81660	*PUMPVALVE	1
26	70102-81710	CLEANERBODY	1
27	20056-81740	FILTER	1
28	11260-04250	SCREWPMSLPW	2
29	20060-81770	CLEANERCOVER	1
30	20060-81781	KNOBCLEANERCOVER	1
31	20024-81790	CONEWASHER	1
32	22100-82430	ORING	1
33	19404-00008	LABELCHOKE	1
34	20021-83411	GASKETCARBURETOR	1

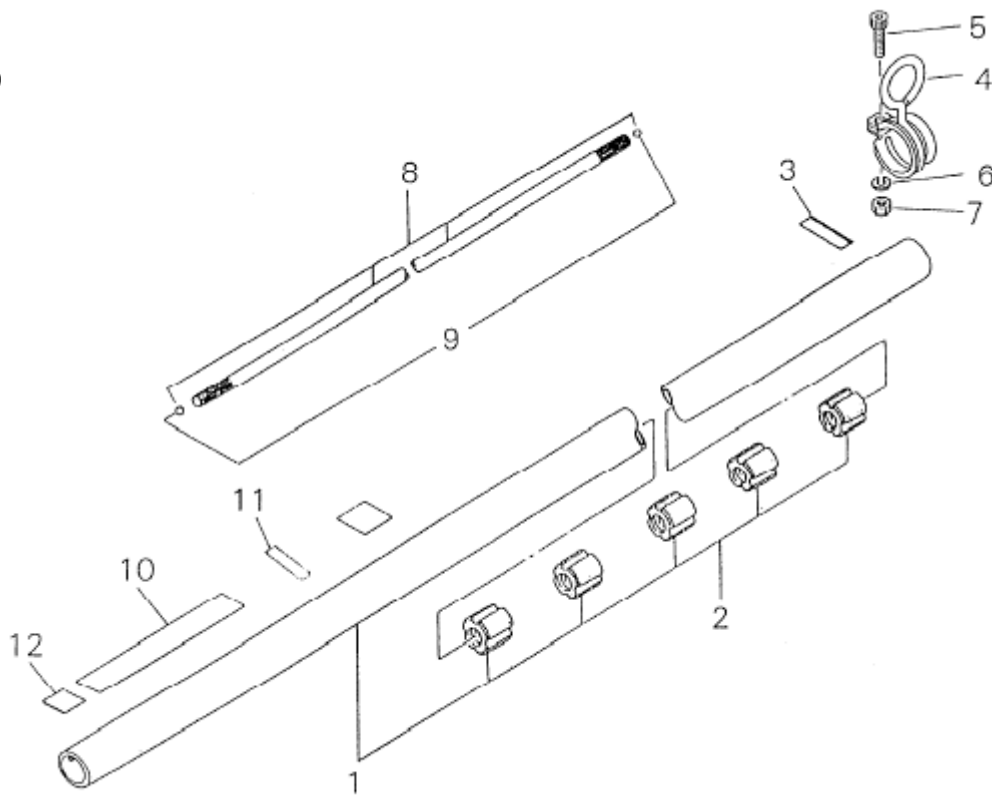
Fig. 7



Ref. No	Part No.	Part Name	Q`ty
7- 1	70200-85110	FUELTANK	1
2	70168-85201	FUELCAPASSY	1
3	20000-85221	*GASKET	1
4	70200-85310	FUELPIPE	1
5	72935-85330	JOINT	1
6	20020-85540	CLIP	2
7	70200-85350	GROMMET	1
8	20020-85540	CLIP	1
9	70200-85320	FUELPIPE	1
10	20020-85540	CLIP	2
	22169-35400	FUELFILTERSUBASSY	1
11	22169-35420	*FILTER	2
12	22118-85460	*SCREEN	2
	20000-85500	BREATHERSUBASSY	1
13	20000-85511	*CAPBREATHER	1
14	20000-85521	*HOLDERVALVE	1
15	22100-85240	*RETAINERFUEL	1
16	22100-85250	*WASHERFUEL	1
17	22100-85260	*VALVEFUEL	1
18	20000-85579	GROMMETBREATHER	1
19	20021-86110	BRACKETS	1
20	20011-86120	BRACKETM	1

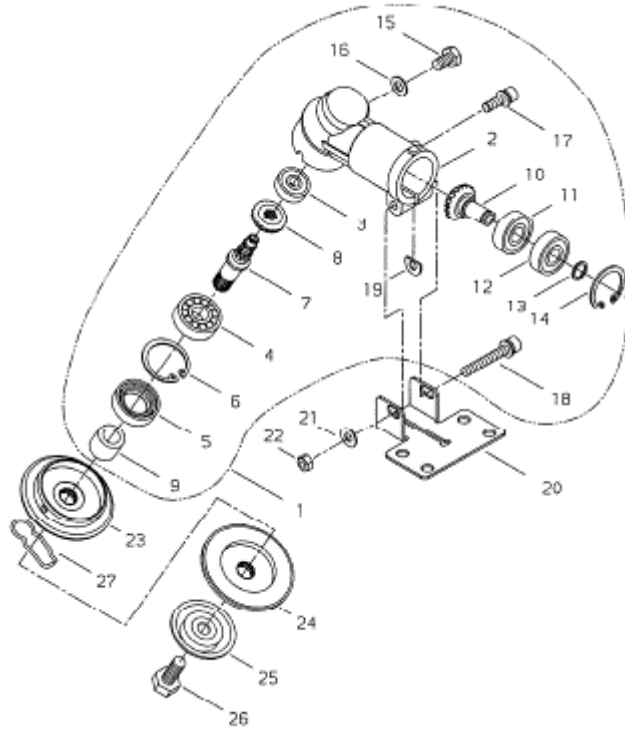
21	20010-86130	CUSHION	4
22	20010-86140	BAND	2

Fig. 8



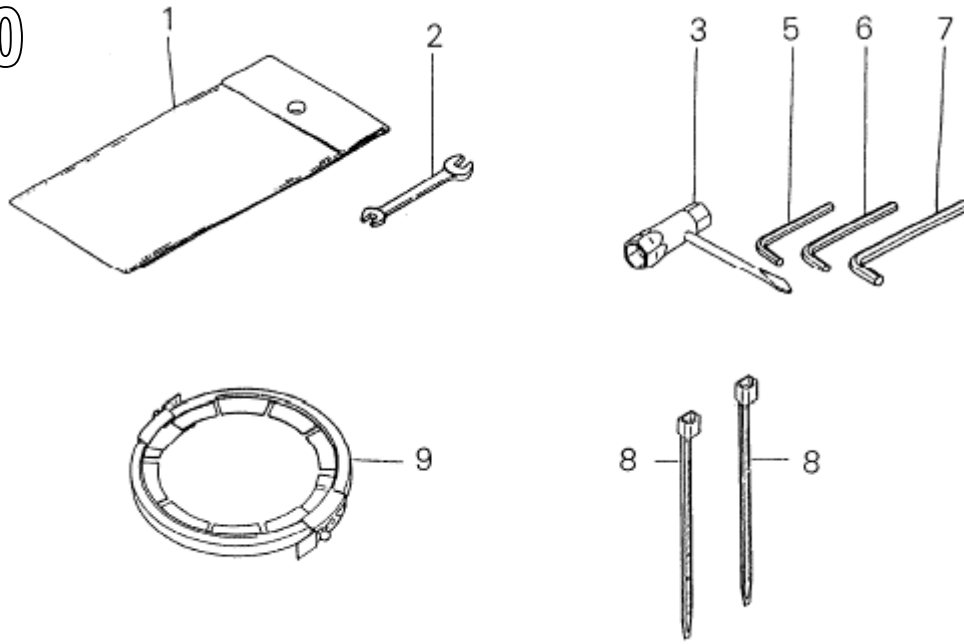
Ref. No	Part No.	Part Name	Q`ty
8- 1	72551-12101	OUTERPIPESUBASSY	1
2	22021-12120	*BUSHING	5
3	72005-12140	*CAUTIONPLATE	1
11	72017-12150	*HANDLELABEL	1
4	22017-12210	HANGER	1
5	01020-05120	BOLT	1
6	01600-05131	SPRINGWASHER	1
7	01500-05041	NUT	1
8	72550-12400	MAINSHAFTSUBASSY	1
9	22021-12420	*STOPPER	2
10	19422-00010	LABELCAUTION	1
12	19402-00223	LABELCAUTION	1

Fig. 9

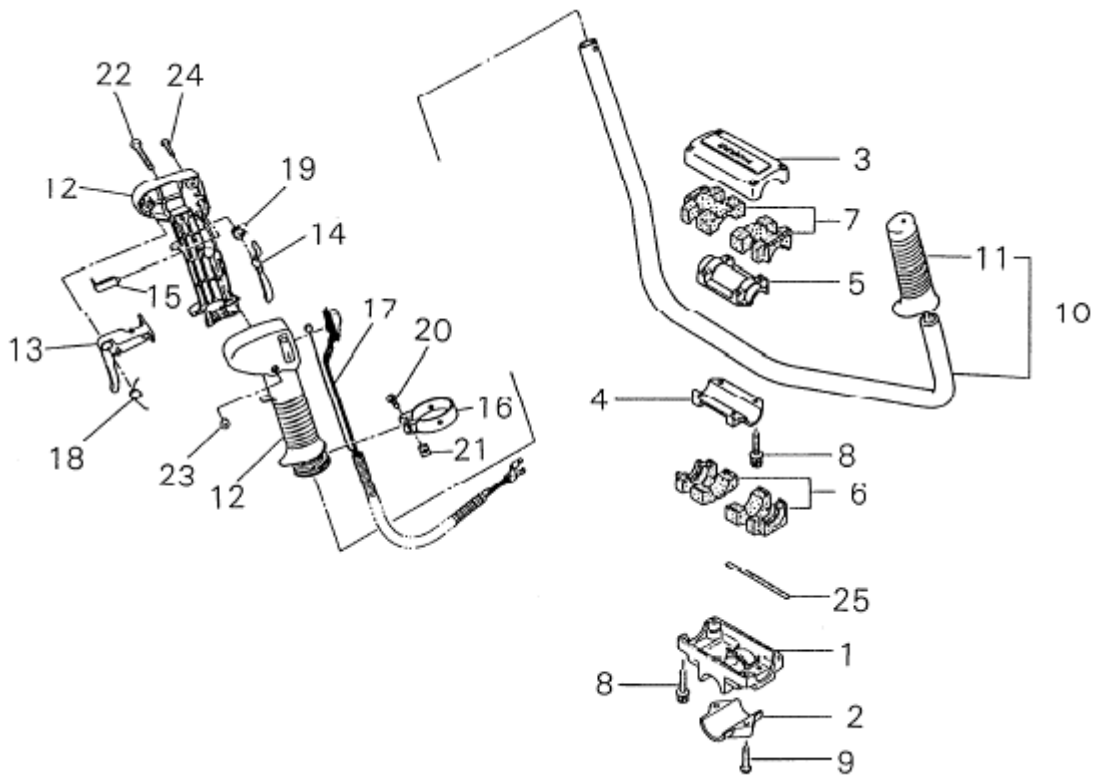


Ref. No	Part No.	Part Name	Q`ty
9- 1	63020-63020	GEARCASESUBASSY	1
2	63020-63110	*GEARCASE	1
3	02006-06000	*BEARING	1
4	02000-06202	*BEARING	1
5	72447-13121	*OILSEAL	1
6	02432-35150	*SNAPRING	1
7	63019-63130	*GEARSHAFT	1
8	22015-13220	*BEVELGEAR	1
9	22015-13230	*COLLAR	1
10	22021-13390	*PINIONSET	1
11	02000-06001	*BEARING	1
12	02002-06001	*BEARING	1
13	20000-31140	*SNAPRING	1
14	02432-28120	*SNAPRING	1
15	22015-13410	*BOLT	1
16	22015-13420	*GASKET	1
17	11022-06400	*BOLTSPW	1
18	11022-06140	*BOLTSPW	1
19	22011-13450	*SHIM	1
20	72017-16130	LOWERCLAMP	1
21	01613-06100	WASHER	1
22	01500-06051	NUT	1
23	22015-13241	HOLDERA	1
24	22015-13251	HOLDERB	1
25	22015-13270	BOLTGUARD	1
26	22015-13261	BOLT	1
27	22015-13290	SLIDEPIN	1

Fig. 10



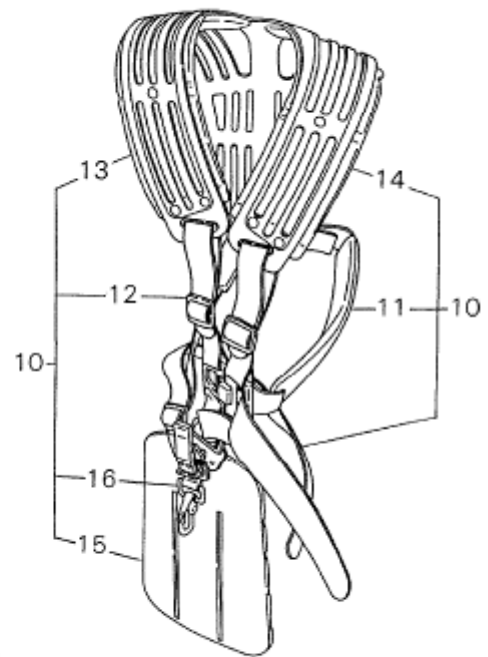
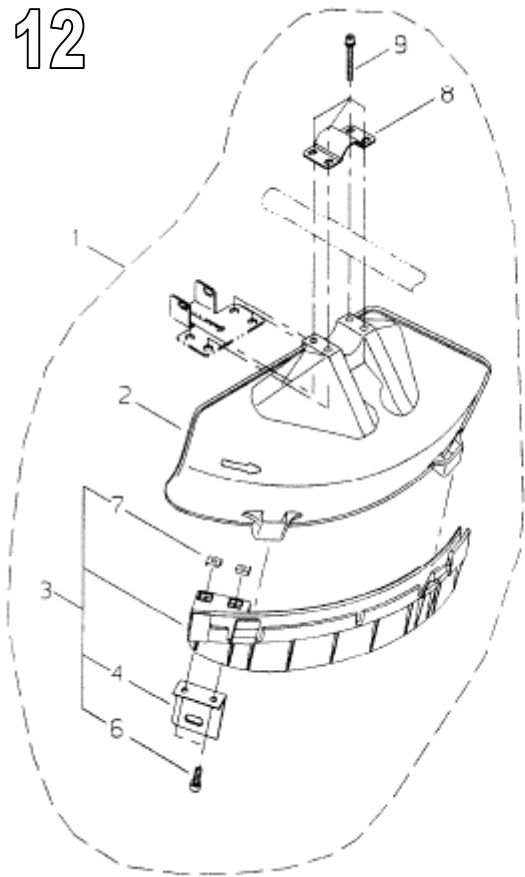
Ref. No	Part No.	Part Name	Q`ty
10-	72547-91100	TOOLSET	1
1	19639-01700	*TOOLBAG	1
2	22000-91120	*SPANNER	1
3	72518-91180	*WRENCH17X19	1
5	09026-03001	*HEXAWRENCH	1
6	09026-04001	*HEXAWRENCH	1
7	09026-05001	*HEXAWRENCH	1
8	72431-12190	BAND	2
9	22550-92310	BLADECOVER	1



Ref. No	Part No.	Part Name	Q`ty
11-	64008-64020	BRACKETSUBASSY	1
1	72555-14110	*HANDLEBRACKET	1
2	72555-14120	*LOWERCAP	1
3	72555-14130	*UPPERCAP	1
4	22015-14140	*LOWERCLAMP	1
5	22015-14150	*UPPERCLAMP	1
6	22015-14160	*LOWERCUSHION	2
7	22015-14170	*UPPERCUSHION	2
8	11022-05250	*BOLTSPW	8
9	11210-06250	*SCREWBUTTON	2
25	72514-14190	EARTHCORD	1
10	72540-14201	HANDLESUBASSY	1
11	72451-14320	*GRIP	1
	72451-14502	THROTTLELEVERASSY	1
12	72451-14600	*BODYSUBASSY	1
13	72451-14530	*LEVER	1
14	72451-14540	*LOCKLEVER	1
15	72451-14550	*BUTTON	1
16	72451-14560	*CLAMP	1
17	72451-14570	*THROTTLECABLECOMP	1
18	72451-14580	*RETURNSPRING	1
19	72451-14590	*SPRING	1
20	01020-06200	*BOLT	1
21	72451-14610	*NUT	1
22	11203-05351	*SCREWPM	1
23	72451-14630	*NUT	1

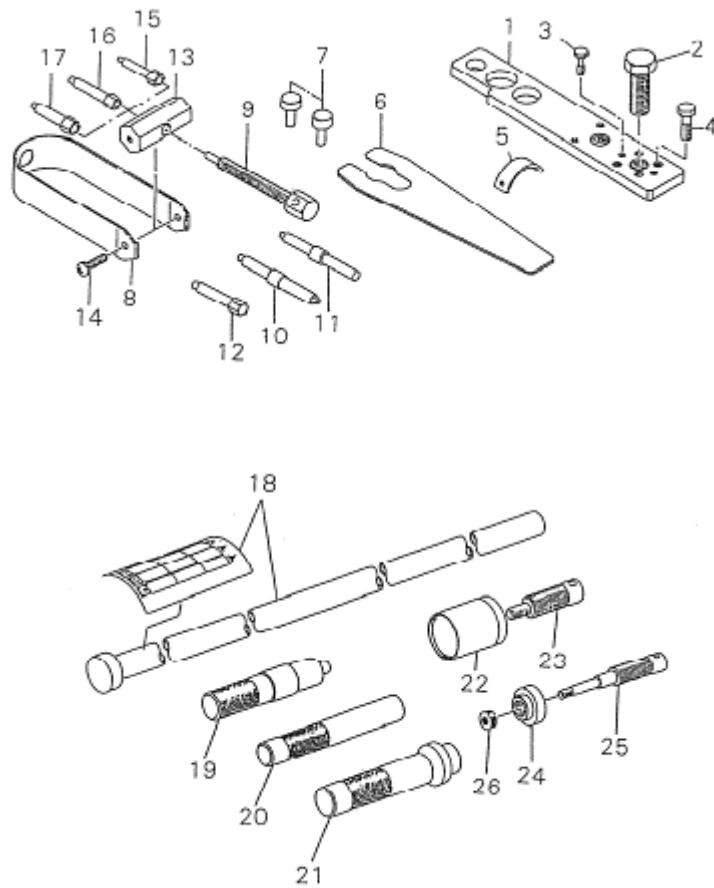
24	72451-14620	*SCREWTAPPING	1
----	-------------	---------------	---

Fig. 12



Ref. No	Part No.	Part Name	Q`ty
12- 1	64008-66310	GUARDSET	1
2	62903-66110	*GUARD	1
3	62903-66331	*SUBGUARDASSY	1
4	72480-16121	**CUTTER	1
6	11020-05160	**BOLT SW	2
7	22420-16120	**NUT	2
8	72480-16210	*UPPERCLAMP	1
9	11022-05450	*BOLTSPW	4
10	72451-17203	HARNESSASSY	1
11	22007-17220	*PROTECTOR	1
12	72451-17230	*BUCKLE	4
13	72451-17241	*PADRIGHT	1
14	72451-17251	*PADLEFT	1
15	72451-17262	*PAD	1
16	72451-17271	*HOOK	1

Fig. 13



Ref. No	Part No.	Part Name	Q`ty
13-	20000-96104	PULLERASSY	1
1	20000-96114	*LEVER	1
2	22100-96121	*CENTERBOLT	1
3	20000-96130	*BOLT	3
4	20000-96140	*BOLT	2
5	20000-96210	AIRGAPGAUGE	1
6	20000-96411	ROTORSPANNER	1
7	20021-96420	STOPPER	2
	20021-96601	PULLERASSY	1
8	20021-96611	*PULLER	1
9	20021-96621	*BOLT	1
12	20021-96630	*GUIDEPIN	1
13	20000-96640	*BOSS	1
14	01211-06120	*SCREWSW	2
15	20021-96650	*PINADAPTER	1
16	20021-96660	*PINADAPTER	1
17	20021-96670	*PINADAPTER	1
	22000-96101	RODBUSHINGASSY	1
19	22015-96210	ROD	1
20	22015-96310	ROD	1
21	22015-96410	ROD	1
	22015-96500	PULLERASSY	1
22	22015-96510	*HOLDER	1
23	22015-96520	*BOLT	1

	22015-96600	PULLERASSY	1
24	22015-96610	*HOLDERA	1
25	22000-96621	*BOLT	1
26	22000-96630	*NUT	1