

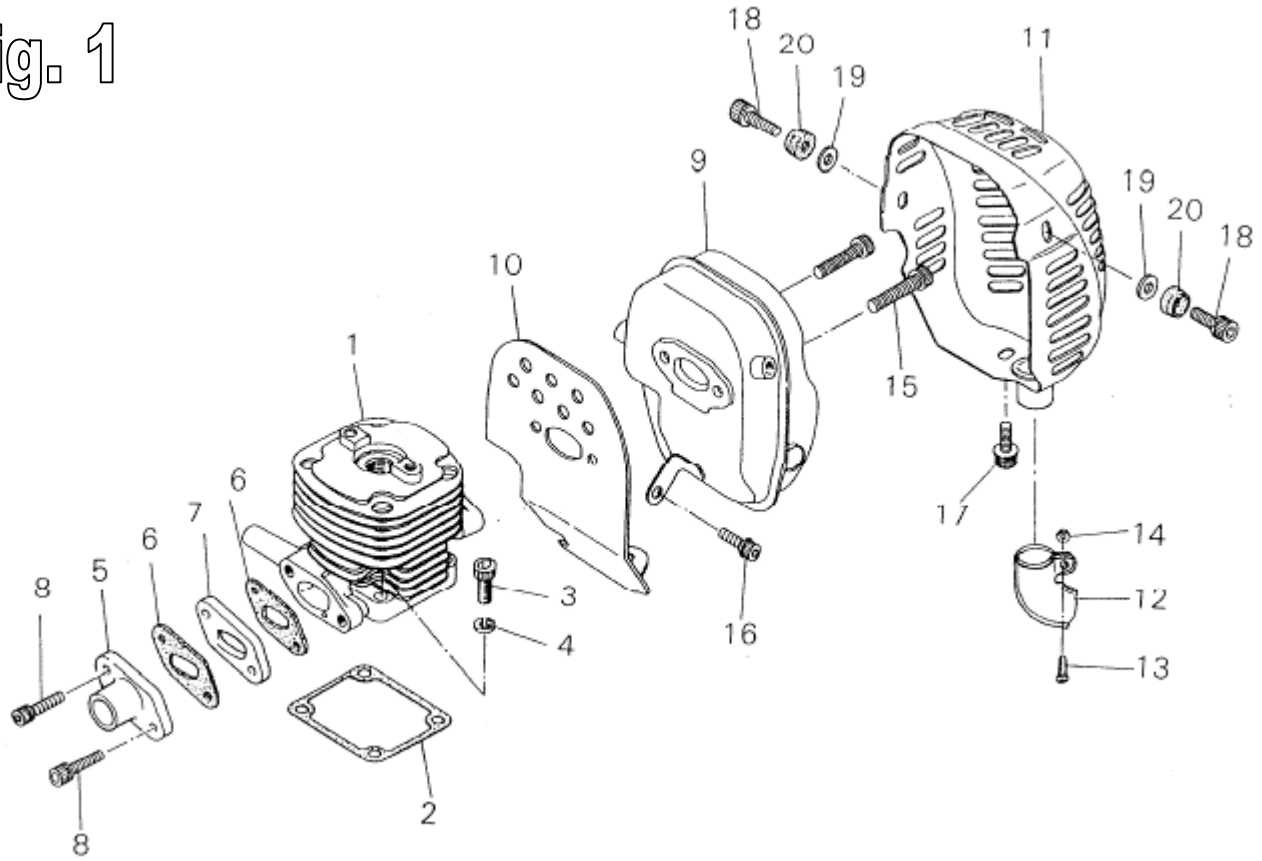
shindaiwa

Decespugliatore
a zaino

BP 45

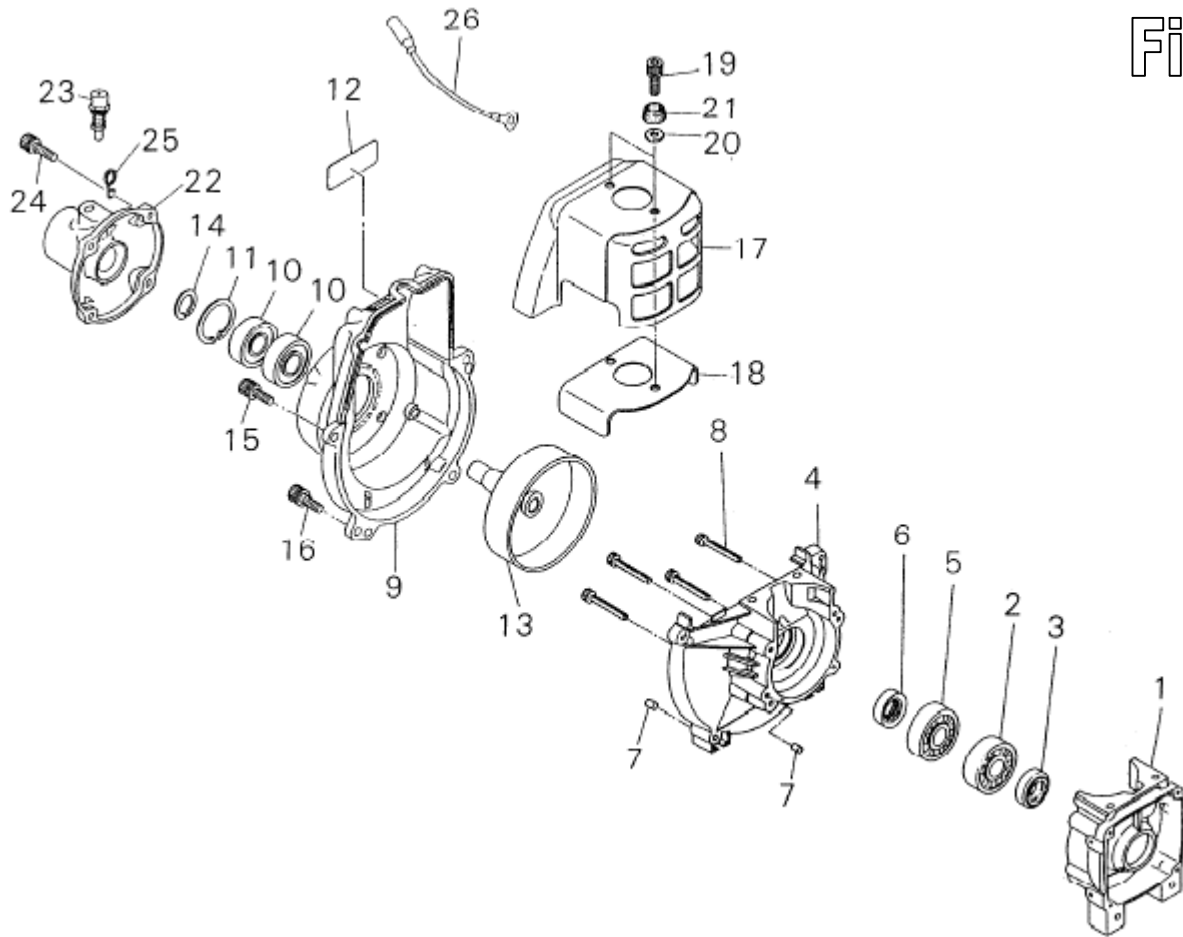
Motore da matr. 3020209

Fig. 1



Ref. No	Part No.	Part Name	Q`ty
1- 1	70198-12110	CYLINDER	1
2	20010-12120	GASKETCYLINDER	1
3	01020-05250	BOLT	4
4	01600-05131	SPRINGWASHER	4
5	20051-12211	INLETPipe	1
6	20051-12220	GASKETINSULATOR	2
7	20051-12230	INSULATOR	1
8	11022-05250	BOLTSPW	2
9	70199-15110	MUFFLER	1
10	70210-15212	GASKET	1
11	70199-15312	MUFFLERGUARD	1
12	20050-15410	TAILPIPE	1
13	11203-04100	SCREWPM	1
14	01500-04031	NUT	1
15	01020-06250	BOLT	2
16	11024-05120	BOLTSLPW	1
17	11024-05100	BOLTSLPW	1
18	11020-05100	BOLT SW	2
19	70196-32150	WASHER	2
20	70196-32160	COVER	2

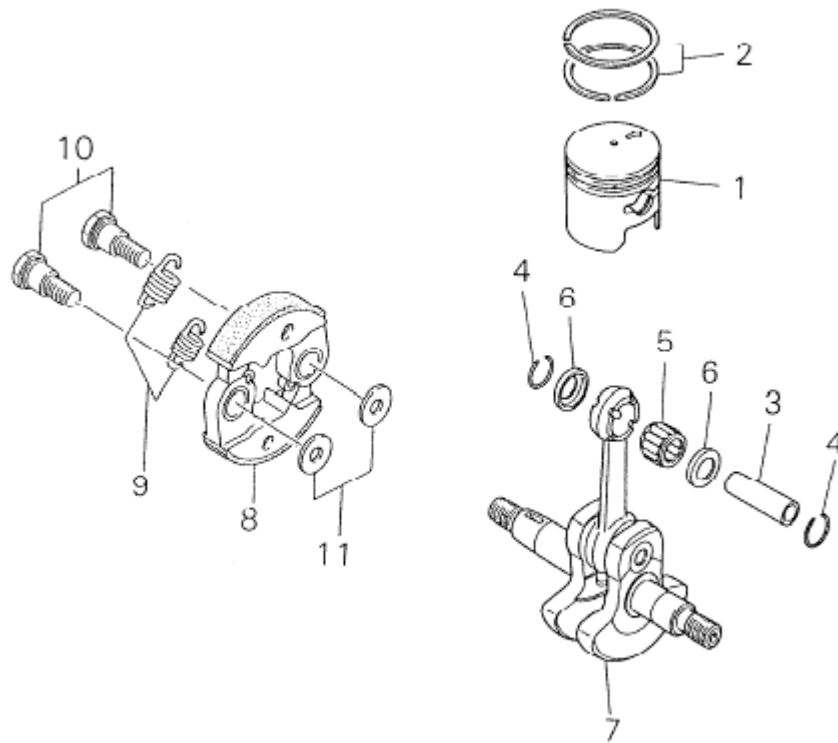
Fig. 2



Ref. No	Part No.	Part Name	Q`ty
2-	20051-21100	CRANKCASESCOMP	1
1	20051-21110	*CRANKCASES	1
2	12900-62020	*BEARING	1
3	20010-21211	*OILSEAL	1
	20051-21200	CRANKCASEMCOMP	1
4	70012-21121	*CRANKCASEM	1
5	12900-62020	*BEARING	1
6	20010-21211	*OILSEAL	1
7	12492-50100	*DOWELPIN	4
8	01020-05300	BOLT	4
9	70012-31111	FANCOVER	1
10	02006-06002	BEARING	2
11	02432-32120	SNAPRING	1
12	70112-31150	NAMEPLATE	1
13	20050-31210	CLUTCHDRUM	1
14	20011-31230	SNAPRING	1
15	11022-05200	BOLTSPW	2
16	11022-05350	BOLTSPW	2
17	70196-32110	CYLINDERCOVER	1
18	70196-32141	GASKET	1
19	11020-05140	BOLTSW	2
20	70196-32150	WASHER	2
21	70196-32160	COVER	1

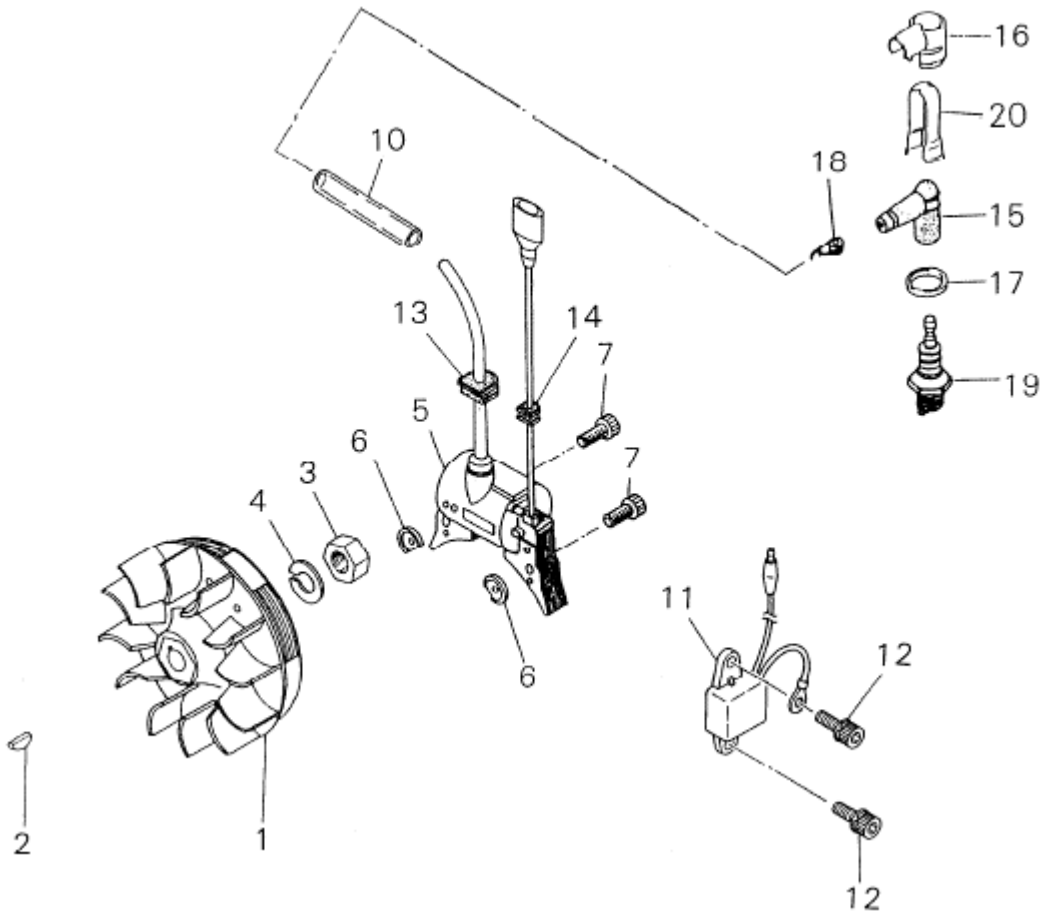
22	20051-35130	JOINTCASE	1
23	20112-35200	PINCOMP	1
24	11022-05200	BOLTSPW	4
25	20024-83152	CABLEHOLDER	1
26	70056-83140	EARTHCORDB	1

Fig. 3



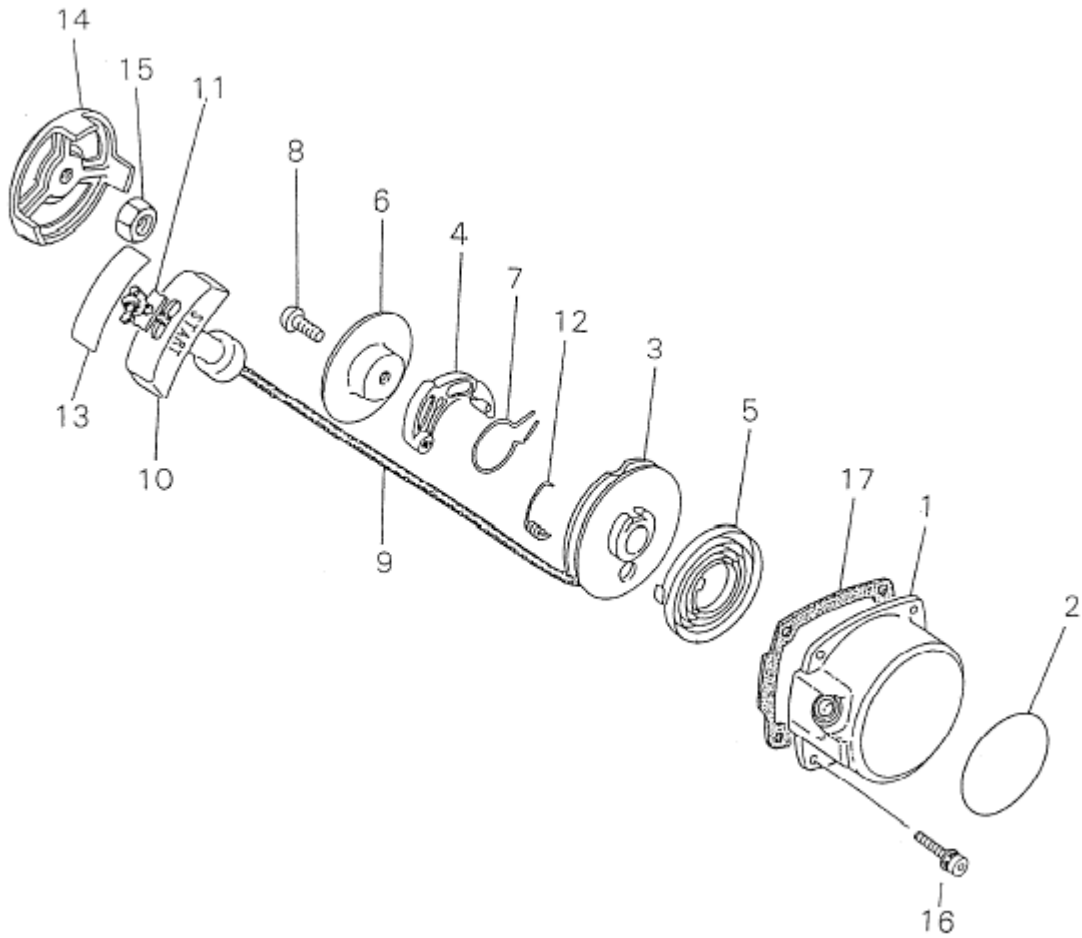
Ref. No	Part No.	Part Name	Q`ty
3- 1	20021-41112	PISTON	1
2	20021-41210	PISTONRING	2
3	20021-41311	PISTONPIN	1
4	22152-41231	SNAPRING	2
5	20021-41330	BEARINGSE	1
6	20021-41341	THRUSTWASHER	2
7	20021-42002	CRANKSHAFTASSY	1
	20050-51102	CLUTCHSHOEASSY	1
8	20050-51111	*CLUTCHSHOE	2
9	20050-51121	*CLUTCHSPRING	2
10	20010-51130	*CLUTCHBOLT	2
11	20010-51141	*WASHER	2

Fig. 4



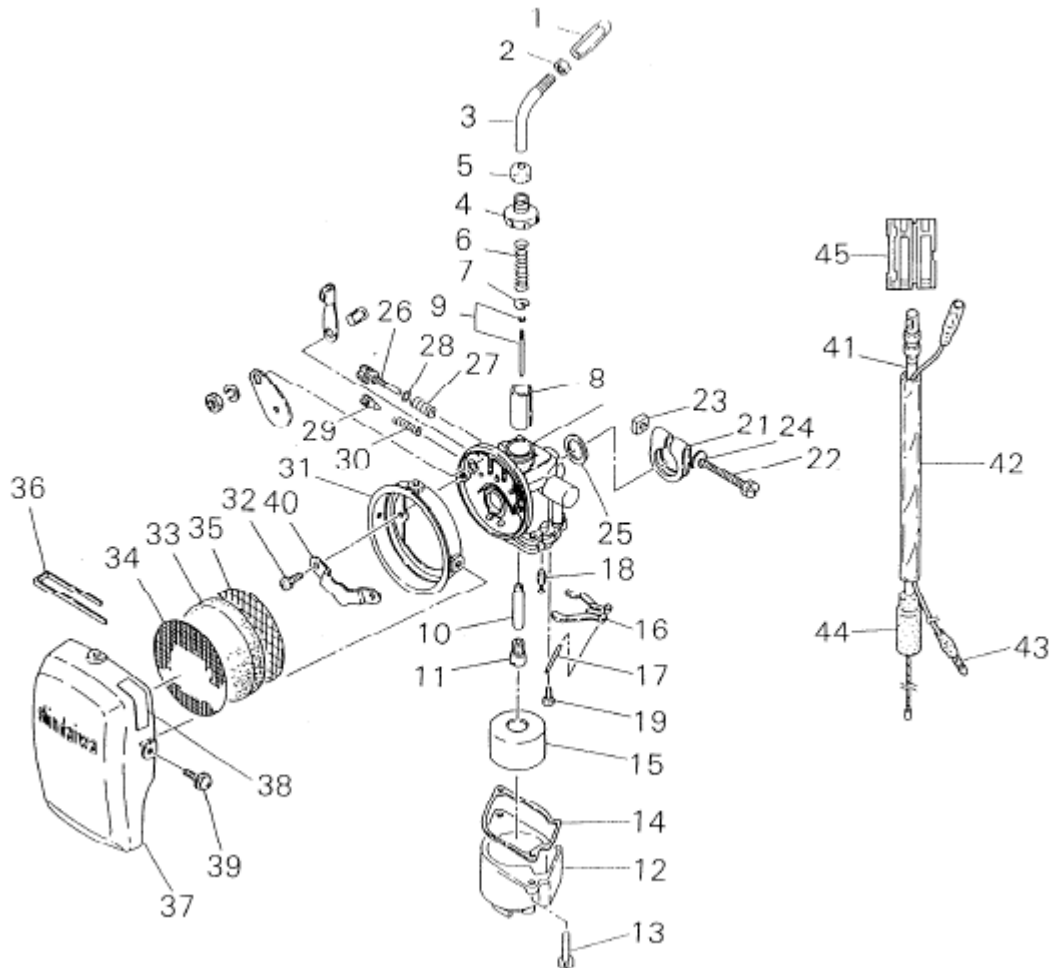
Ref. No	Part No.	Part Name	Q`ty
4- 1	20010-71201	ROTOR	1
2	02403-03100	KEY	1
3	01511-10061	NUT	1
4	01600-10251	SPRINGWASHER	1
5	20011-71611	COIL	1
6	20010-71631	SPACERCOIL	2
7	11024-04261	BOLTSLPW	2
10	20011-71660	TUBE	1
11	72920-71711	UNIT	1
12	11024-04120	BOLTSPW	2
13	20011-72110	GROMMET	1
14	20011-72120	GROMMET	2
15	20010-72221	PLUGCAP	1
16	20000-72241	PLUGCAPCOVER	1
17	20000-72250	COVERBAND	1
20	70180-72260	SHIELD	1
18	20000-72230	SPRINGSPARKPLUG	1
19	13000-13406	SPARKPLUGBMR6A	1

Fig. 5



Ref. No	Part No.	Part Name	Q`ty
5-	70020-75100	RECOILSTARTERSUBASSY	1
1	70020-75110	*STARTERCASE	1
2	70020-75240	*NAMEPLATE	1
3	20020-75120	*REEL	1
4	20000-75130	*RATCHET	1
5	20020-75140	*RECOILSPRING	1
6	20000-75150	*PLATEFRICTION	1
7	20000-75160	*SPRINGFRICTION	1
8	20000-75170	*SCREW	1
9	20020-75180	*ROPE	1
10	20010-75190	*STARTERKNOB	1
11	20010-75210	*STOPPER	1
12	20000-75220	*RETURNSPRING	1
13	20010-75230	*TAPE	1
14	70000-75230	STARTERPULLEY	1
15	20000-76210	NUT	1
16	11022-04160	BOLTSPW	4
17	20020-76110	GASKETSTARTER	1

Fig. 6

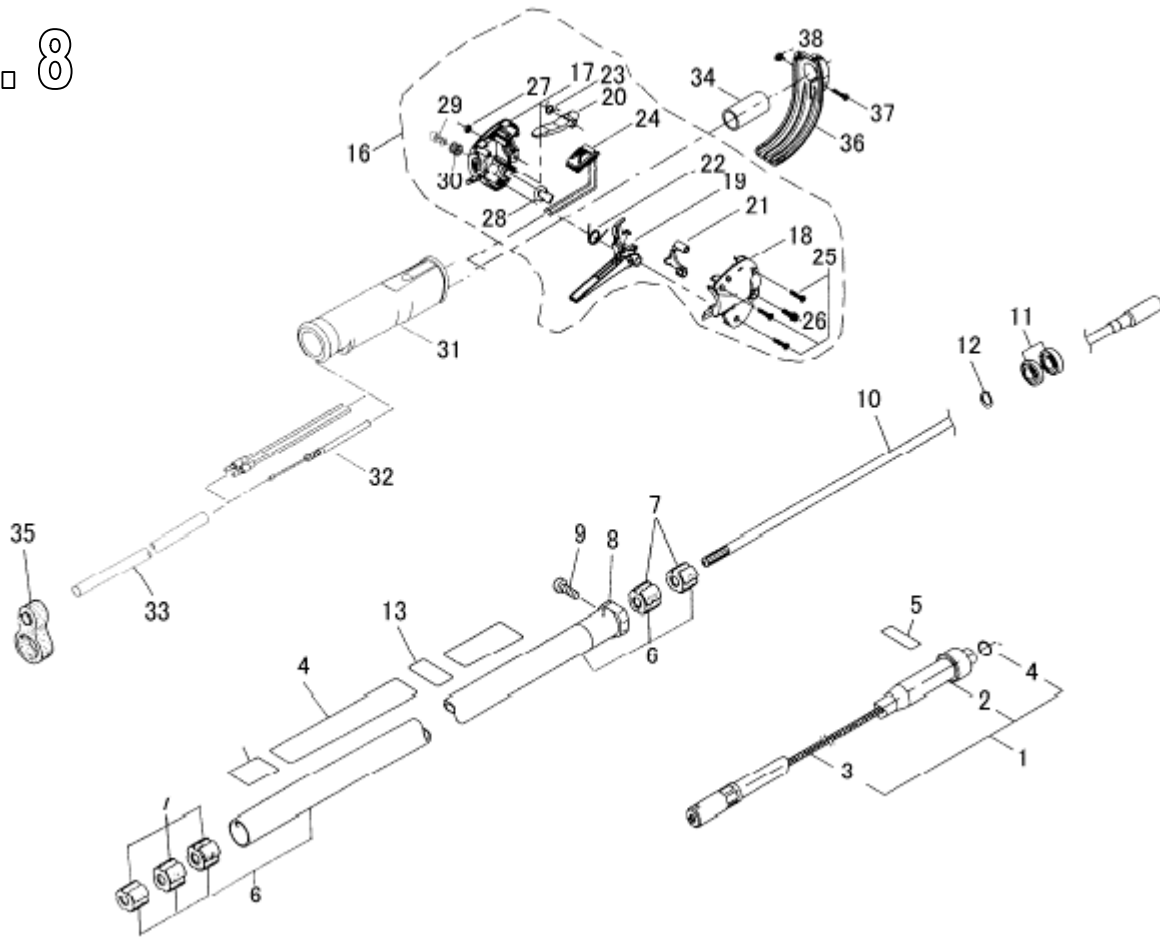


Ref. No	Part No.	Part Name	Q`ty
6-	70167-81020	CARBURETORSUBASSY	1
1	20055-81810	*CABLEADJUSTER	1
2	20000-81260	*LOCKNUT	1
3	20055-81830	*ADJUSTPIPE	1
4	20055-81120	*BODYCAP	1
5	20055-81130	*CAP	1
6	20003-81140	*THROTTLESPRING	1
7	20000-81150	*SPRINGRECEIVE	1
8	70112-81180	*THROTTLEVALVE	1
9	20055-81212	*JETNEEDLE	1
10	20055-81232	*NEEDLEJET	1
11	20045-81240	*MAINJET	1
12	20051-81311	*FLOATCHAMBER	1
13	20014-81320	*SCREW	2
14	20014-81330	*PACKING	1
15	20014-81340	*FLOAT	1
16	20014-81350	*FLOATHINGE	1
17	20014-81360	*HINGEPIN	1
18	20014-81381	*NEEDLEVALVE	1
19	20014-81390	*SCREW	1
21	20014-81510	*BAND	1
22	20014-81521	*BANDBOLT	1
23	20014-81530	*NUT	1

24	20014-81540	*WASHER	1
25	20010-81570	*FLANGEPACKING	1
26	20014-81810	*SLOWSTOPSCREW	1
27	20010-81820	*ADJUSTSPRING	1
28	20014-81830	*ORING	1
29	20000-81330	*SLOWAIRSCREW	1
30	20000-81340	*SPRING	1
31	20010-81711	CLEANERBODY	1
32	20000-81730	SCREW	2
33	20000-81740	FILTER	1
34	20000-81750	NETA	1
35	20010-81760	NETB	1
36	20010-81781	SPRINGNET	1
37	20010-81771	CLEANERCOVER	1
38	19404-00008	LABELCHOKE	1
39	20000-81735	SCREW	3
40	20014-81790	PLATE	1
41	70056-83200	THROTTLECABLEB	1
42	20020-83120	PIPE	1
43	70056-83130	EARTHCORDA	1
44	20005-83160	CABLECAP	1
45	70056-83190	CONNECTOR	1

21	70199-86200	BANDASSY	1
22	22044-17230	*PROTECTOR	2
23	20051-86320	JOINTBAND	1
24	01215-06140	SCREWTRUSS	2
25	22011-97840	LOCKNUT	2
26	20050-87110	BRACKETA	1
27	20050-87120	BRACKETB	1
28	20050-87131	RETAINER	1
29	02002-06005	BEARING	1
30	11206-05100	SCREWPMSPW	3
31	02430-25120	SNAPRING	1
32	20050-87150	STOPCUSHION	1
33	20050-87160	CUSHION	3
34	20050-87170	MOUNTHOLDER	3
35	11206-05100	SCREWPMSPW	3
36	01500-05041	NUT	3
37	01600-05131	SPRINGWASHER	1
38	20051-87210	EARTHCORD	1
39	11526-05112	FLANGENUT	2
40	11020-05120	BOLTSW	2
41	20020-86140	BAND	2

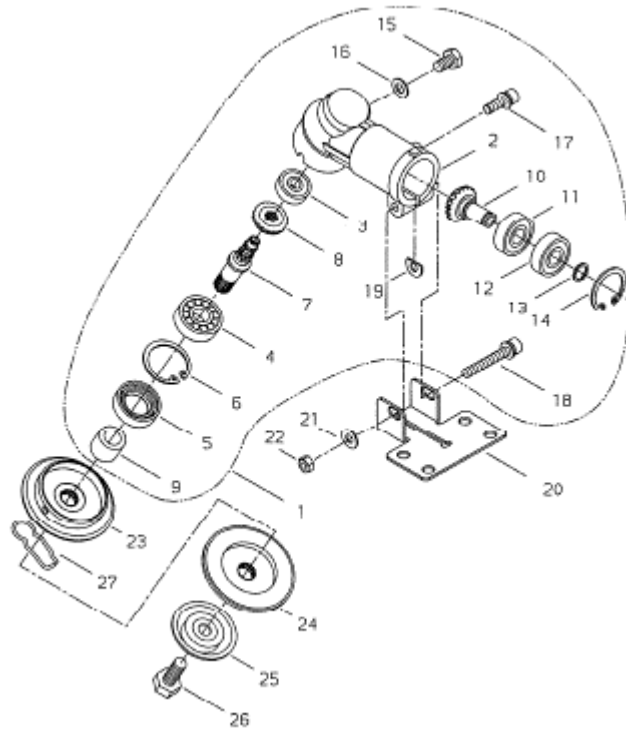
Fig. 8



Ref. No	Part No.	Part Name	Q`ty
8- 1	72517-61010	FLEXIBLEASSY	1
2	72517-61110	FLEXIBLEPIPE	1
3	72517-11121	*FLEXIBLESHAFT	1
4	22056-11140	*ORING	1
5	72051-11150	CAUTIONPLATE	1
6	72517-12100	OUTERPIPESUBASSY	1
7	22000-12120	*BUSHING	5
8	72517-12130	JOINTPIPE	1
9	22056-12340	SCREW	1
10	72517-12410	MAINSHAFT	1
11	02002-06900	BEARING	2
12	02430-10100	SNAPRING	1
13	72017-12150	HANDLELABEL	1
14	19422-00010	LABELCAUTION	1
15	19402-00223	LABELCAUTION	1
16	72517-62310	THROTTLELEVERASSY	1
17	63000-62340	*BODYRIGHT	1
18	63000-62350	*BODYLEFT	1
19	63002-62340	*LEVER	1
20	63901-62352	*LOCKLEVER	1
21	63002-62350	*HOLDER	1
22	63880-65350	*COILSPRING	1
23	63901-62370	*COILSPRING	1

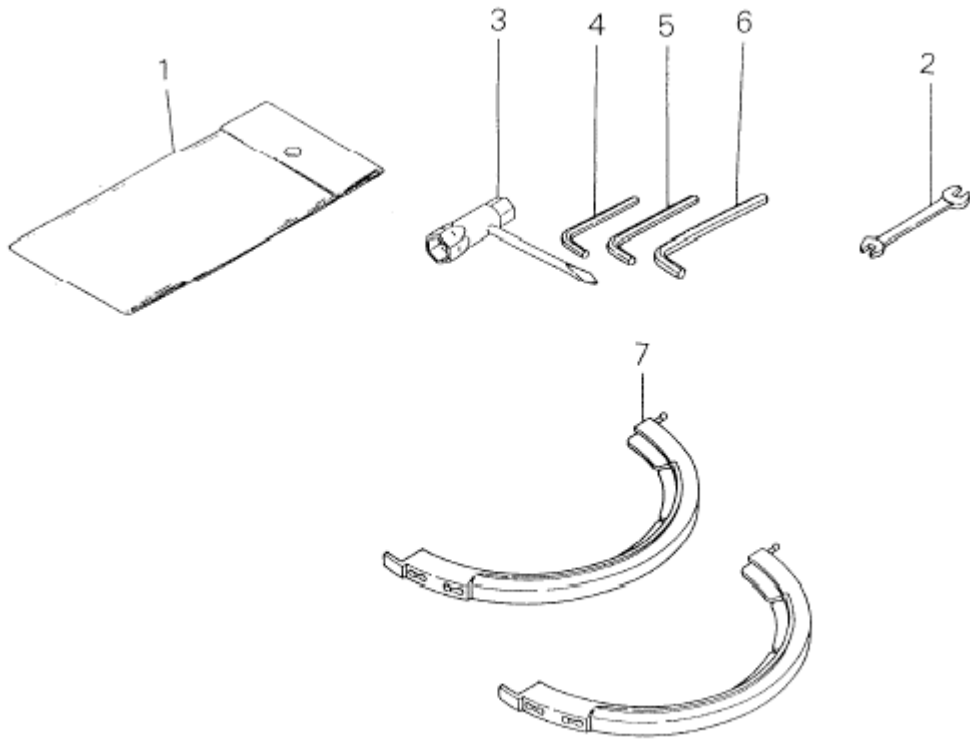
24	72517-62350	*SWITCH	1
25	63880-65360	*SCREWTAPPING	3
26	11206-05201	*SCREWPMSPW	1
27	01501-05030	*NUT	1
28	63880-65411	*PLUG	1
29	70871-65170	*BUTTON	1
30	70871-65180	*COILSPRING	1
31	63043-62140	GRIP	1
32	72517-62170	THROTTLECABLE	1
33	72517-62320	PIPE	1
34	63000-62310	PROTECTOR	1
35	20079-83140	CABLEHOLDER	1
36	72517-62341	GUARD	1
37	11206-05250	SCREWPMSPW	1
38	01500-05041	NUT	1

Fig. 9



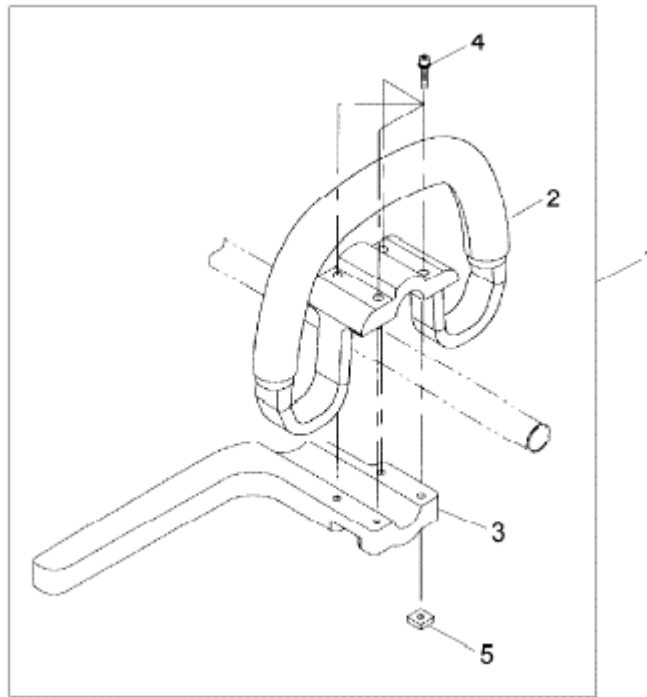
Ref. No	Part No.	Part Name	Q`ty
9- 1	63000-63020	GEARCASECOMP	1
2	22024-13112	*GEARCASE	1
3	02046-00609	*BEARING	1
4	02000-06201	*BEARING	1
5	22024-13121	*OILSEAL	1
6	02432-32120	*SNAPRING	1
7	72435-13210	*GEARSHAFT	1
8	22024-13220	*BEVELGEAR	1
9	22000-13230	*COLLAR	1
10	22024-13391	*PINIONSET	1
11	02000-06901	*BEARING	1
12	02002-06901	*BEARING	1
13	20000-31140	*SNAPRING	1
14	02432-24120	*SNAPRING	1
15	22015-13410	*BOLT	1
16	22015-13420	*GASKET	1
17	11022-05160	*BOLTSPW	1
18	11022-06400	*BOLTSPW	1
19	22011-13450	*SHIM	1
20	72441-16130	LOWERCLAMP	1
21	01613-06100	WASHER	1
22	01500-06051	NUT	1
23	22024-13912	HOLDERA	1
24	72435-13920	HOLDERB	1
25	22024-13291	BOLTGUARD	1
26	22000-13512	BOLT	1
27	22000-13530	SLIDEPIN	1

Fig. 10



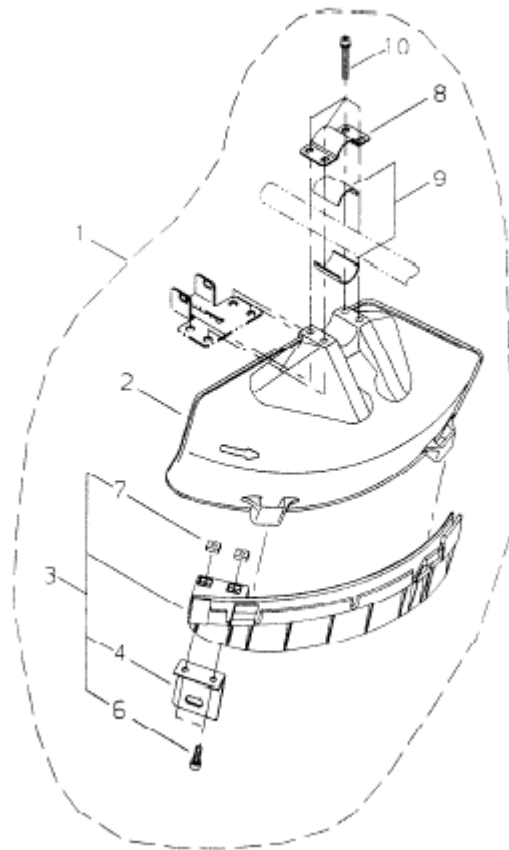
Ref. No	Part No.	Part Name	Q`ty
10-	72512-91000	TOOLSET	1
1	19639-01400	*TOOLBAG	1
2	22000-91120	*SPANNER	1
3	22000-91181	*PLUGWRENCH	1
4	09026-03001	*HEXAWRENCH	1
5	09026-04001	*HEXAWRENCH	1
6	09026-05001	*HEXAWRENCH	1
7	22550-92310	BLADECOVER	1

Fig. 11



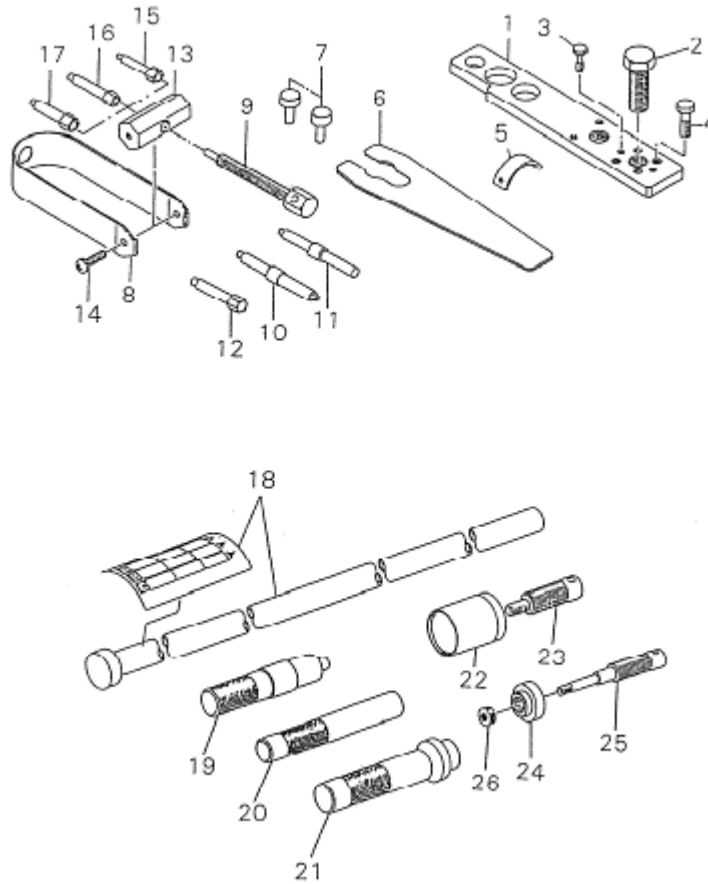
Ref. No	Part No.	Part Name	Q`ty
11- 1	62074-64010	HANDLEASSY	1
2	62074-64110	*HANDLE	1
3	62074-64120	*BARRIER	1
4	11022-05350	*BOLTSPW	4
5	22420-16120	*NUT	4

Fig. 12



Ref. No	Part No.	Part Name	Q`ty
12- 1	64000-66310	GUARDSET	1
2	62903-66110	*GUARD	1
3	62903-66331	*SUBGUARDASSY	1
4	72480-16121	**CUTTER	1
6	11020-05160	**BOLTSPW	2
7	22420-16120	**NUT	2
8	72480-16210	*UPPERCLAMP	1
9	72441-16220	*SPACER	2
10	11022-05450	*BOLTSPW	4

Fig. 13



Ref. No	Part No.	Part Name	Q`ty
13-	20000-96104	PULLERASSY	1
1	20000-96114	*LEVER	1
2	22100-96121	*CENTERBOLT	1
3	20000-96130	*BOLT	3
4	20000-96140	*BOLT	2
5	20000-96210	AIRGAPGAUGE	1
6	20000-96411	ROTORSPANNER	1
7	20021-96420	STOPPER	2
	20021-96601	PULLERASSY	1
8	20021-96611	*PULLER	1
9	20021-96621	*BOLT	1
10	20000-96631	*GUIDEPIN	1
11	20035-96630	*GUIDEPIN	1
12	20021-96630	GUIDEPIN	1
13	20000-96640	BOSS	1
14	01211-06120	SCREWSW	2
15	20021-96650	PINADAPTER	1
16	20021-96660	PINADAPTER	1
17	20021-96670	PINADAPTER	1
18	22000-96101	RODBUSHINGASSY	1
19	22000-96210	ROD6000DDU	1
20	22000-96310	ROD6000ZZ	1
21	22000-96410	ROD6201	1
	22000-96501	PULLERASSY	1
22	22000-96510	*HOLDER	1

23	22000-96521	*BOLT	1
	22000-96600	PULLERSUBASSY	1
24	22000-96610	*HOLDER	1
25	22000-96621	*BOLT	1
26	22000-96630	*NUT	1