

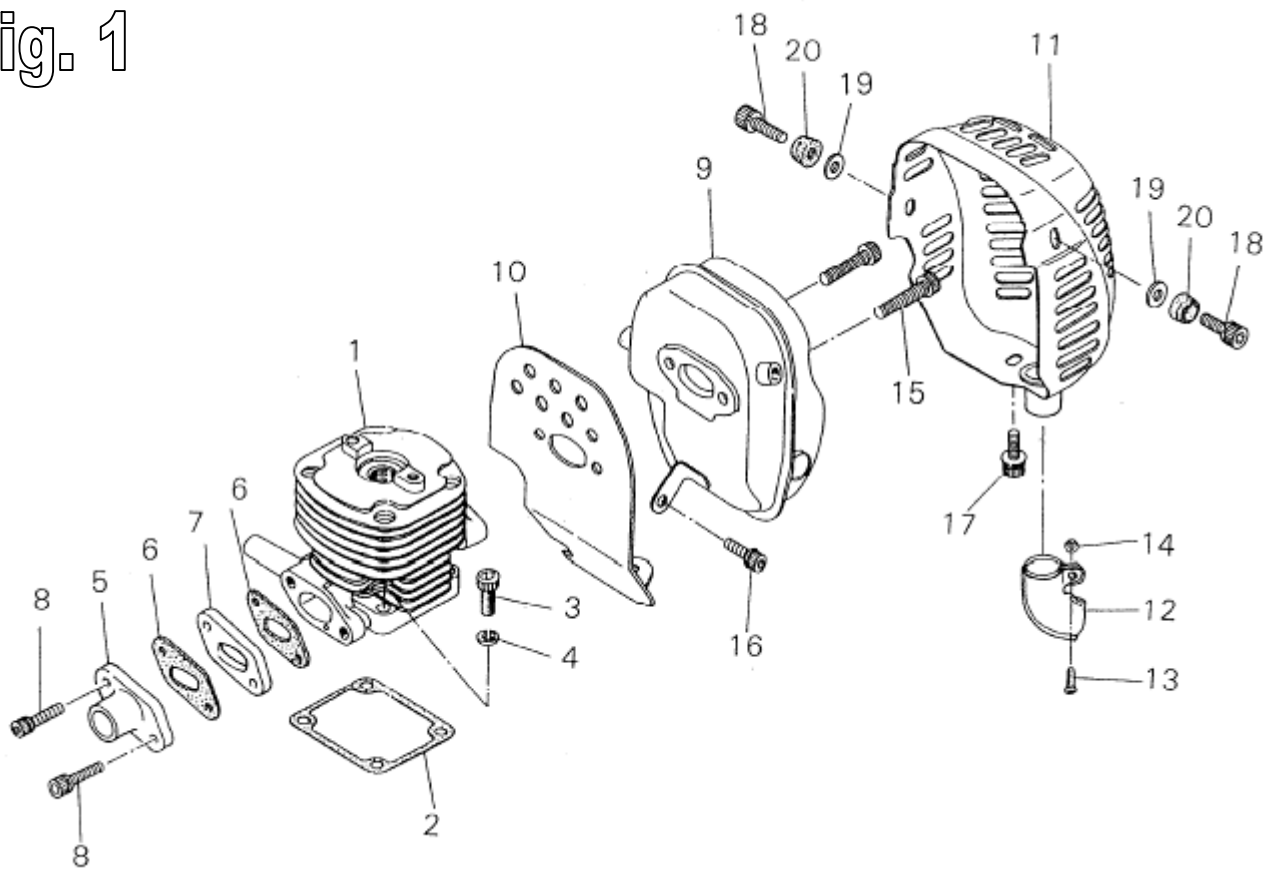
shindaiwa

Decespugliatore
a zaino

BP 35

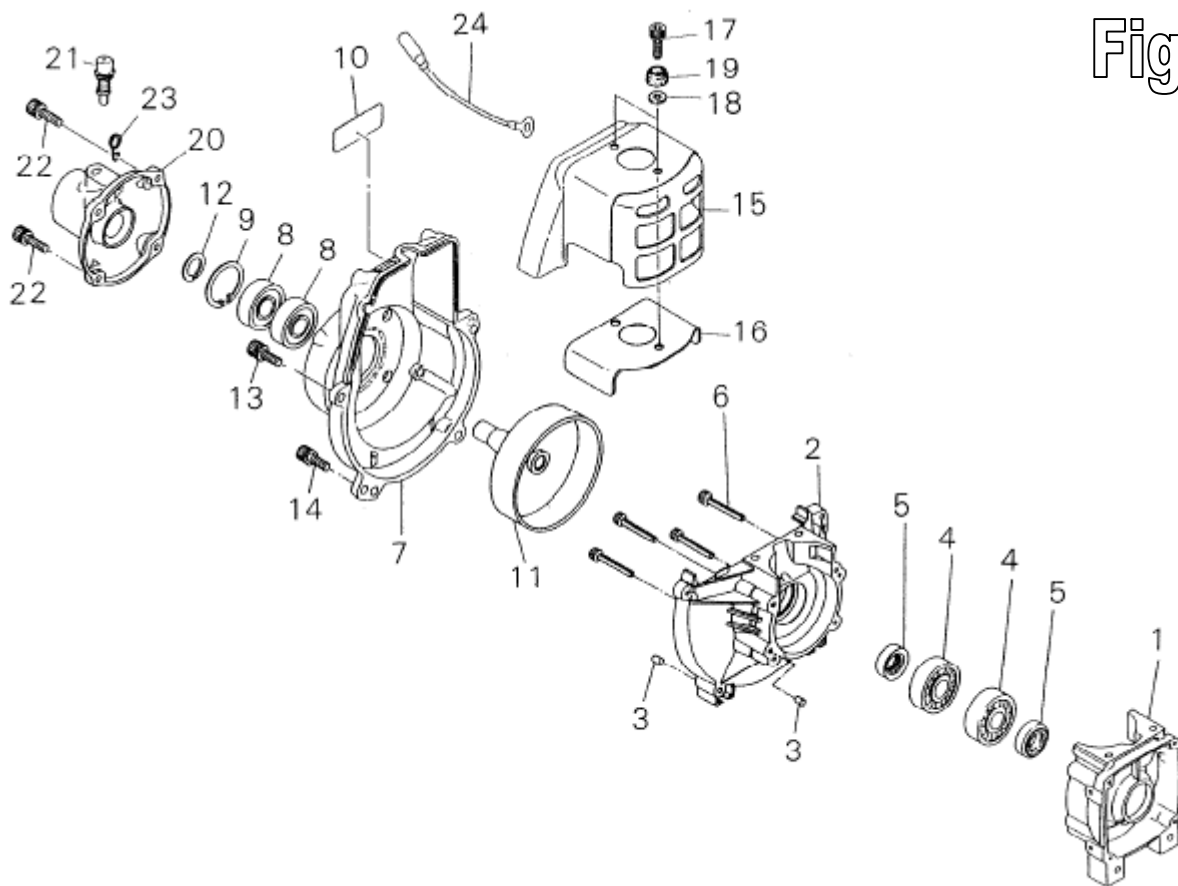
Motore fino a matr. 3067348

Fig. 1



Ref. No	Part No.	Part Name	Q`ty
1- 1	70196-12110	CYLINDER	1
2	20010-12120	GASKETCYLINDER	1
3	01020-05250	BOLT	4
4	01600-05131	SPRINGWASHER	4
5	20051-12211	INLETPPIPE	1
6	20051-12220	GASKETINSULATOR	2
7	20051-12230	INSULATOR	1
8	11022-05250	BOLTSPW	2
9	70199-15110	MUFFLER	1
10	70210-15211	GASKET	1
11	70199-15312	MUFFLERGUARD	1
12	20050-15410	TAILPIPE	1
13	11203-04100	SCREWPM	1
14	01500-04031	NUT	1
15	01020-06250	BOLT	2
16	11024-05120	BOLTSLPW	1
17	11024-05100	BOLTSLPW	1
18	11020-05100	BOLTSW	2
19	70196-32150	WASHER	2
20	70196-32160	COVER	2

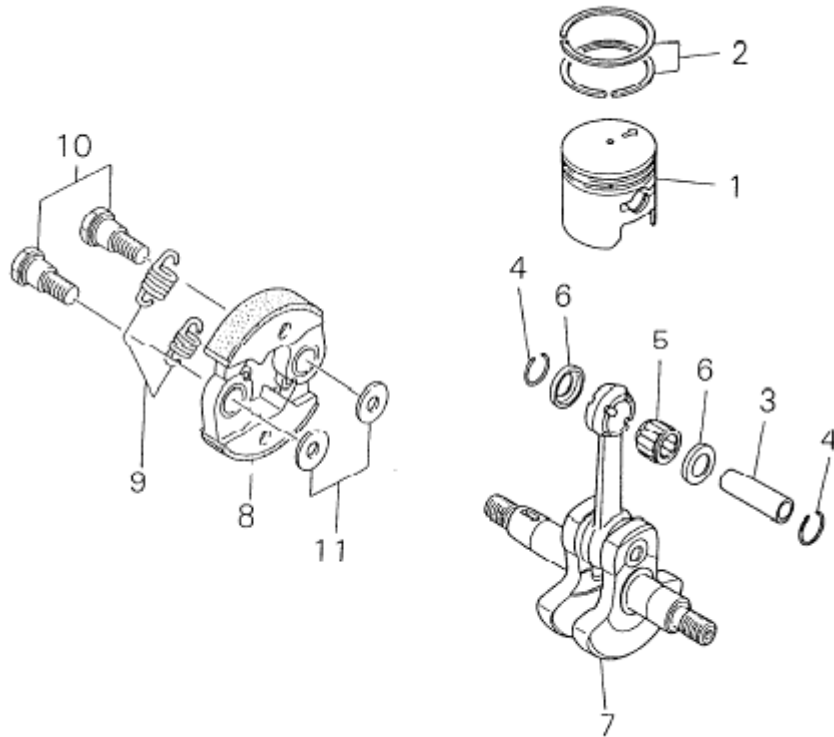
Fig. 2



Ref. No	Part No.	Part Name	Q`ty
2-	20051-21000	CRANKCASEASSY	1
1	20051-21110	*CRANKCASES	1
2	70012-21121	*CRANKCASEM	1
3	12492-50100	*ROLLER	4
4	12900-62020	*BEARING	2
5	20010-21211	*OILSEAL	2
6	01020-05300	*BOLT	4
7	70012-31111	FANCOVER	1
8	02006-06002	BEARING	2
9	02432-32120	SNAPRING	1
10	70051-31150	NAMEPLATE	1
11	20050-31210	CLUTCHDRUM	1
12	20011-31230	SNAPRING	1
13	11022-05200	BOLTSPW	2
14	11022-05350	BOLTSPW	2
15	70196-32110	CYLINDERCOVER	1
16	70196-32141	GASKET	1
17	11020-05140	BOLTSW	2
18	70196-32150	WASHER	2
19	70196-32160	COVER	2
20	20051-35130	JOINTCASE	1
21	20112-35200	PINCOMP	1
22	11022-05200	BOLTSPW	4

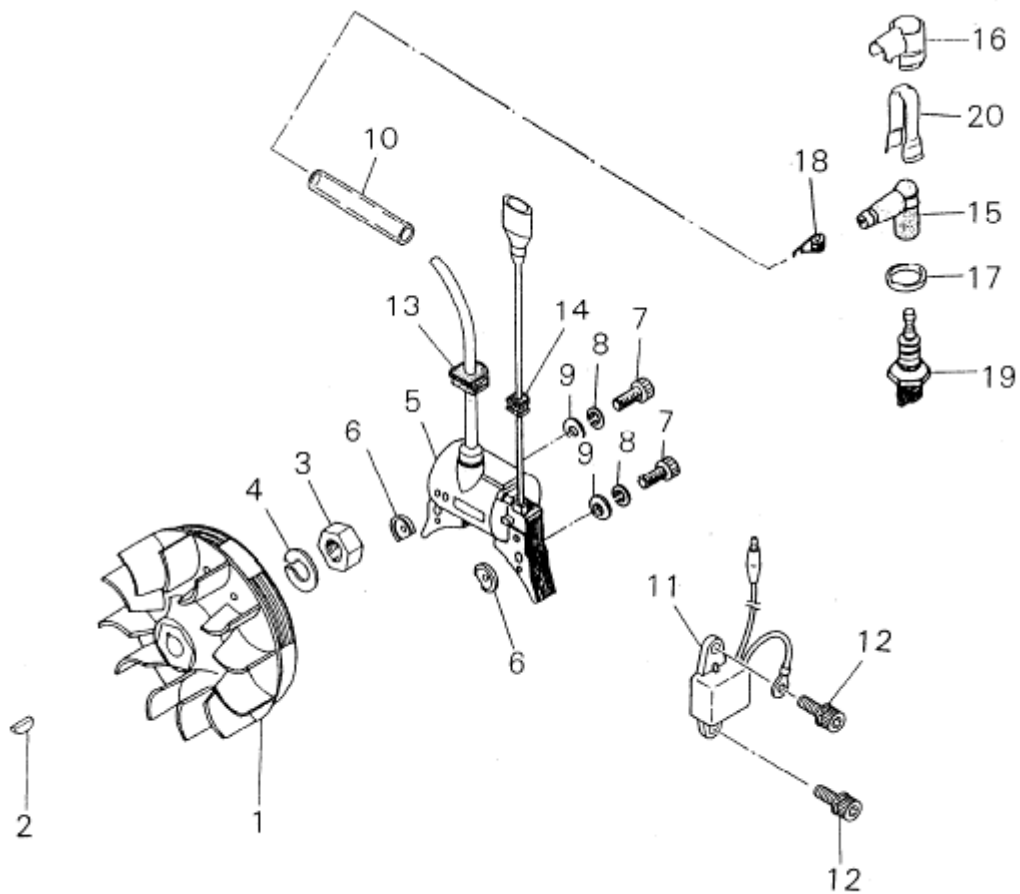
23	20024-83152	CABLEHOLDER	1
24	70056-83140	EARTHCORDB	1

Fig. 3



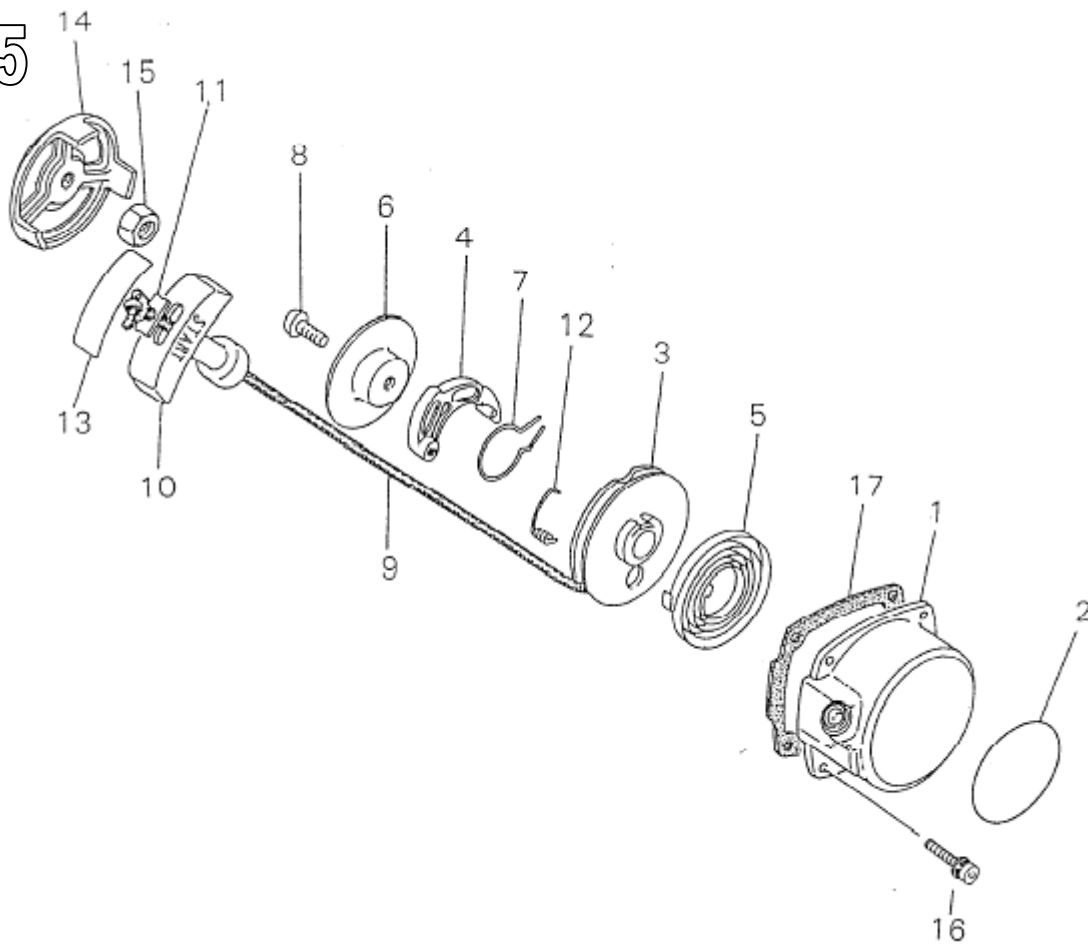
Ref. No	Part No.	Part Name	Q`ty
3- 1	20010-41110	PISTON	1
2	20010-41210	PISTONRING	2
3	20010-41310	PISTONPIN	1
4	22100-41230	SNAPRING	2
5	20010-41330	NEEDLEBEARING	1
6	20010-41340	THRUSTWASHER	2
7	20010-42002	CRANKSHAFTASSY	1
	20050-51102	CLUTCHSHOEASSY	1
8	20050-51111	*CLUTCHSHOE	2
9	20050-51121	*CLUTCHSPRING	2
10	20010-51130	*CLUTCHBOLT	2
11	20010-51141	*WASHER	2

Fig. 4



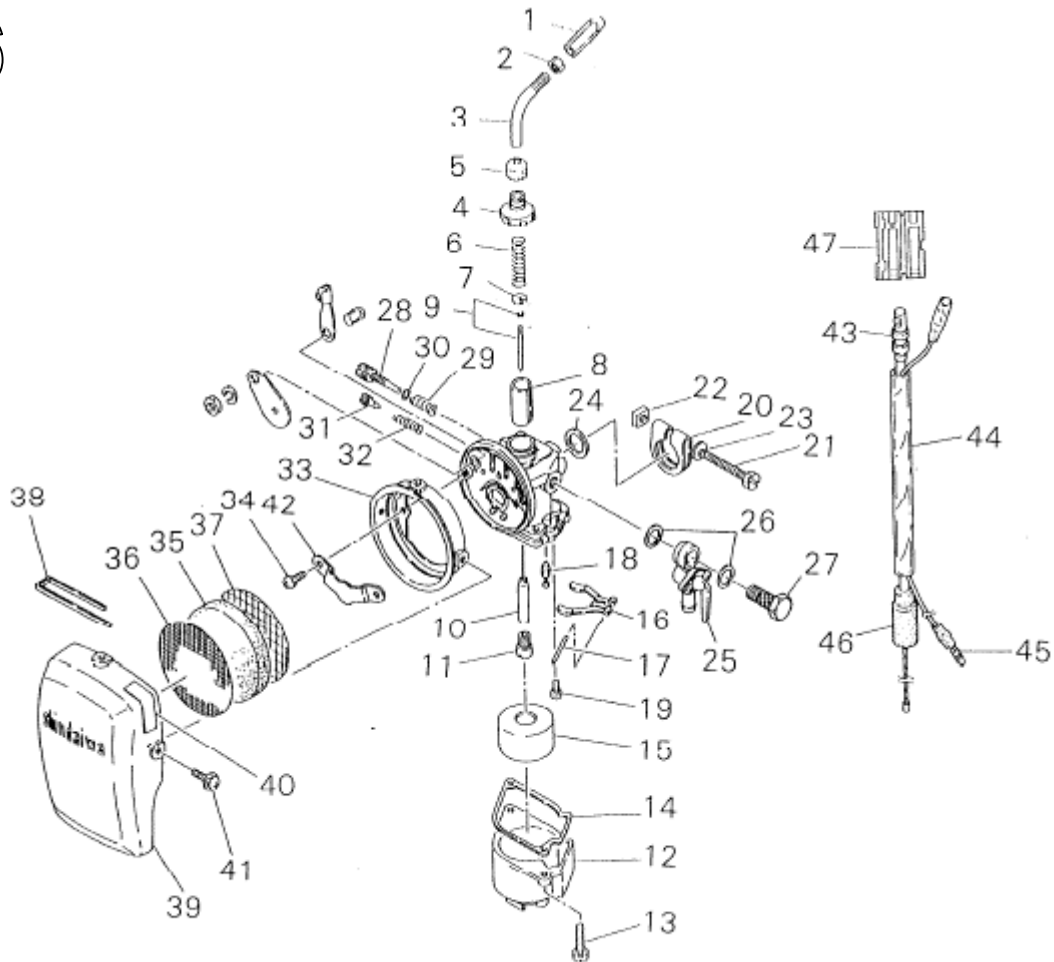
Ref. No	Part No.	Part Name	Q`ty
4- 1	20010-71201	ROTOR	1
2	02403-03100	KEY	1
3	01511-10061	NUT	1
4	01600-10251	SPRINGWASHER	1
5	20011-71611	COIL	1
6	20010-71631	SPACERCOIL	2
7	01020-04260	BOLT	2
8	01600-04101	SPRINGWASHER	2
9	20010-71650	WASHER	2
10	20011-71660	TUBE	1
11	72920-71711	UNIT	1
12	11024-04120	BOLTSPW	2
13	20011-72110	GROMMET	1
14	20011-72120	GROMMET	2
15	20010-72221	PLUGCAP	1
16	20000-72241	PLUGCAPCOVER	1
17	20000-72250	COVERBAND	1
20	70180-72260	SHIELD	1
18	20000-72230	SPRINGSPARKPLUG	1
19	13000-13406	SPARKPLUGBMR6A	1

Fig. 5



Ref. No	Part No.	Part Name	Q`ty
5-	70020-75100	RECOILSTARTERSUBASSY	1
1	70020-75110	*STARTERCASE	1
2	70020-75240	*NAMEPLATE	1
3	20020-75120	*REEL	1
4	20000-75130	*RATCHET	1
5	20020-75140	*RECOILSPRING	1
6	20000-75150	*PLATEFRICTION	1
7	20000-75160	*SPRINGFRICTION	1
8	20000-75170	*SCREW	1
9	20020-75180	*ROPE	1
10	20010-75190	*STARTERKNOB	1
11	20010-75210	*STOPPER	1
12	20000-75220	*RETURNSPRING	1
13	20010-75230	*TAPE	1
14	70000-75230	STARTERPULLEY	1
15	20000-76210	NUT	1
16	11022-04160	BOLTSPW	4
17	20020-76110	GASKETSTARTER	1

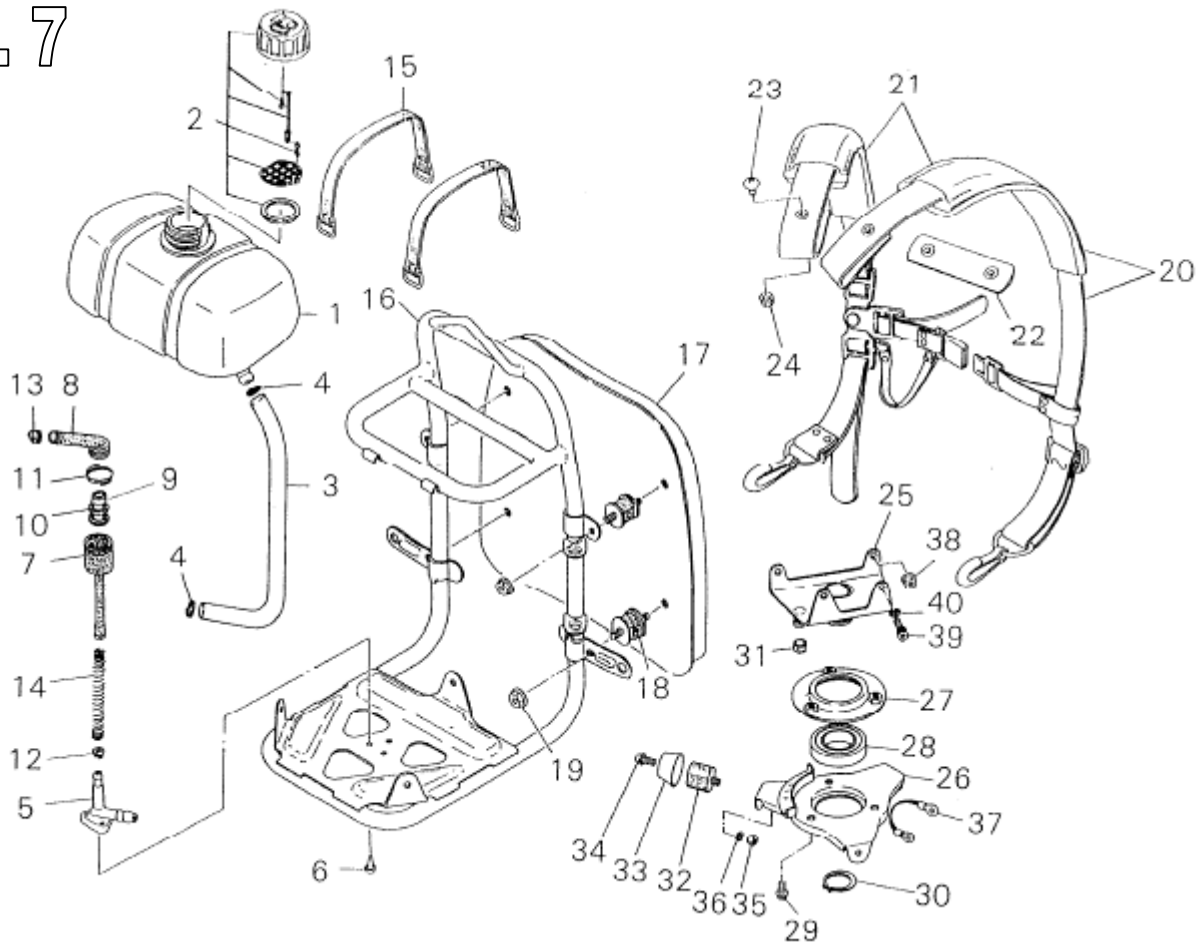
Fig. 6



Ref. No	Part No.	Part Name	Q`ty
6-	70199-81020	CARBURETORBODYASSY	1
1	20055-81810	*CABLEADJUSTER	1
2	20000-81260	*LOCKNUT	1
3	20055-81830	*ADJUSTPIPE	1
4	20055-81120	*BODYCAP	1
5	20055-81130	*CAP	1
6	20003-81140	*THROTTLESPRING	1
7	20000-81150	*SPRINGRECEIVE	1
8	20055-81182	*THROTTLEVALVE	1
9	20055-81212	*JETNEEDLE	1
10	20055-81232	*NEEDLEJET	1
11	20055-81242	*MAINJET	1
12	20027-81310	*FLOATCHAMBER	1
13	20014-81320	*SCREW	2
14	20014-81330	*PACKING	1
15	20014-81340	*FLOAT	1
16	20014-81350	*FLOATHINGE	1
17	20014-81360	*HINGEPIN	1
18	20014-81381	*NEEDLEVALVE	1
19	20014-81390	*SCREW	1
20	20014-81510	*BAND	1
21	20014-81521	*BANDBOLT	1

22	20014-81530	*NUT	1
23	20014-81540	*WASHER	1
24	20010-81570	*FLANGEPACKING	1
25	20055-81610	*FUELCOCK	1
26	20055-81620	*GASKET	2
27	20055-81630	*BANJOBOLT	1
28	20014-81810	*SLOWSTOPSCREW	1
29	20010-81820	*ADJUSTSPRING	1
30	20014-81830	*ORING	1
31	20000-81330	*SLOWAIRSCREW	1
32	20000-81340	*SPRING	1
33	20010-81711	CLEANERBODY	1
34	20000-81730	SCREW	2
35	20000-81740	FILTER	1
36	20000-81750	NETA	1
37	20010-81760	NETB	1
38	20010-81781	SPRINGNET	1
39	20010-81771	CLEANERCOVER	1
40	19404-00008	LABELCHOKE	1
41	20000-81735	SCREW	3
42	20014-81790	PLATE	1
43	70056-83200	THROTTLECABLEB	1
44	20020-83120	PIPE	1
45	70056-83130	EARTHCORDA	1
46	20005-83160	CABLECAP	1
47	70056-83190	CONNECTOR	1

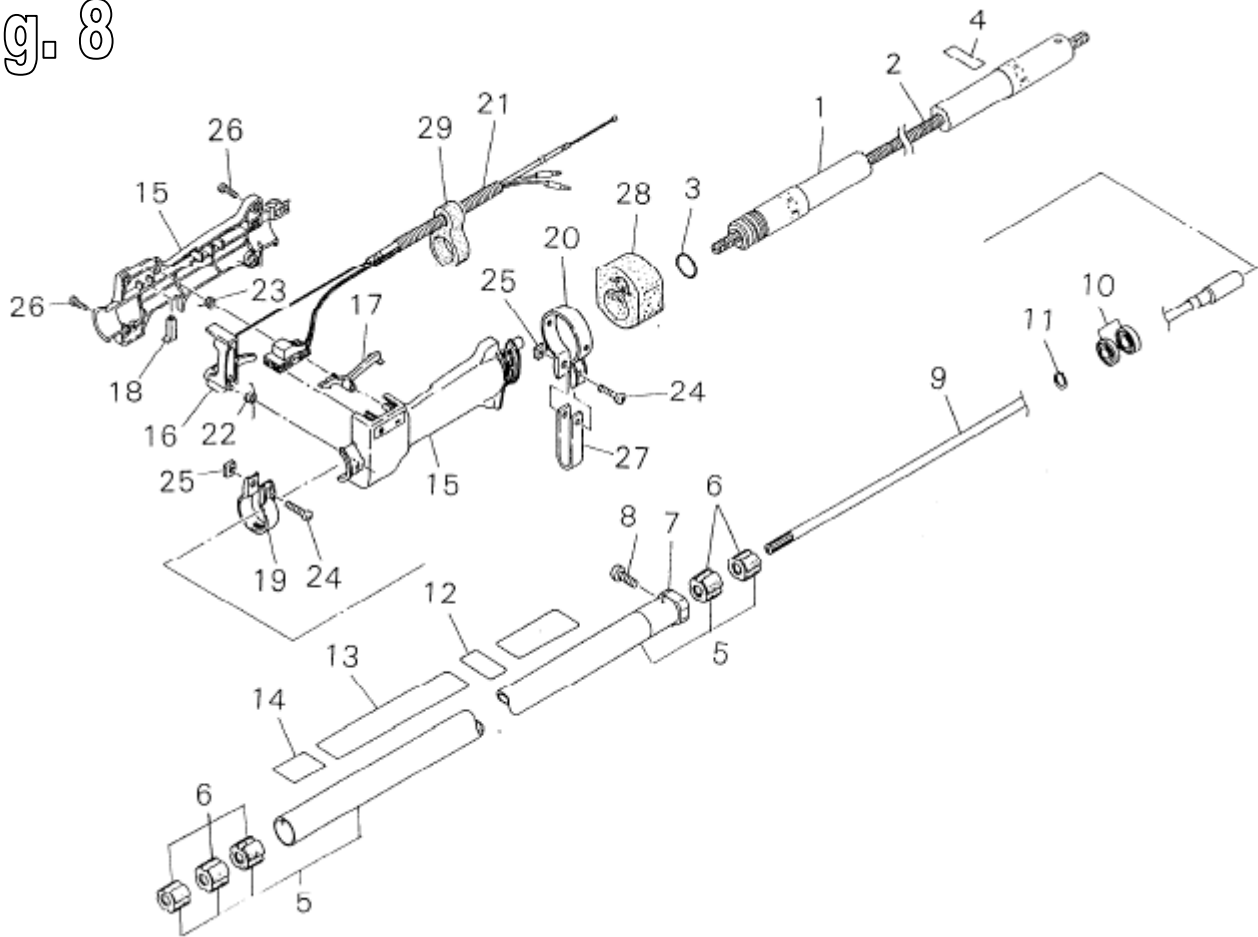
Fig. 7



Ref. No	Part No.	Part Name	Q`ty
7- 1	20050-85110	FUELTANK	1
2	70199-85202	FUELCAPASSY	1
3	20051-85410	FUELPIPE	1
4	20051-85420	CLIP	2
5	20050-85461	ELBOW	1
6	11202-40100	SCREWHILO4X10	3
	20051-85503	FILTERASSY	1
7	20051-85510	*FUELPIPE	1
8	20051-85521	*FUELPIPEA	1
	22999-00001	*FILTERSET#	1
9	20051-85540	**FILTERA	1
10	20051-85531	**FILTER	1
11	20050-85580	*CLIP	1
12	20050-85560	*CLIP	1
13	20051-85570	*CLIPA	1
14	20051-85590	*SPRING	1
15	20010-86140	BAND	2
16	20051-86112	FRAME	1
17	20051-86120	PAD	1
18	20051-86160	CUSHION18K	4
19	11526-05112	FLANGENUT	4
20	70199-86200	BANDASSY	1
21	22044-17230	*PROTECTOR	2

22	20051-86320	JOINTBAND	1
23	01215-06140	SCREWTRUSS	2
24	22011-97840	LOCKNUT	2
	20051-87001	BRACKETASSY	1
25	20050-87110	*BRACKETA	1
26	20050-87120	*BRACKETB	1
27	20050-87131	*RETAINER	1
28	02002-06005	*BEARING	1
29	11206-05100	*SCREWPMSPW	3
30	02430-25120	*SNAPRING	1
31	20050-87150	*STOPCUSHION	1
32	20050-87160	*CUSHION	3
33	20050-87170	*MOUNTHOLDER	3
34	11206-05100	*SCREWPMSPW	3
35	01500-05041	*NUT	3
36	01600-05131	*SPRINGWASHER	3
37	20051-87210	*EARTHCORD	1
38	01500-05041	*NUT	2
39	11020-05120	*BOLTSW	2
40	01600-05131	*SPRINGWASHER	2

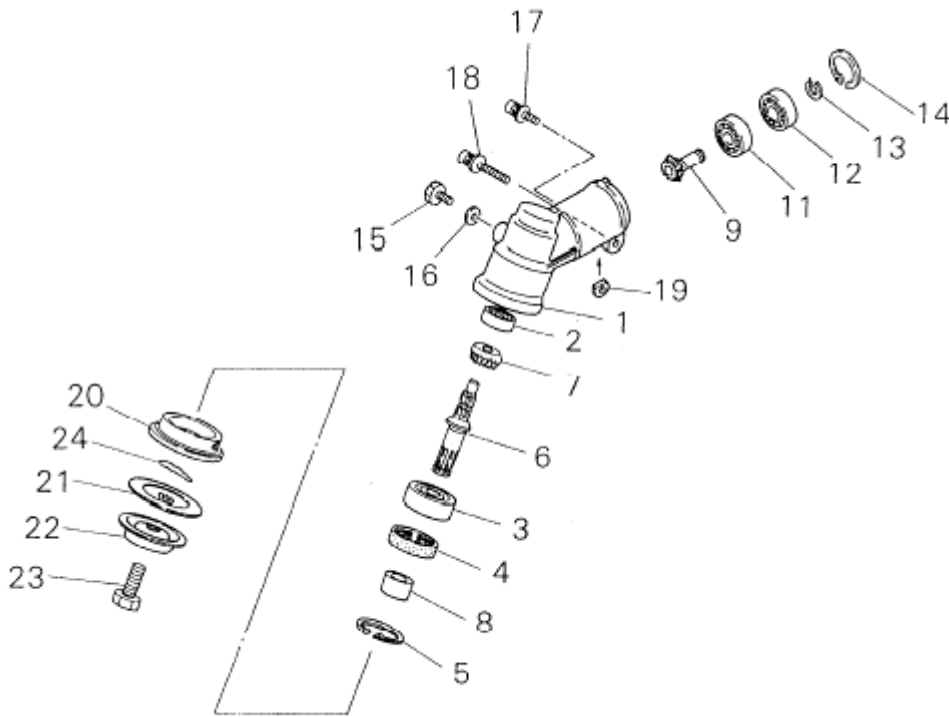
Fig. 8



Ref. No	Part No.	Part Name	Q`ty
8-	72517-11103	FLEXIBLESET	1
1	72517-11111	*FLEXIBLEPIPE	1
2	72517-11121	*FLEXIBLESHAFT	1
3	22056-11140	*ORING	1
4	72051-11150	CAUTIONPLATE	1
5	72517-12100	OUTERPIPESUBASSY	1
6	22000-12120	*BUSHING	5
7	72517-12130	JOINTPIPE	1
8	22056-12340	SCREW	1
9	72517-12410	MAINSHAFT	1
10	02002-06900	BEARING	2
11	02430-10100	SNAPRING	1
12	72017-12150	HANDLELABEL	1
13	19422-00010	LABELCAUTION	1
14	19402-00223	LABELCAUTION	1
15	72430-12800	BODYSUBASSY	1
16	72430-12730	LEVER	1
17	72430-12740	LOCKLEVER	1
18	72451-14550	BUTTON	1
19	72451-14560	CLAMP	1
20	72430-12750	CLAMP	1
21	72517-12762	→ VEDI NOTE IN FONDO ALL'ESPLOSO	1

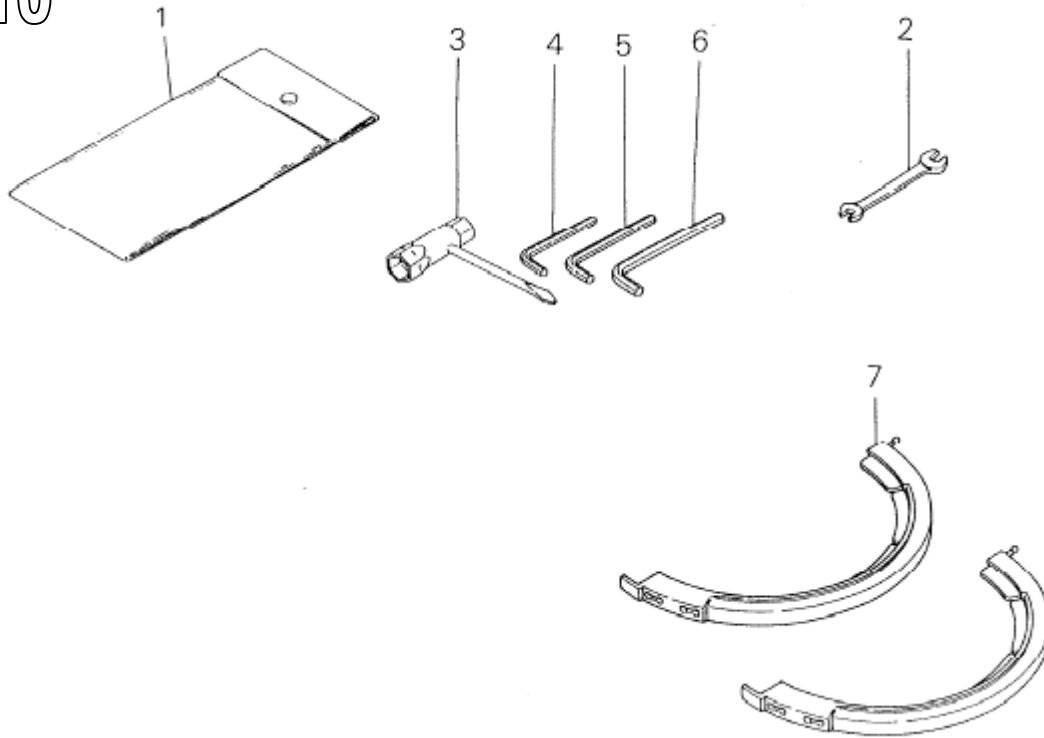
22	72451-14580	RETURNSPRING	1
23	72451-14590	SPRING	1
24	11203-06200	SCREW	2
25	72451-14610	NUT	2
26	72451-14620	SCREWTAPPING	4
27	72517-12180	STAND	1
28	72517-12190	HOLDER	1
29	20079-83140	CABLEHOLDER	1

Fig. 9



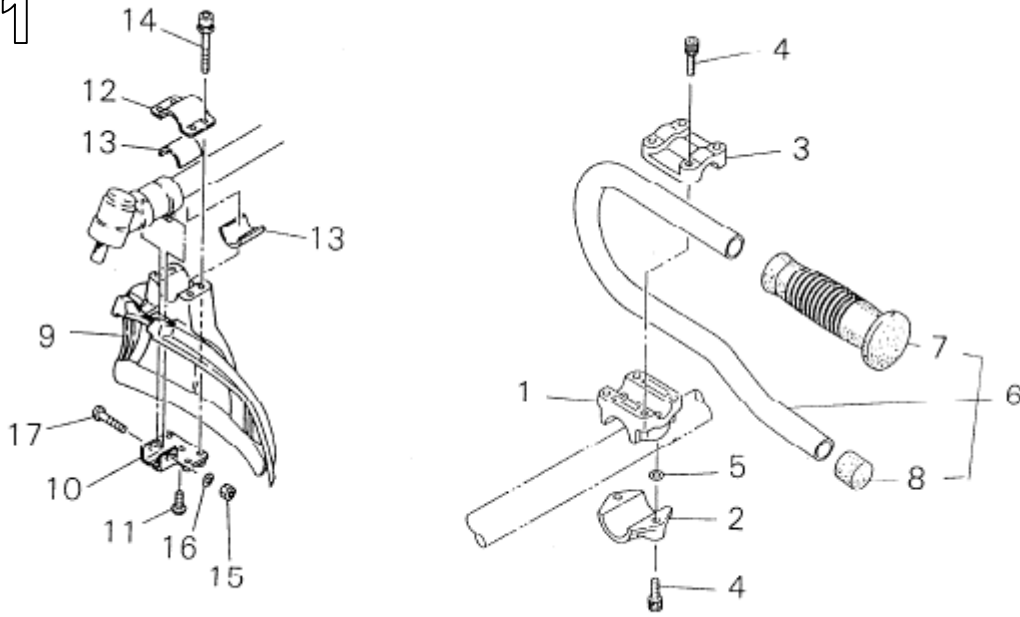
Ref. No	Part No.	Part Name	Q`ty
9-	72435-13013	GEARCASUBASSY	1
1	72435-13112	*GEARCASE	1
2	02046-00609	*BEARING	1
3	02000-06201	*BEARING	1
4	22024-13121	*OILSEAL	1
5	02432-32120	*SNAPRING	1
6	72435-13210	*GEARSHAFT	1
7	22024-13220	*BEVELGEAR	1
8	22000-13230	*COLLAR	1
9	22024-13391	*PINIONSET	1
11	02000-06901	*BEARING	1
12	02002-06901	*BEARING	1
13	20000-31140	*SNAPRING	1
14	02432-24120	*SNAPRING	1
15	22015-13410	*BOLT	1
16	22015-13420	*GASKET	1
17	11022-05160	*BOLTSPW	1
18	11022-06280	*BOLTSPW	1
19	22011-13450	*SHIM	1
20	22024-13912	HOLDERA	1
21	72435-13920	HOLDERB	1
22	22024-13291	BOLTGUARD	1
23	22000-13512	BOLT	1
24	22000-13530	SLIDEPIN	1

Fig. 10



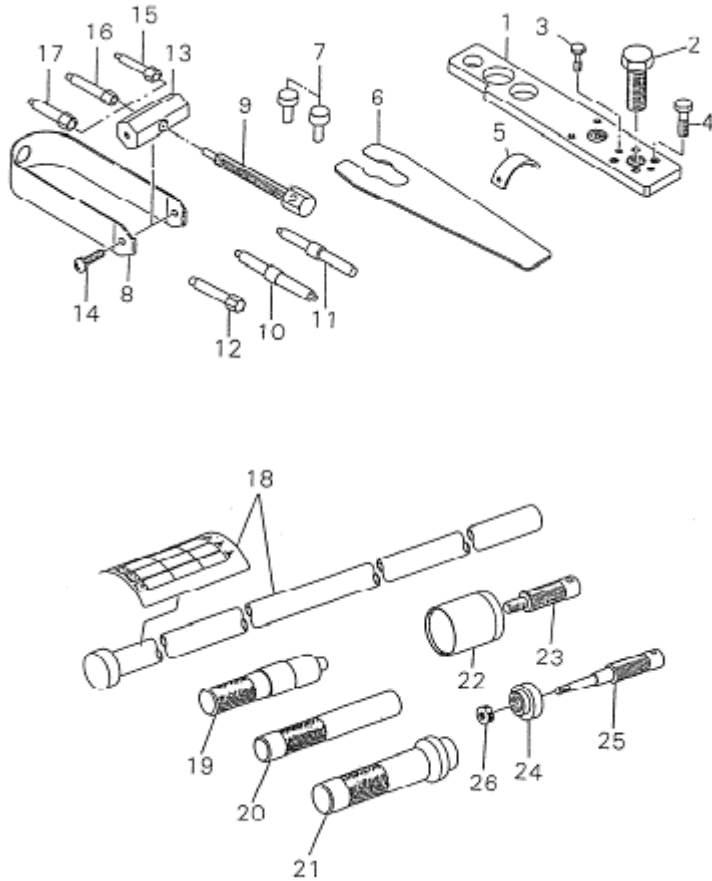
Ref. No	Part No.	Part Name	Q`ty
10-	72512-91000	TOOLSET	1
1	19610-02100	*TOOLBAG	1
2	22000-91120	*SPANNER	1
3	22000-91181	*PLUGWRENCH	1
4	09026-03001	*HEXAWRENCH	1
5	09026-04001	*HEXAWRENCH	1
6	09026-05001	*HEXAWRENCH	1
7	19601-00300	BLADECOVER	1

Fig. 11



Ref. No	Part No.	Part Name	Q`ty
11-	72091-14100	BRACKETSUBASSY	1
1	72051-14110	*HANDLEBRACKET	1
2	72051-14120	*LOWERCAP	1
3	72051-14131	*UPPERCAP	1
4	11022-05250	*BOLTSPW	6
5	01610-05080	*WASHER	1
6	72430-14200	HANDLESUBASSY	1
7	22421-14230	*GRIP	1
8	72430-14270	*CAP	4
9	72480-16113	GUARD	1
10	72441-16130	LOWERCLAMP	1
11	11202-40100	SCREWHILO4X10	1
12	72480-16210	UPPERCLAMP	1
13	72441-16220	SPACER	1
14	11022-05450	BOLTSPW	4
15	01500-06051	NUT	1
16	01613-06100	WASHER	1
17	11022-06400	BOLTSPW	1

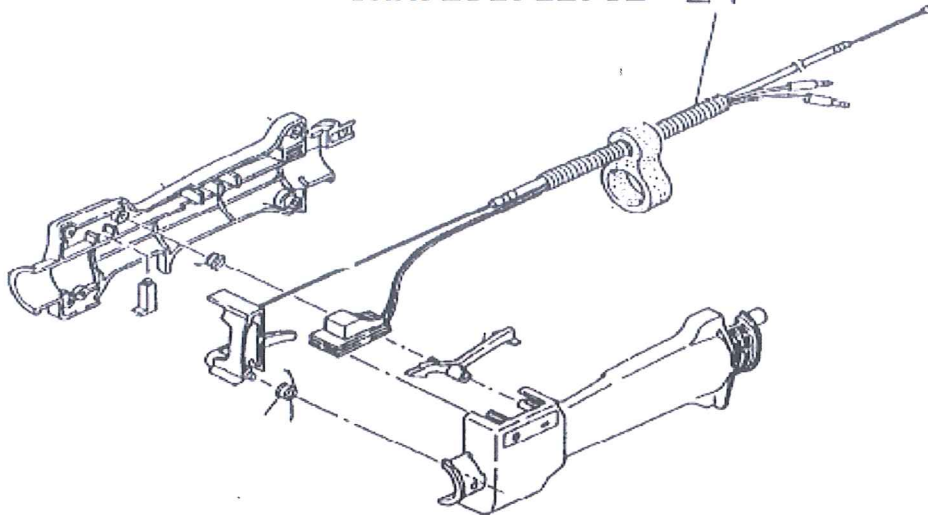
Fig. 12



Ref. No	Part No.	Part Name	Q`ty
12-	20000-96104	PULLERASSY	1
1	20000-96114	*LEVER	1
2	22100-96121	*CENTERBOLT	1
3	20000-96130	*BOLT	3
4	20000-96140	*BOLT	2
5	20000-96210	AIRGAPGAUGE	1
6	20000-96411	ROTORSPANNER	1
7	20021-96420	STOPPER	2
	20021-96601	PULLERASSY	1
8	20021-96611	*PULLER	1
9	20021-96621	*BOLT	1
10	20000-96631	*GUIDEPIN	1
11	20035-96630	*GUIDEPIN	1
12	20021-96630	*GUIDEPIN	1
13	20000-96640	*BOSS	1
14	01211-06120	*SCREWSW	2
15	20021-96650	*PINADAPTER	1
16	20021-96660	*PINADAPTER	1
17	20021-96670	*PINADAPTER	1
18	22000-96101	RODBUSHINGASSY	1
19	22000-96210	ROD6000DDU	1
20	22000-96310	ROD6000ZZ	1
21	22000-96410	ROD6201	1
	22000-96501	PULLERASSY	1
22	22000-96510	*HOLDER	1

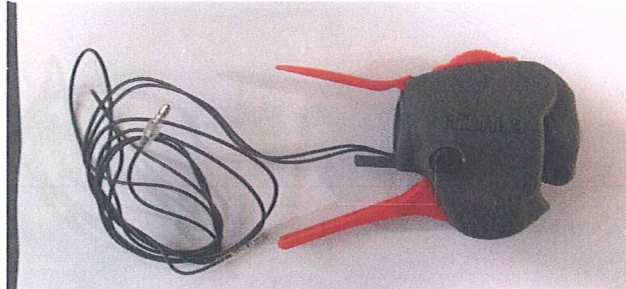
23	22000-96521	*BOLT	1
	22000-96600	PULLERSUBASSY	1
24	22000-96610	*HOLDER	1
25	22000-96621	*BOLT	1
26	22000-96630	*NUT	1

SKR7251712762 21



SKR7251712762 CAVO ACC.RE : DARE

SKRC044000940 ACCELERATORE COMPLETO



SKRV430003010 CAVO ACCELERATORE CM.106



SKRC412000380 IMPUGNATURA IN GOMMA

