

# **shindaiwa**

## **PARTS PRICE LIST**

**B P 4 5**

### **Shindaiwa Corporation**

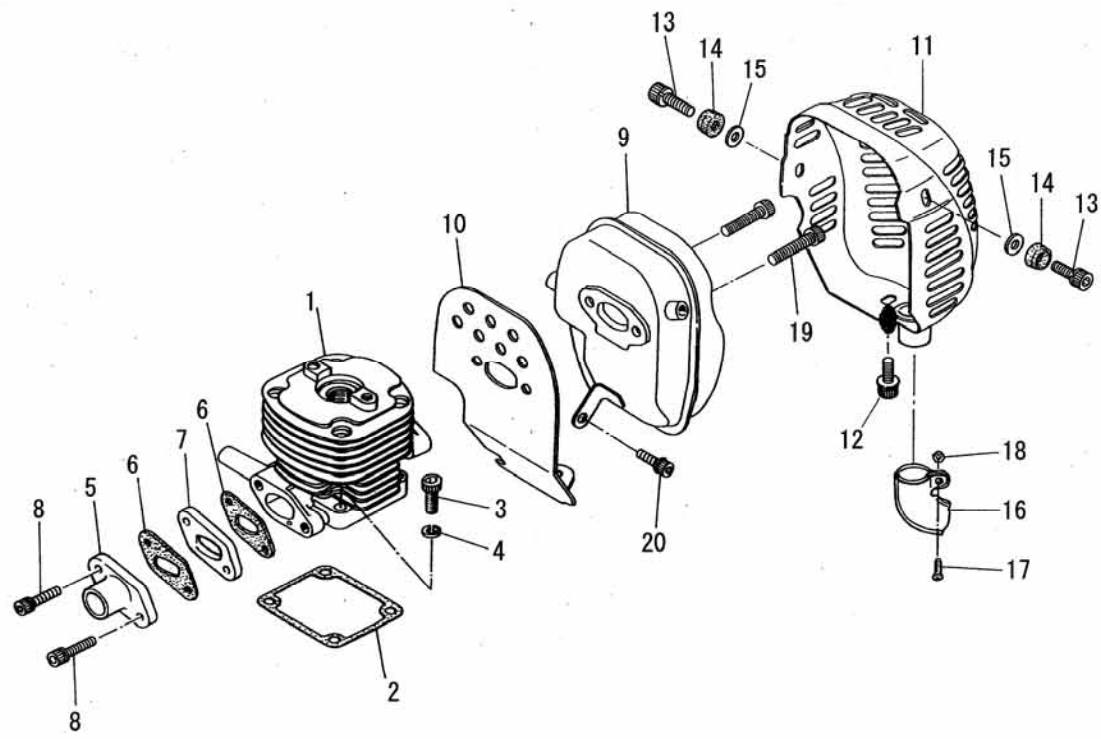
6-2-11,Ozuka-Nishi, Asaminami-ku, Hiroshima, 731-3167, Japan

Telephone (082) 849-2005 Fax (082) 849-2481

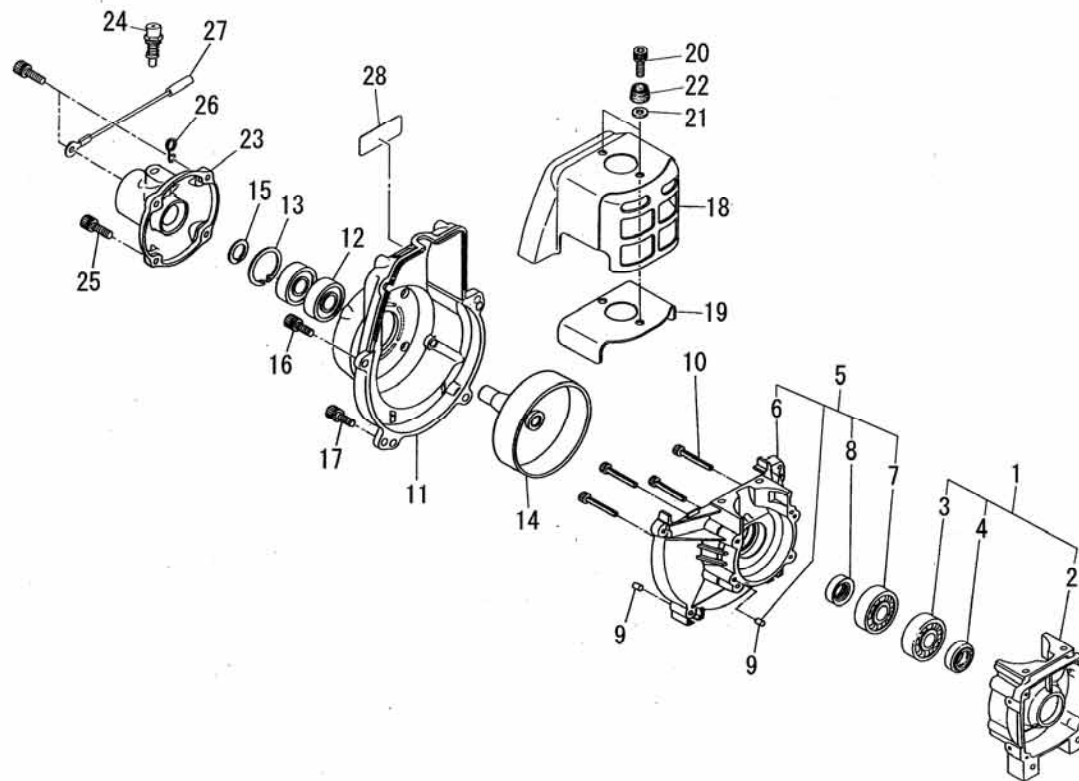
**B P 4 5 / E C 1**

**M A R . 2 , 2 0 0 9**

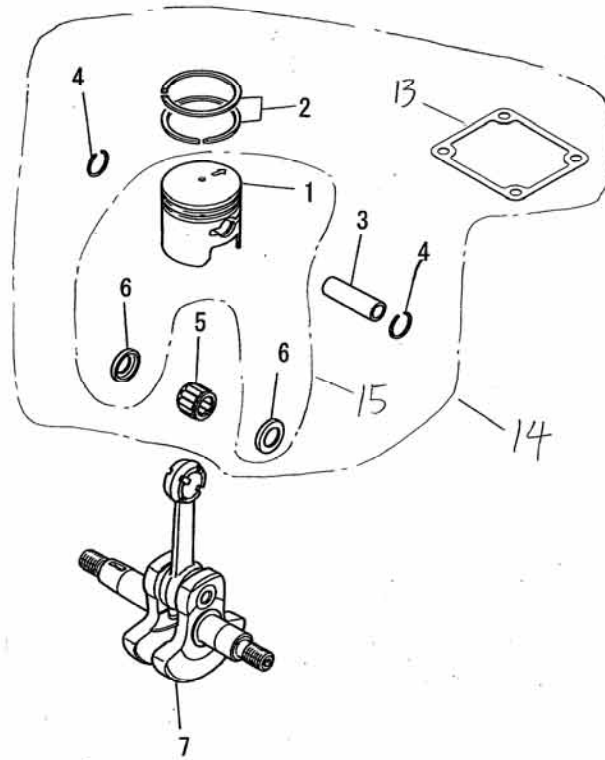
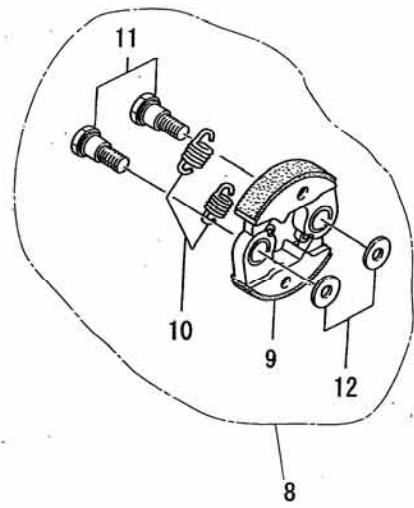
**P r i n t e d i n J a p a n**



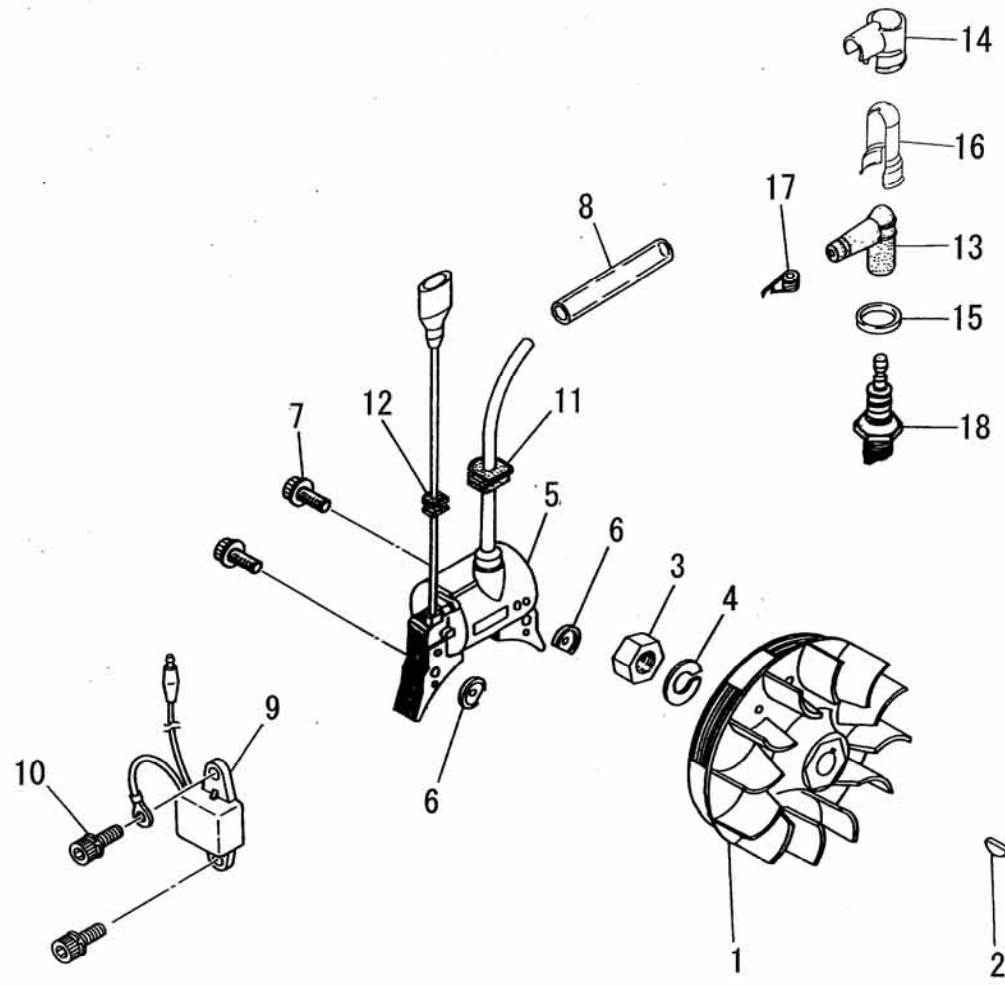






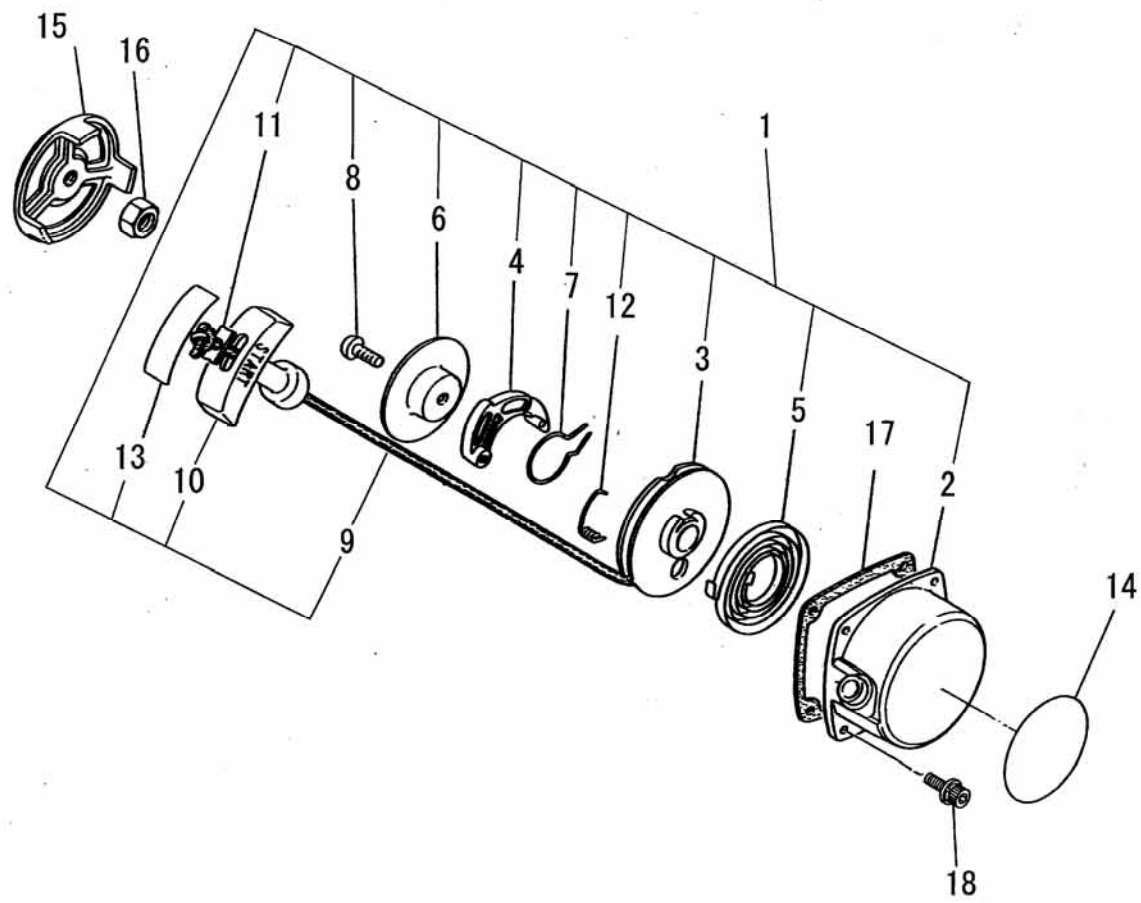




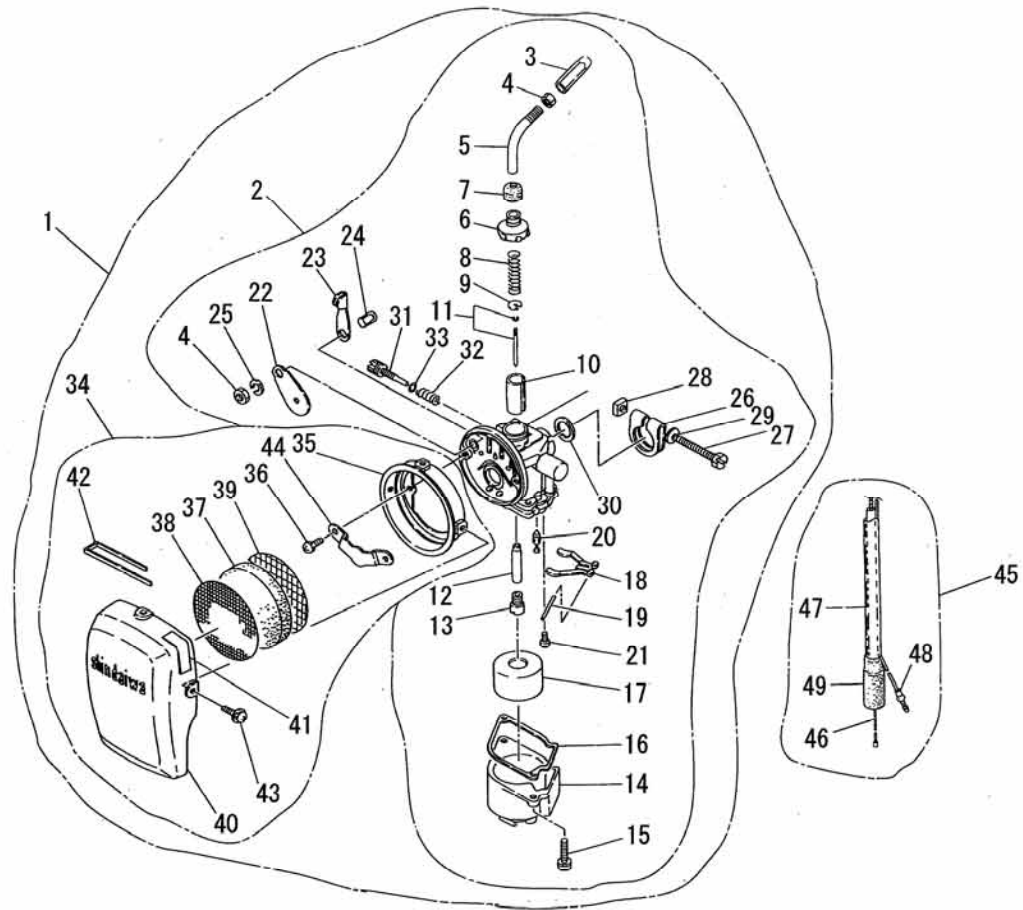








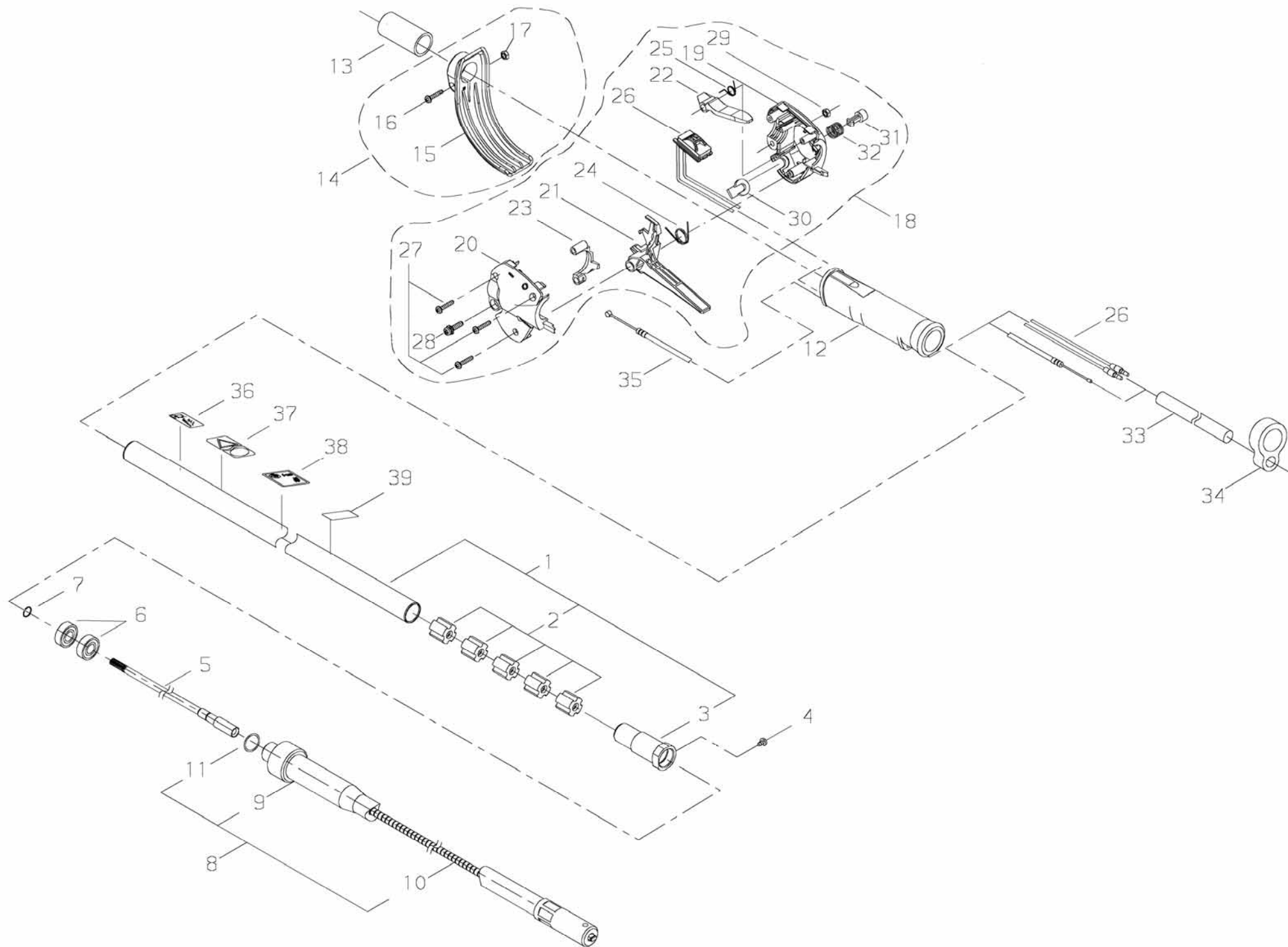




PRICE:(\$)

Ref. No.	Part No.	Part Name	Q`ty	Unit Price(\$)	Remarks
6-1	62106-81010	CARBURETOR ASSY	1		
2	62106-81310	*CARBURETOR BODY ASSY	1		
3	20055-81810	**CABLE ADJUSTER	1		
4	20000-81260	**NUT	2		
5	20055-81830	**ADJUST PIPE	1		
6	20055-81120	**BODY CAP	1		
7	20055-81130	**CAP	1		
8	20003-81140	**SPRING	1		
9	20000-81150	**SPRING RECEIVE	1		
10	70112-81180	**THROTTLE VALVE	1		
11	62106-81330	**JET NEEDLE	1		
12	20055-81232	**NEEDLE JET	1		
13	20045-81240	**MAIN JET	1		
14	20051-81311	**FLOAT CHAMBER	1		
15	20014-81320	**SCREW	2		
16	68503-81360	**PACKING	1		
17	20014-81340	**FLOAT	1		
18	20014-81350	**FLOAT HINGE	1		
19	20014-81360	**HINGE PIN	1		
20	20014-81381	**NEEDLE VALVE	1		
21	20014-81390	**SCREW	1		
22	20055-81410	**CHOKE PLATE	1		
23	20010-81420	**SHUTTER LEVER	1		
24	20014-81430	**CHOKE BOLT	1		
25	20000-81250	**SPRING WASHER	1		
26	20014-81510	**BAND	1		
27	20014-81521	**BAND BOLT	1		
28	20014-81530	**NUT	1		
29	20014-81540	**WASHER	1		
30	20010-81570	**FLANGE PACKING	1		
31	20014-81810	**SLOW STOP SCREW	1		
32	20010-81820	**SPRING	1		
33	20014-81830	**O RING	1		
34	20051-81700	*AIR CLEANER ASSY	1		
35	20010-81711	**CLEANER BODY	1		
36	20000-81730	**SCREW	2		
37	20000-81740	**FILTER	1		
38	20000-81750	**NET	1		



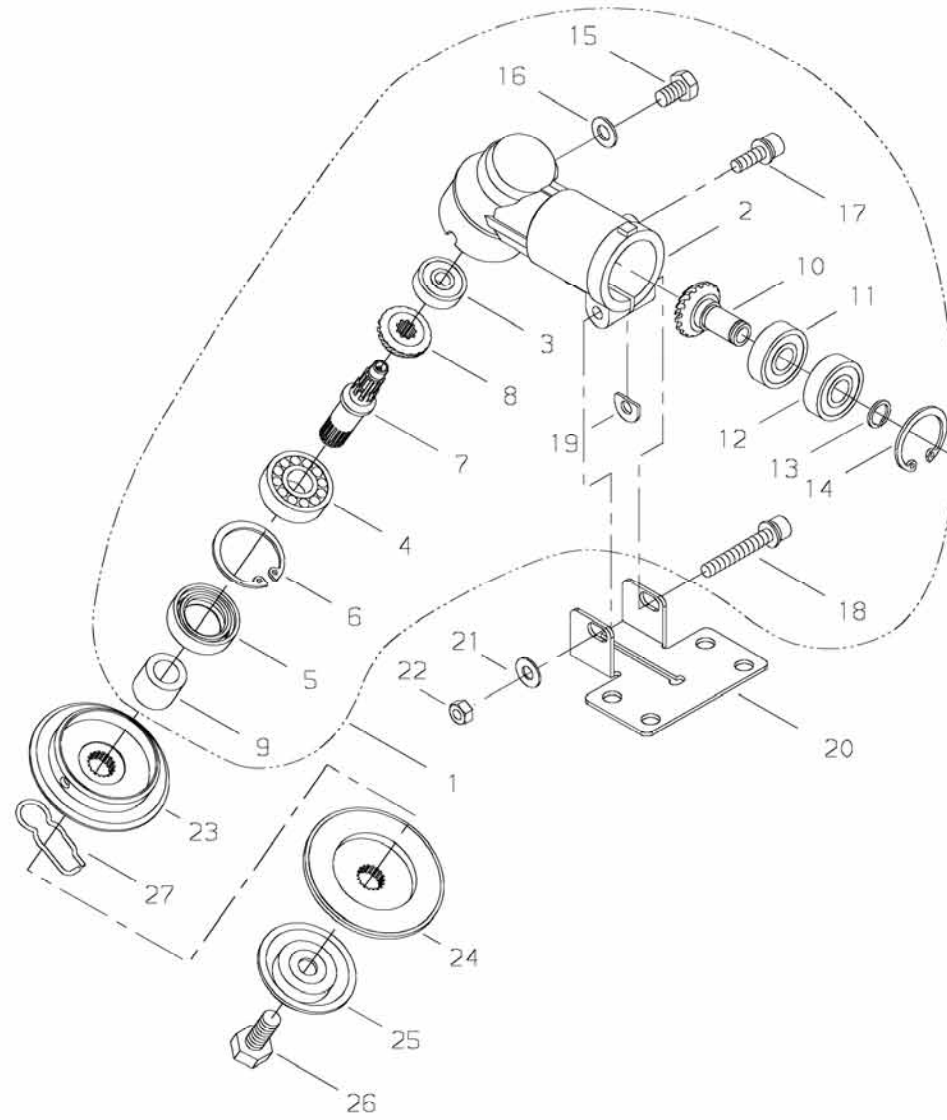


PRICE:(\\$)

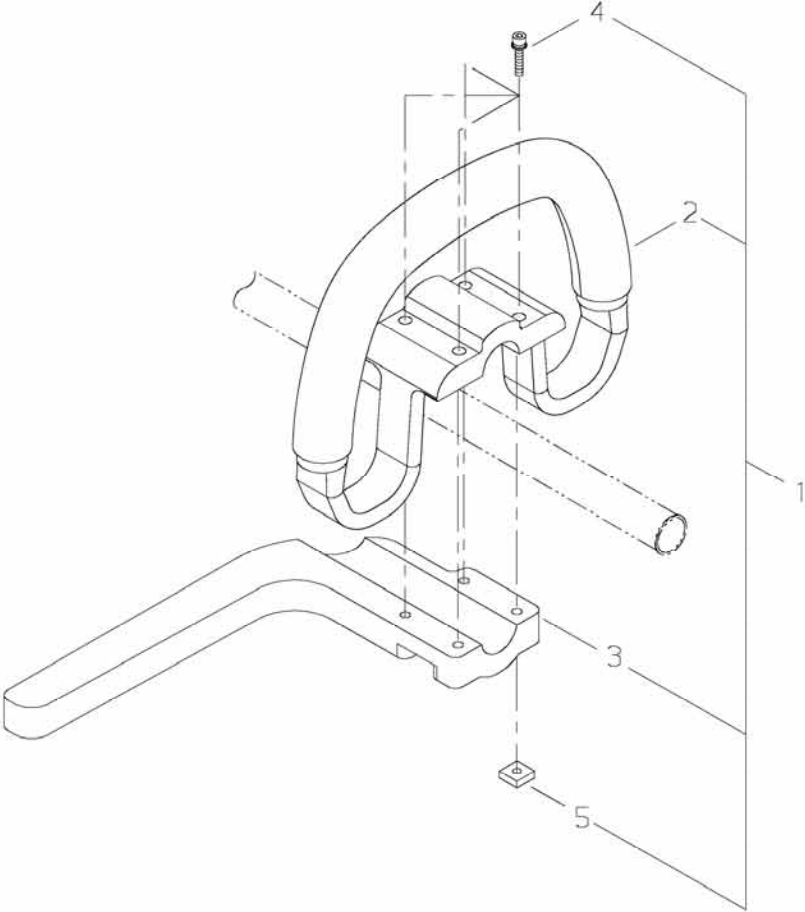
Ref. No.	Part No.	Part Name	Q`ty	Unit Price(\$)	Remarks
7-1	72517-12100	OUTER PIPE COMP	1		
2	22000-12120	*BUSH	5		
3	72517-12130	*JOINT PIPE	1		
4	22056-12340	SCREW	1		
5	72517-12410	MAIN SHAFT	1		
6	02002-06900	BALL BEARING	2		6900ZZ
7	02430-10100	SNAP RING	1		10mm C
8	72517-61010	FLEXIBLE CABLE ASSY	1		
9	72517-61110	*FLEXIBLE PIPE	1		
10	72517-11121	*FLEXIBLE SHAFT	1		
11	22056-11140	*O RING	1		
12	63043-62140	GRIP	1		
13	63000-62311	PROTECTOR	1		
14	72517-62331	GUARD ASSY	1		
15	72517-62341	*GUARD	1		
16	11206-05250	*SCREW,PM-SPW	1		M5x25
17	01500-05041	*NUT	1		M5
18	72517-62310	THROTTLE LEVER ASSY	1		
19	63000-62340	*BODY,RIGHT	1		
20	63000-62350	*BODY,LEFT	1		
21	63002-62340	*LEVER	1		
22	63901-62352	*LOCK LEVER	1		
23	63002-62350	*HOLDER	1		
24	63880-65350	*COIL SPRING	1		
25	63901-62370	*COIL SPRING	1		
26	72517-62350	*SWITCH	1		
27	63880-65360	*SCREW,TAPPING	3		
28	11206-05201	*SCREW,PM-SPW	1		M5x20
29	01501-05030	*NUT	1		M5
30	63880-65411	*PLUG	1		
31	70871-65170	*BUTTON	1		
32	70871-65180	*COIL SPRING	1		
33	72517-62320	PIPE	1		
34	20079-83140	CABLE HOLDER	1		
35	72517-62170	THROTTLE CABLE	1		
36	19402-00223	LABEL,CAUTION	1		MAX 8500MIN-1
37	19422-00010	LABEL,CAUTION	1		
38	19404-00035	LABEL,DECIBEL	1		110dB(A)



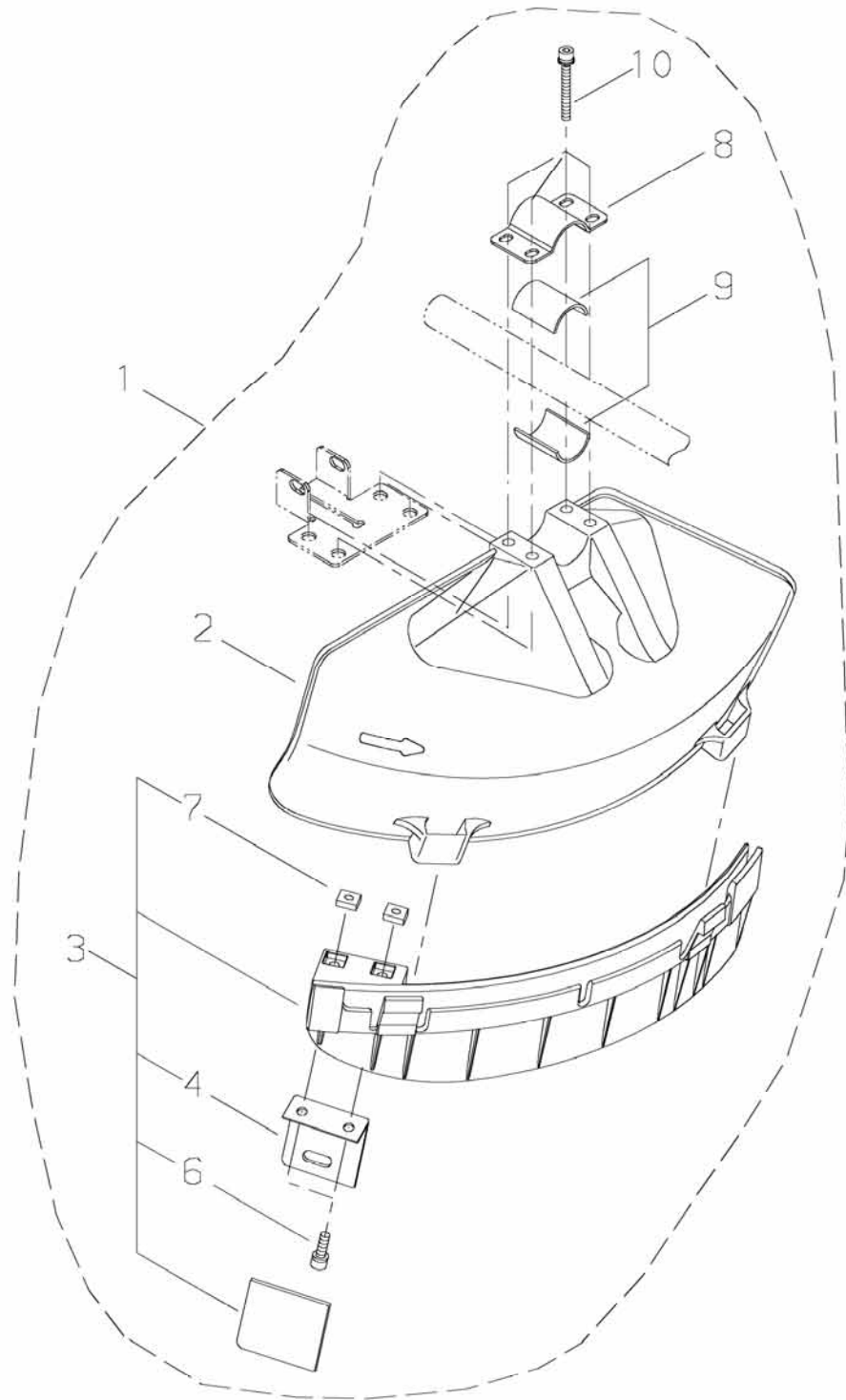




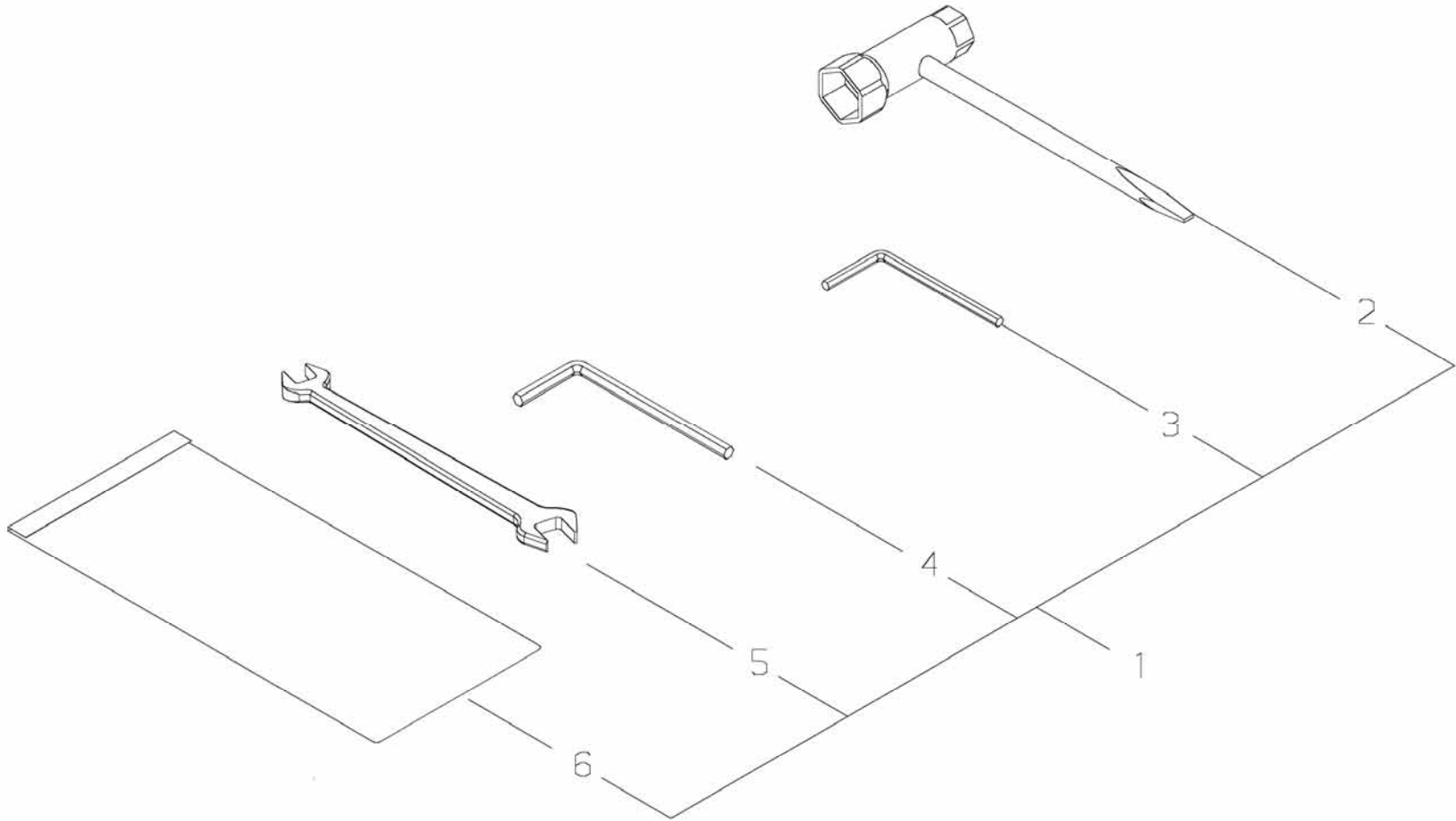






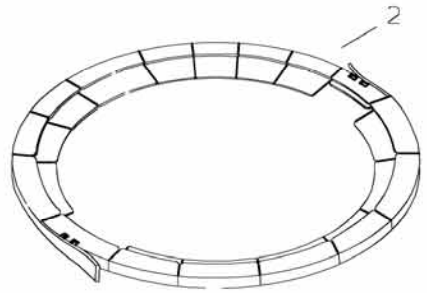
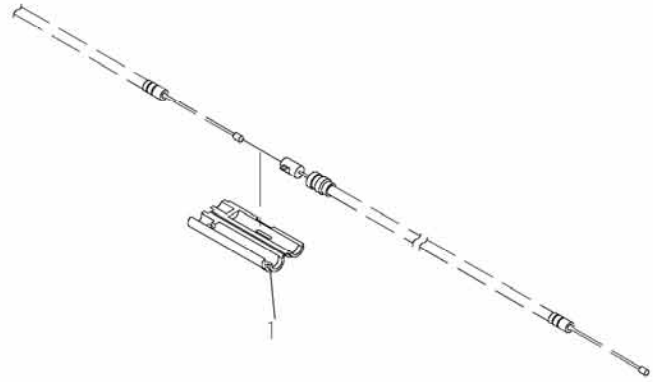




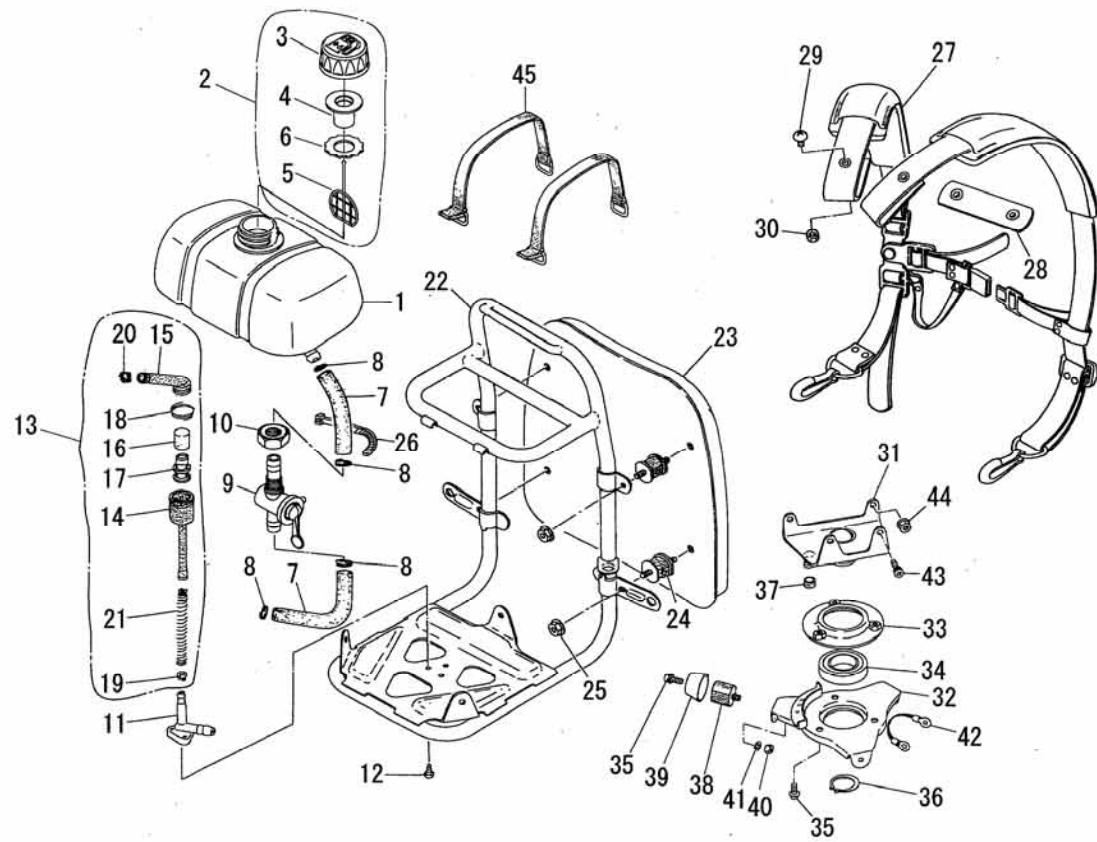












PRICE:(\$)

Ref. No.	Part No.	Part Name	Q`ty	Unit Price(\$)	Remarks
13-1	20051-85110	FUEL TANK	1		
2	70199-85202	FUEL CAP ASSY	1		
3	20040-85211	FUEL CAP	1		
4	70199-85241	INNER CAP	1		
5	62800-35320	ANCHOR	1		
6	20040-85220	PACKING	1		
7	70051-85410	FUEL PIPE	2		
8	20051-85420	CLIP	4		
9	20051-85310	FUEL COCK SUBASSY	1		
10	20051-85320	NUT	1		
11	20050-85461	ELBOW	1		
12	11202-40100	SCREW,HILO	3		4x10
13	70051-85502	FILTER SUBASSY	1		
14	20051-85510	*FUEL PIPE	1		
15	70051-85521	*FUEL PIPE,A	1		
16	20051-85540	*FILTER,A	1		
17	20051-85531	*FILTER	1		
18	20050-85580	*CLIP	1		
19	20050-85560	*CLIP	1		
20	20051-85570	*CLIP,A	1		
21	20051-85590	*SPRING	1		
22	20051-86112	FRAME	1		
23	20051-86120	PAD	1		
24	20051-86160	CUSHION	4		
25	11526-05112	FLANGE NUT	4		M5
26	20000-83150	CLAMP	1		
27	70199-86200	BAND ASSY	1		
28	20051-86320	JOINT BAND	1		
29	01215-06140	SCREW,TRUSS	2		M6x14
30	22011-97840	LOCK NUT	2		
31	20050-87110	BRACKET,A	1		
32	20050-87120	BRACKET,B	1		
33	20050-87131	RETAINER	1		
34	02002-06005	BALL BEARING	1		6005ZZ
35	11206-05100	SCREW,PM-SPW	6		M5x10
36	02430-25120	SNAP RING	1		25mm C
37	20050-87150	STOP CUSHION	1		
38	20050-87160	CUSHION	3		

