

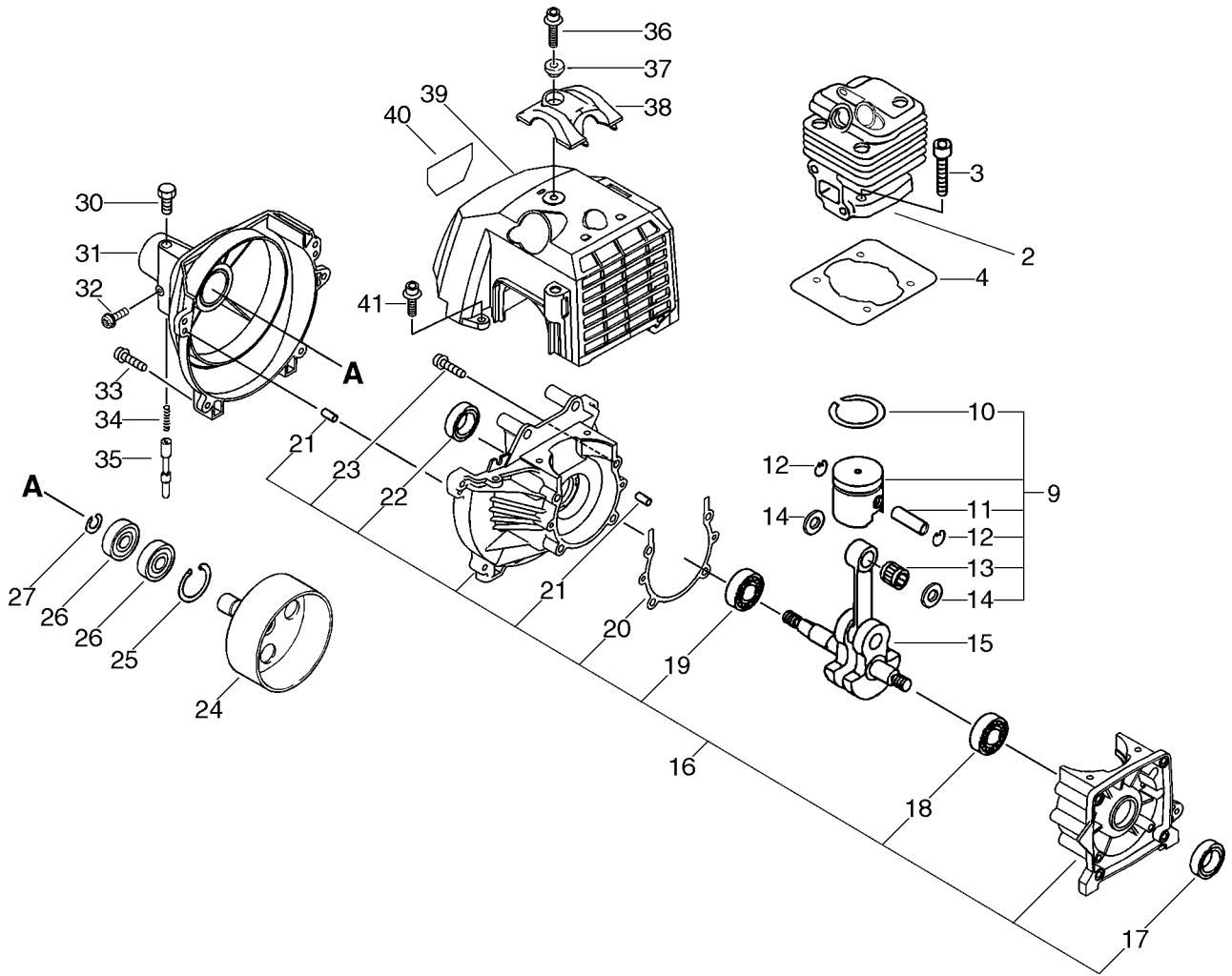
shindaiwa

PARTS CATALOGUE

TRIMMER/ BRUSHCUTTER

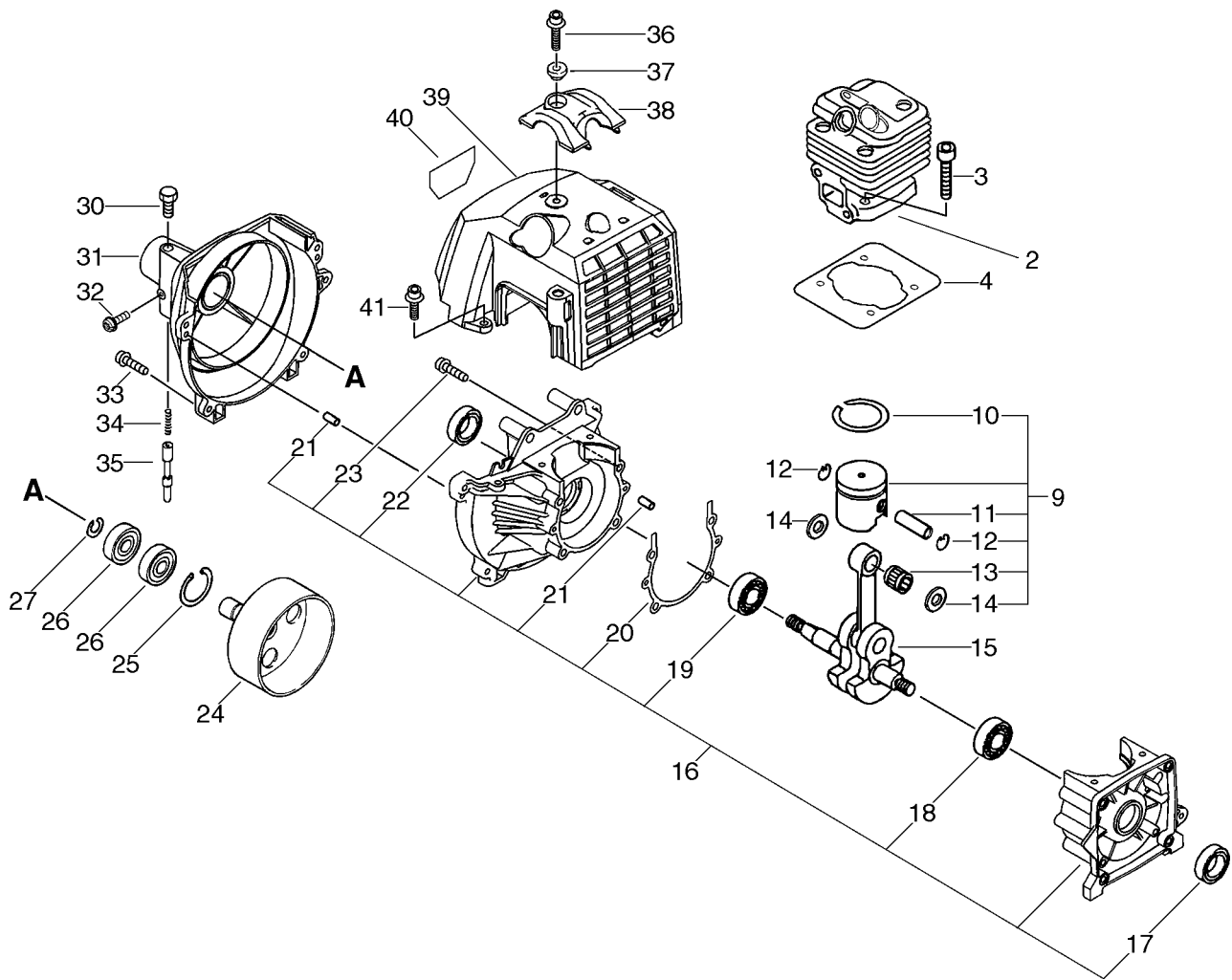
BP520S

CE

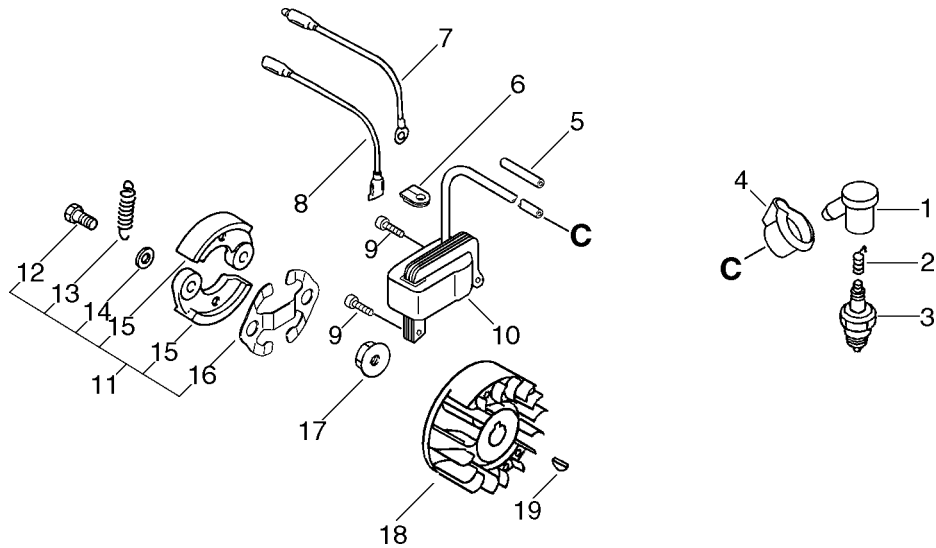


KEY	LV	PART NUMBER	Q'TY	DESCRIPTION	REMARKS
2		A130-000960	1	CYLINDER	
3		900162-05020	4	BOLT, H.S. 5*20	
4		V100-000280	1	GASKET,CYL	
9		P021-016630	1	PISTON KIT	
10	+	A101-000220	1	RING, PISTON	
11	+	V608-000000	1	PIN,ENG 10	
12	+	V580-000010	2	RING,END	
13	+	100012-12331	1	BEARING, NEEDLE	
14	+	V307-000060	2	WASHER,CIRCULAR 10	
15		A011-000120	1	CRANKSHAFT,ASM	
16		P021-002471	1	CRANKCASE SET	
17	+	100213-05530	1	OILSEAL	
18	+	94035-36201	1	BEARING BALL	
19	+	900810-36202	1	BEARING, BALL 6202	
20	+	V102-000001	1	GASKET,CRANKCASE	
21	+	100215-03930	4	PIN, DOWEL	
22	+	100213-00310	1	OILSEAL	
23	+	900162-05035	4	BOLT, H.S. 5*35	
24		A556-000151	1	DRUM,CLUTCH	
25		900702-00028	1	CIRCLIP 28	
26		94042-06001	2	BEARING BALL	
27		900701-00012	1	CIRCLIP 12	
30		610250-45930	1	BOLT	
31		A172-000920	1	COVER,FAN	

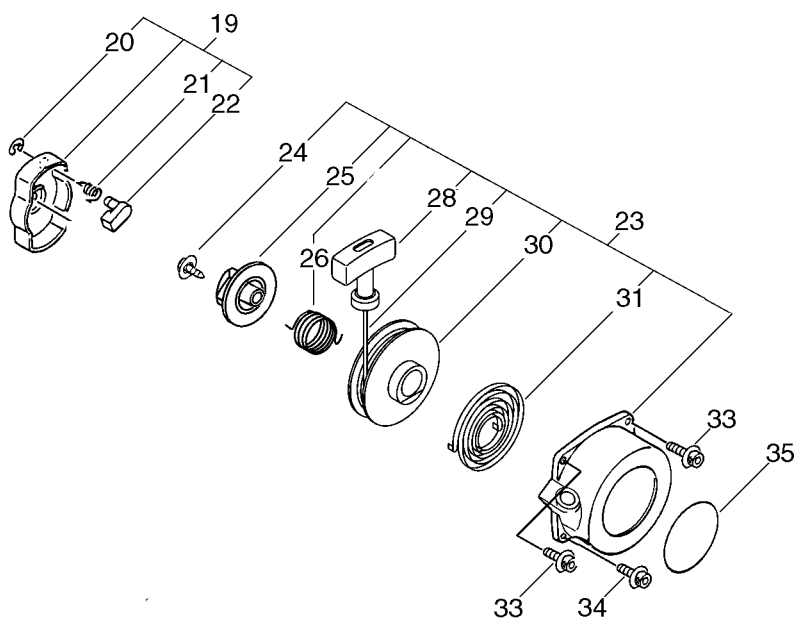
1 Cylinder, Crankcase, Piston, Fan Cover



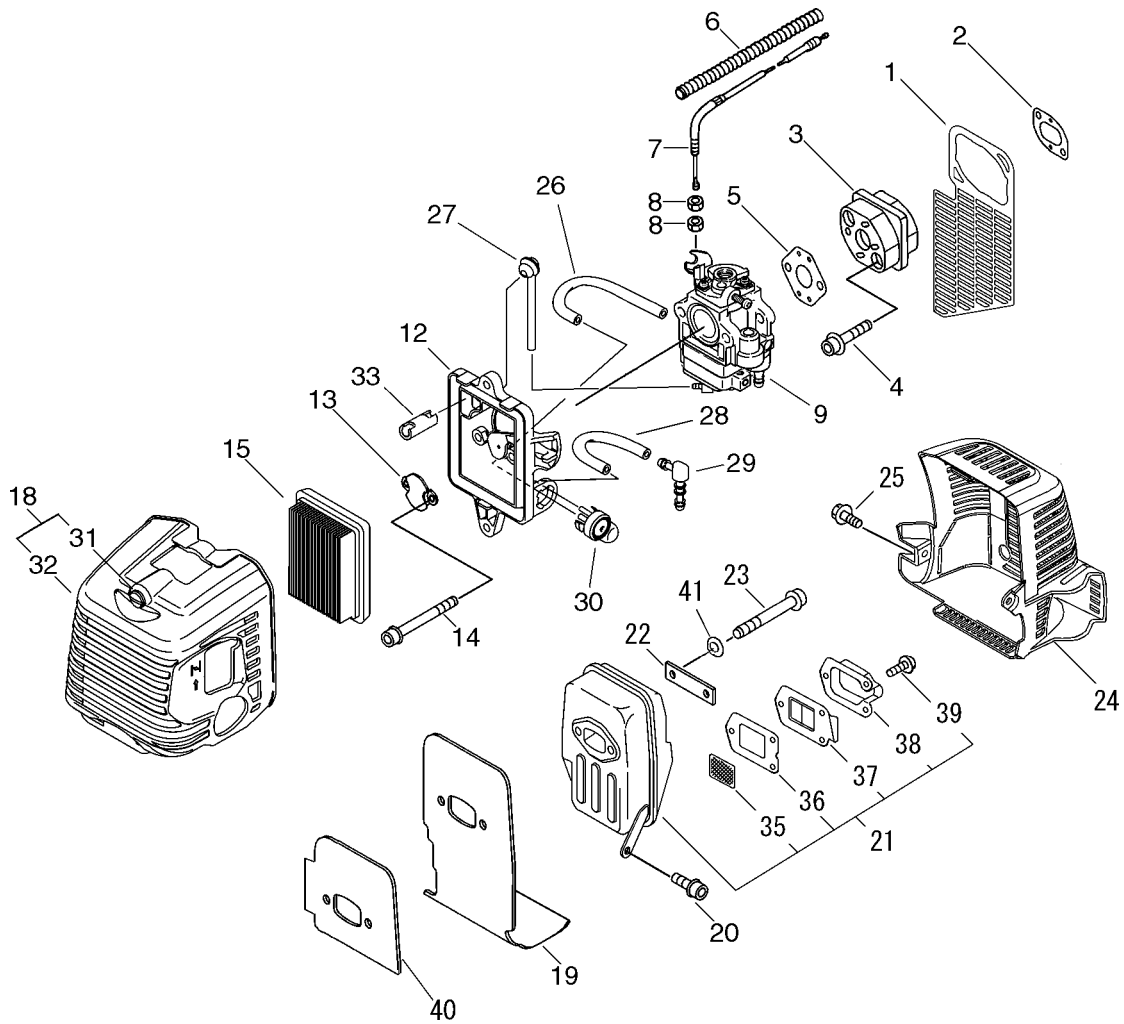
KEY	LV	PART NUMBER	Q'TY	DESCRIPTION	REMARKS
32		900241-04008	1	SCREW 4*8	
33		91118-05020	4	BOLT	
34		610251-45930	1	SPRING	
35		610252-45931	1	LOCKPIN	
36		91121-05020	1	BOLT, FLANGE	
37		V353-000020	1	COLLAR,5	
38		A162-000020	1	GUARD, TOP	
39		A160-001250	1	COVER, CYLINDER	
40		X503-009970	1	LABEL, MODEL	
41		91121-05012	1	BOLT, FLANGE	



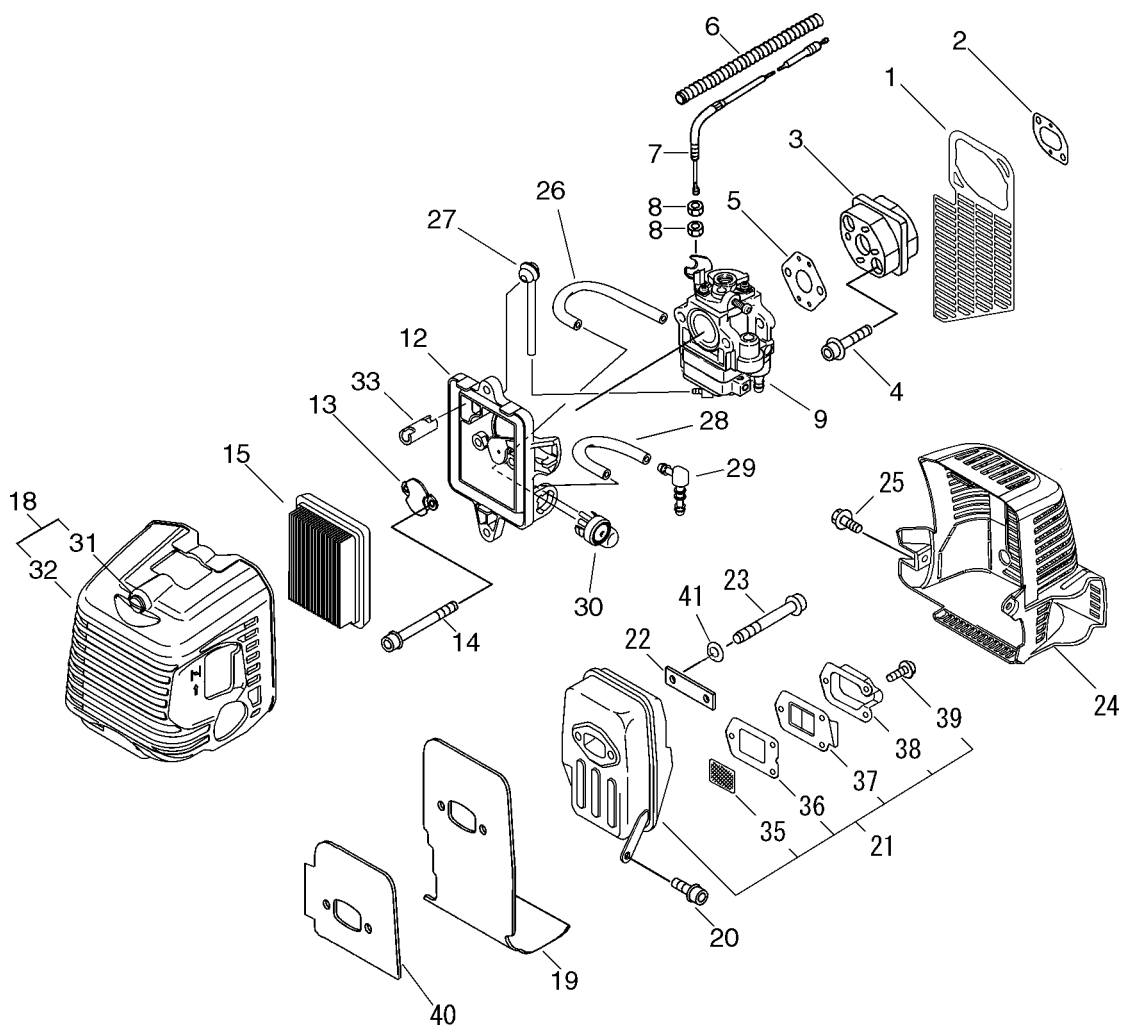
KEY	LV	PART NUMBER	Q'TY	DESCRIPTION	REMARKS
1		A427-000000	1	CAP, SPARK PLUG	
2		A426-000000	1	TERMINAL, SPARK PLUG	
3		159010-10230	1	PLUG, SPARK (BPMR-7A	
4		V141-000020	1	GROMMET, PLUG	
5		V475-001610	1	TUBE	
6		156114-04920	1	GROMMET	
7		162010-29330	1	LEAD, GROUND	
8		V485-000150	1	LEAD	
9		900162-05020	2	BOLT, H.S. 5*20	
10		A411-000480	1	COIL, IGNITION	
11		P021-016610	1	CLUTCH ASY	
12	+	A557-000000	2	SHAFT, CLUTCH	
13	+	V451-000480	1	SPRING, TENSION	
14	+	175049-03920	2	WASHER	
15	+	A553-000040	2	ARM, CLUTCH	
16	+	V453-000100	1	SPRING, FLAT	
17		900519-00010	1	NUT, FLANGE 10	
18		A409-000380	1	ROTOR, MAGNETO	
19		900323-03014	1	KEY WOODRUFF	



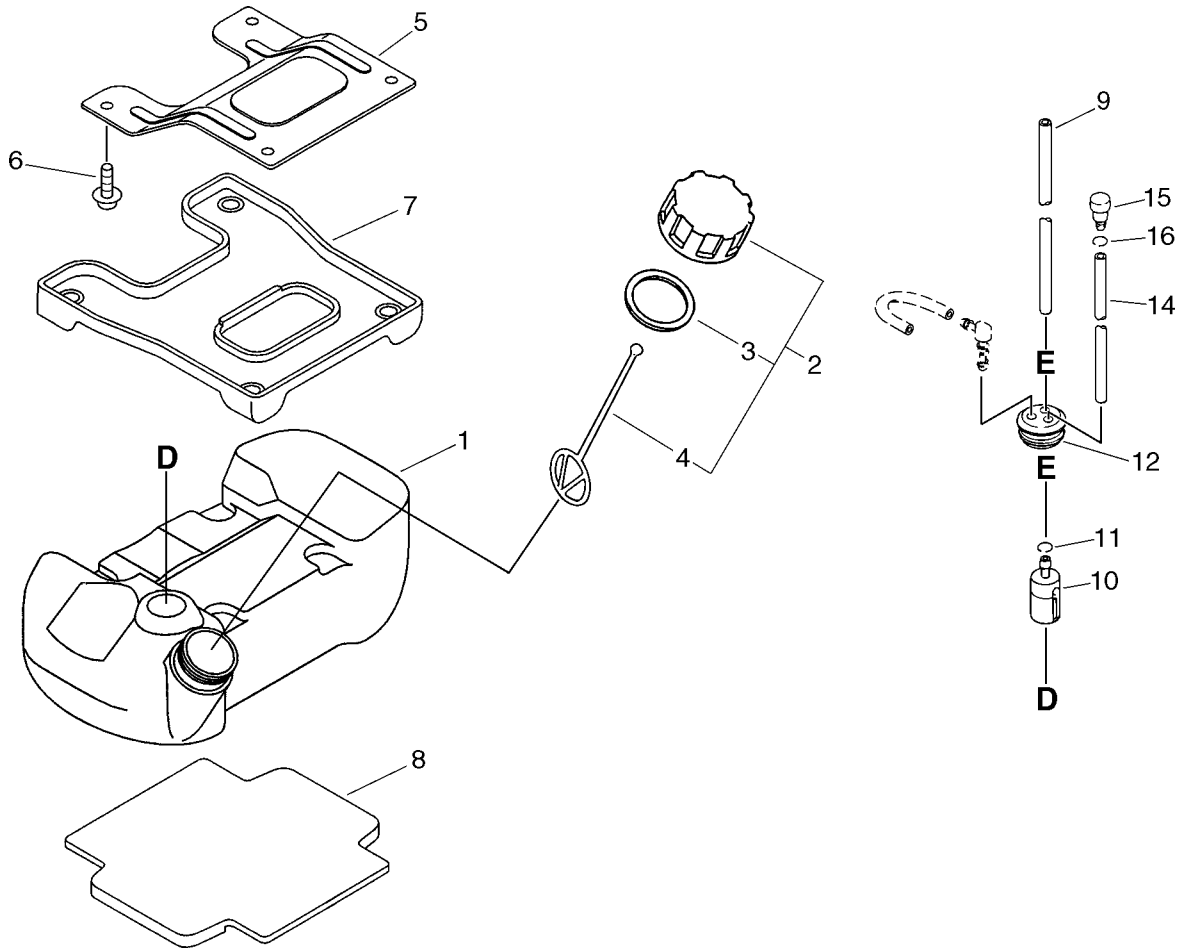
KEY	LV	PART NUMBER	Q'TY	DESCRIPTION	REMARKS
19		A052-000230	1	PULLEY,ASM STARTER	
20	+	P022-002100	2	E-RING	
21	+	P022-003130	2	SPRING, RETURN	
22	+	P022-023090	2	PAWL, STARTER	
23		A051-001440	1	STARTER,RECOIL	
24	+	P022-023110	1	SCREW	
25	+	P022-023130	1	PLATE, CAM	
26	+	P022-023120	1	SPRING,DAMPER	
28	+	177228-27030	1	GRIP, STARTER	
29	+	P022-023100	1	ROPE, STARTER	
30	+	P022-023140	1	DRUM, STARTER	
31	+	P022-004680	1	SPRING, SPIRAL	
33		91121-05025	2	BOLT, FLANGE	
34		91121-05020	2	BOLT, FLANGE	
35		X503-009980	1	LABEL,MODEL	



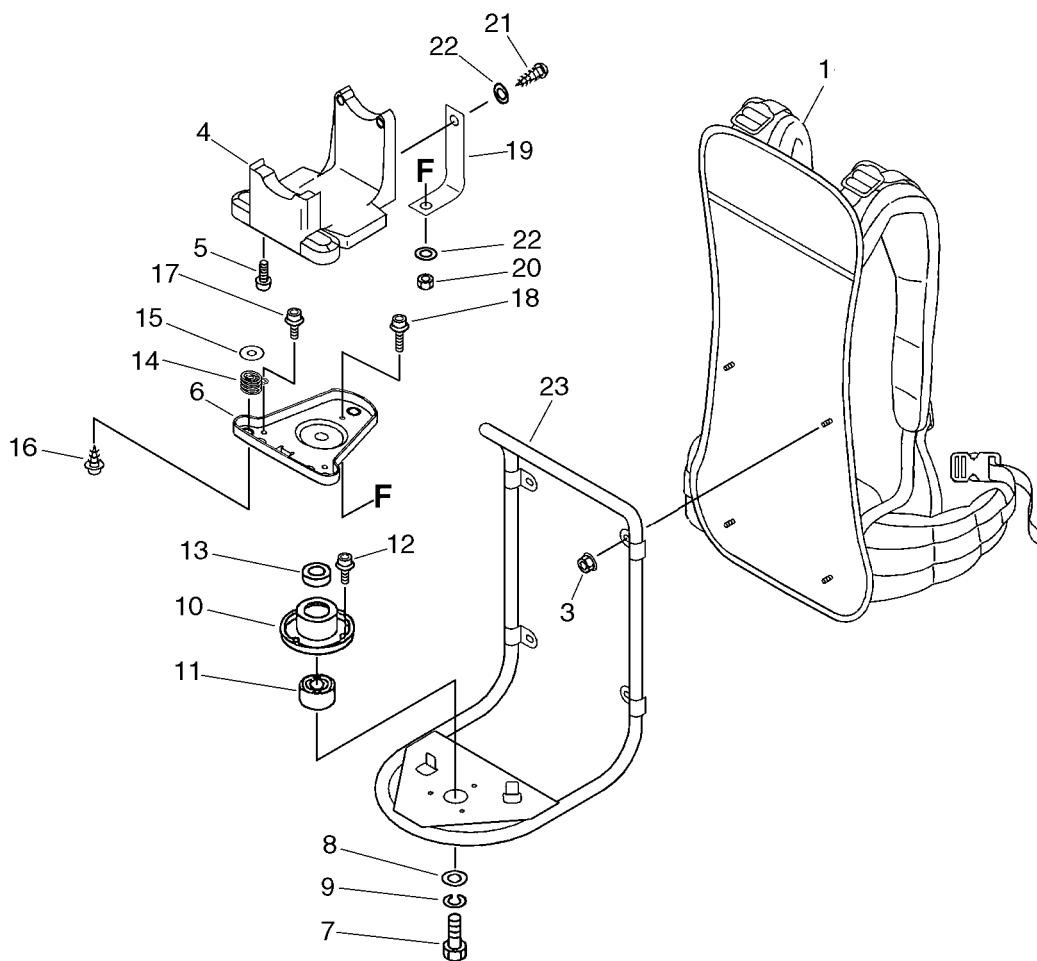
KEY	LV	PART NUMBER	Q'TY	DESCRIPTION	REMARKS
1		A128-000060	1	PLATE,DUST	
2		V103-000070	1	GASKET,INTAKE	
3		A200-000060	1	INSULATOR,INTAKE	
4		900106-05025	2	BOLT, H.S. 5*25	
5		V103-000080	1	GASKET,INTAKE	
6		V475-001510	1	TUBE	
7		V430-000310	1	CABLE,BOWDEN	
8		900502-00006	2	NUT 6 (3N)	
9		A021-001860	1	CARBURETOR,DIAPHRAGM	
12		P021-034340	1	CASE, AIR CLEANER	
13		A244-000010	1	PLATE,PREVENT	
14		900105-05055	2	BOLT, H.S. 5*55	
15		A226-000360	1	ELEMENT, AIR FILTER	
18		P021-034350	1	LID,CLEANER ASY	
31	+	V253-000100	2	SCREW,5	
32	+	A232-000530	1	LID,CLEANER	
19		V104-000930	1	GASKET,EXHAUST	
20		900162-05012	1	BOLT, H.S. 5*12	
21		P021-016890	1	MUFFLER ASY	
35	+	A310-000110	1	SCREEN, ARRESTOR	
36	+	145866-42031	1	GASKET, MUFFLER LID	
37	+	145863-04560	1	HOLDER, SCREEN	
38	+	A313-001060	1	GUIDE, EXHAUST	
39	+	900242-04010	3	SCREW 4*10	



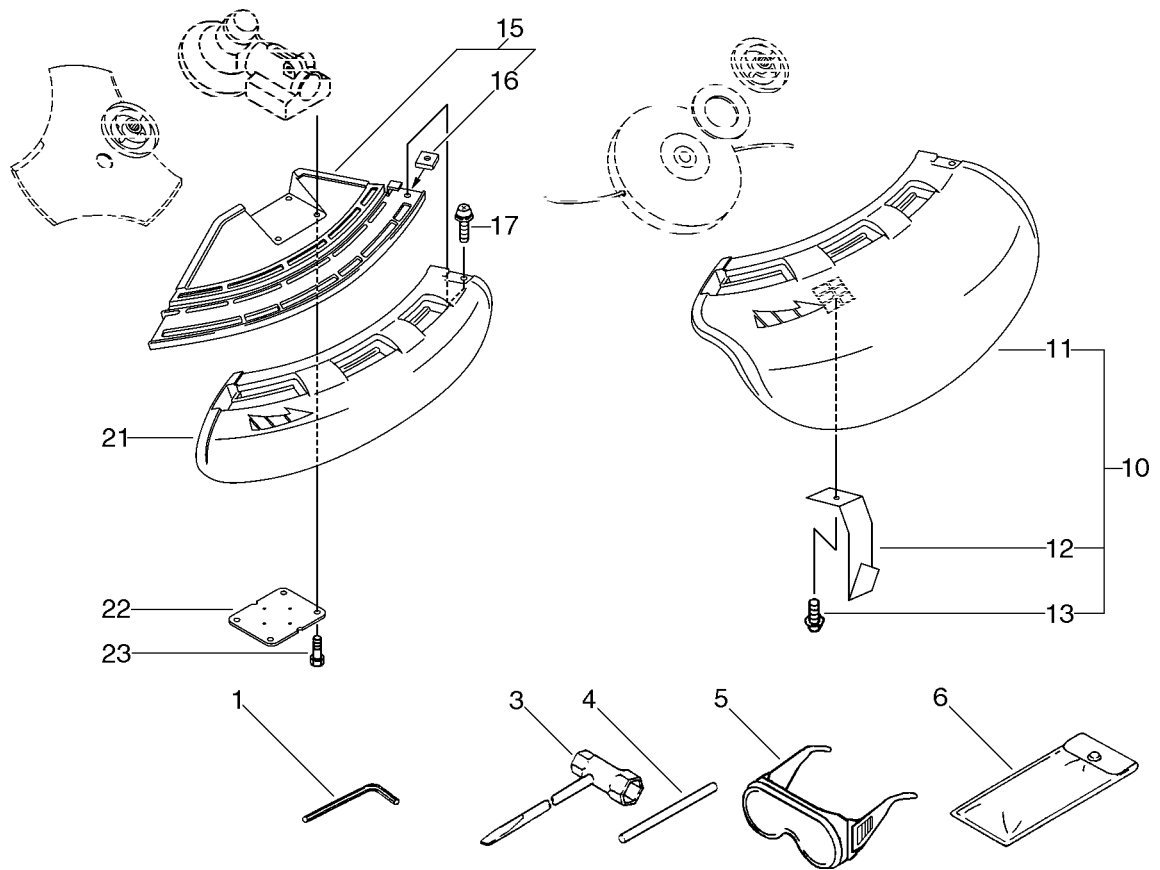
KEY	LV	PART NUMBER	Q'TY	DESCRIPTION	REMARKS
22		V150-000550	1	PLATE,EYE	
23		91100-06070	2	BOLT HSH	
24		A320-000550	1	COVER,MUFFLER	
25		91121-05012	1	BOLT, FLANGE	
26		V471-001560	1	PIPE	
27		132012-39331	1	PIPE	
28		437215-20760	1	PIPE 3*6*60	
29		V186-000080	1	JOINT,PIPE	
30		123181-39130	1	PUMP, PRIMER	
33		A239-000050	1	PIPE, INTAKE	
40		A312-000000	1	PLATE, EXHUST	
41		900628-00006	2	WASHER, SPRING 6	



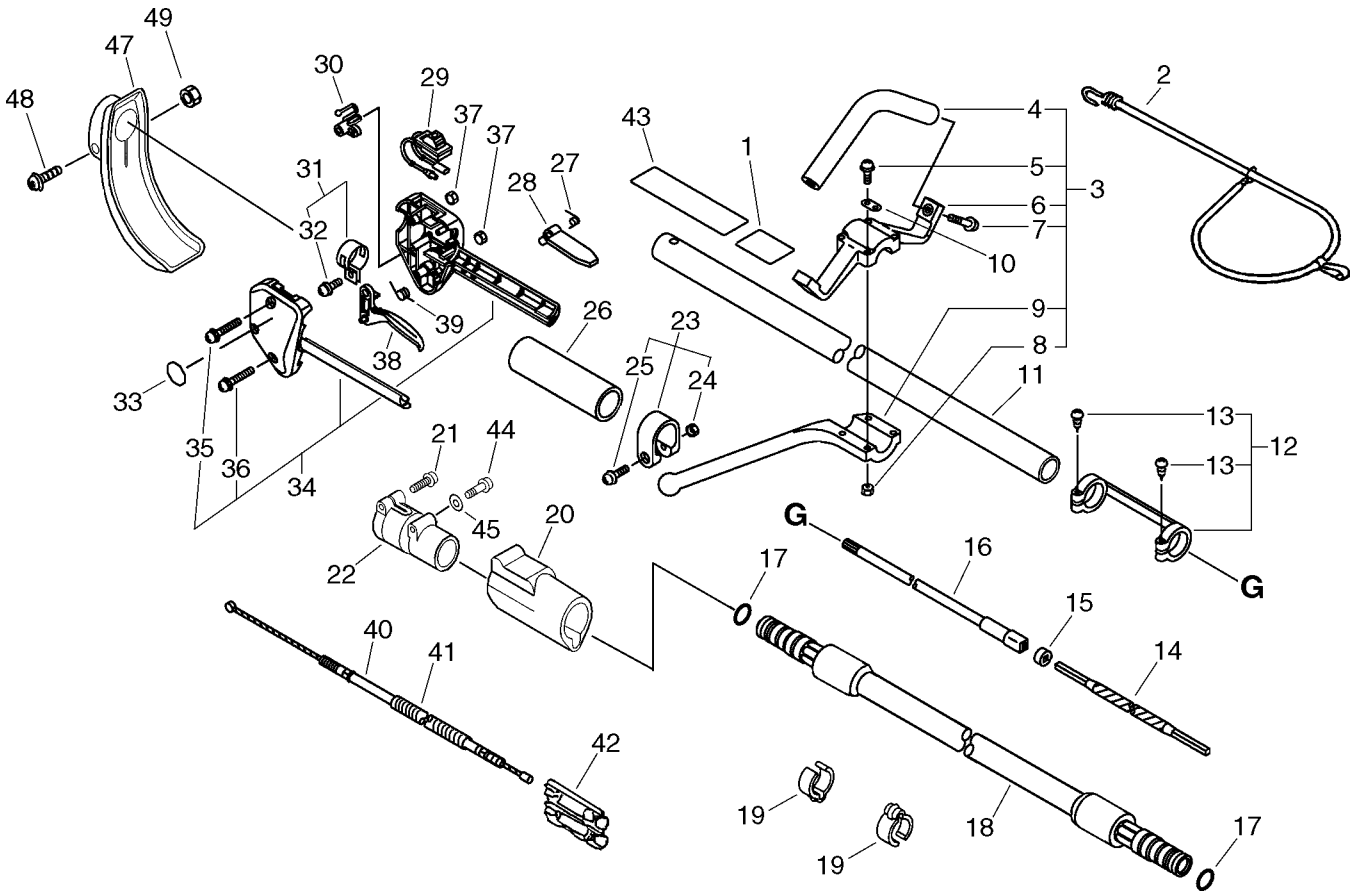
KEY	LV	PART NUMBER	Q'TY	DESCRIPTION	REMARKS
1		A350-000081	1	TANK,FUEL	
2		P021-014060	1	CAP,FUER ASSY	
3	+	131016-55830	1	GASKET, FUEL CAP	
4	+	131051-56030	1	CLIP, FUEL CAP	
5		A393-000030	1	BRACKET,FUEL TANK	
6		900106-05012	4	BOLT, H.S. 5*12	
7		A390-000000	1	SEAT,FUEL TANK	
8		A390-000010	1	SEAT,FUEL TANK	
9		132010-53630	1	PIPE	
10		131205-19831	1	STRAINER, FUEL	
11		132013-26630	1	CLIP	
12		132115-55930	1	GROMMET, FUEL	
14		132012-02960	1	PIPE, FUEL	
15		131300-56430	1	VALVE, CHECK	
16		132013-26630	1	CLIP	



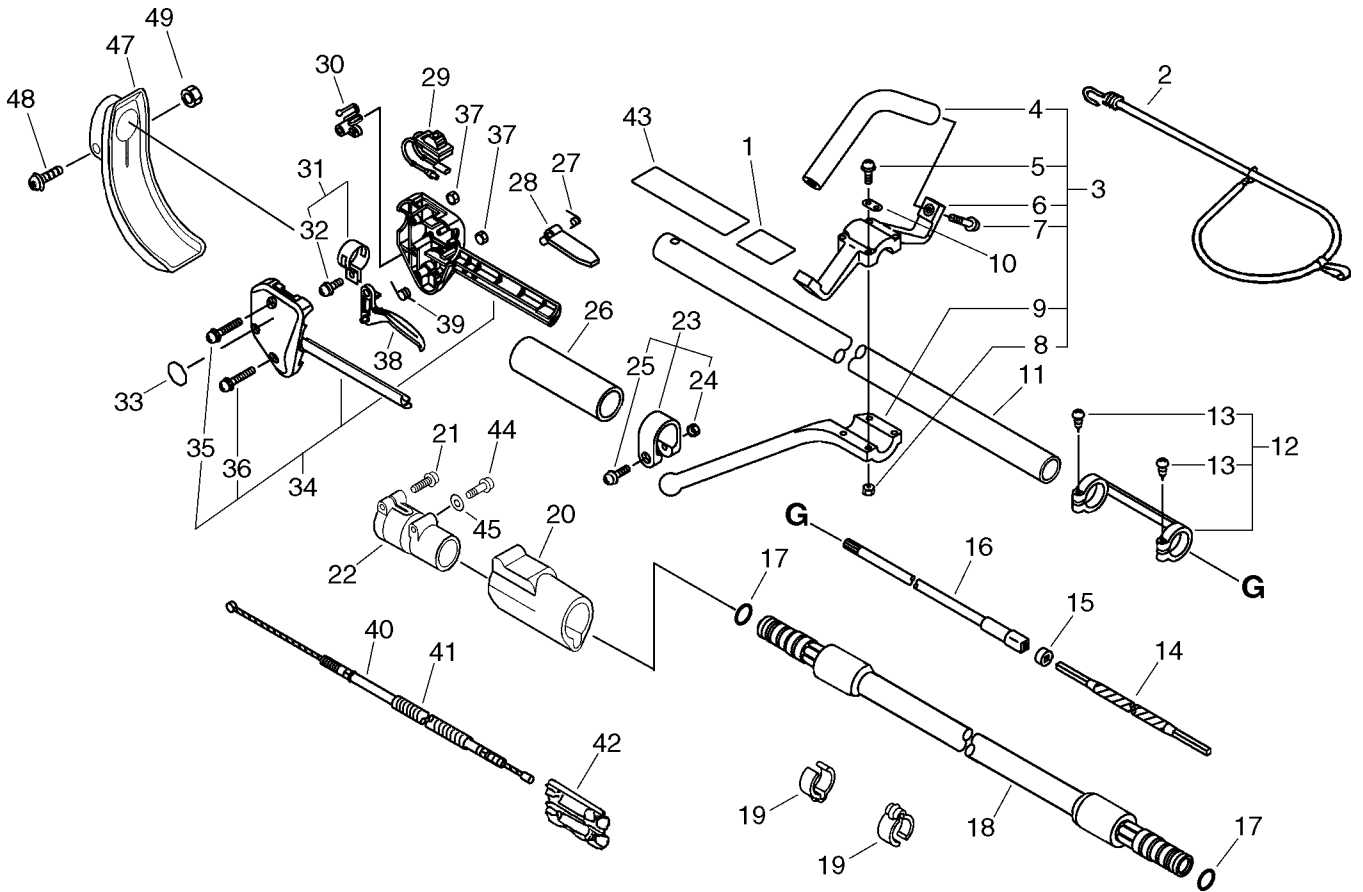
KEY	LV	PART NUMBER	Q'TY	DESCRIPTION	REMARKS
1		C061-000240	1	HARNESS,ASM BACKPACK	
3		900516-00005	4	NUT, FRANGE 5	
4		C632-000010	1	PLATE,ENG	
5		900106-05020	2	BOLT, H.S. 5*20	
6		C627-000020	1	PLATE,ROTATION	
7		900100-10025	1	BOLT 10*25	
8		900600-00010	1	WASHER 10	
9		900605-00010	1	WASHER, SPRING 10	
10		104926-56230	1	HOLDER, BEARING	
11		94064-06202	1	BEARING BALL	
12		91121-05012	3	BOLT, FLANGE	
13		604044-12560	1	COLLER15.3*21.5*3.2T	
14		V450-000141	3	SPRING,COMPRESSION	
15		177214-02830	3	WASHER	
16		91147-05020	3	BOLT HS FL TAPP	
17		900106-05012	2	BOLT, H.S. 5*12	
18		900106-05016	1	BOLT, H.S. 5*16	
19		C617-000090	1	STOPPER	
20		900502-00005	1	NUT 5 (3N)	
21		91145-05016	1	BOLT HS TAPPING	
22		900600-00005	2	WASHER 5	
23		C620-000110	1	FRAME,BACKPACK	



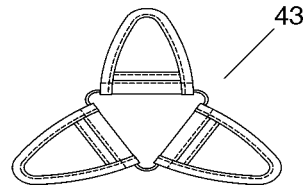
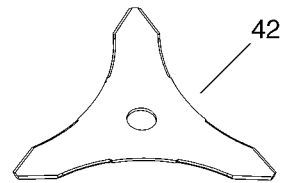
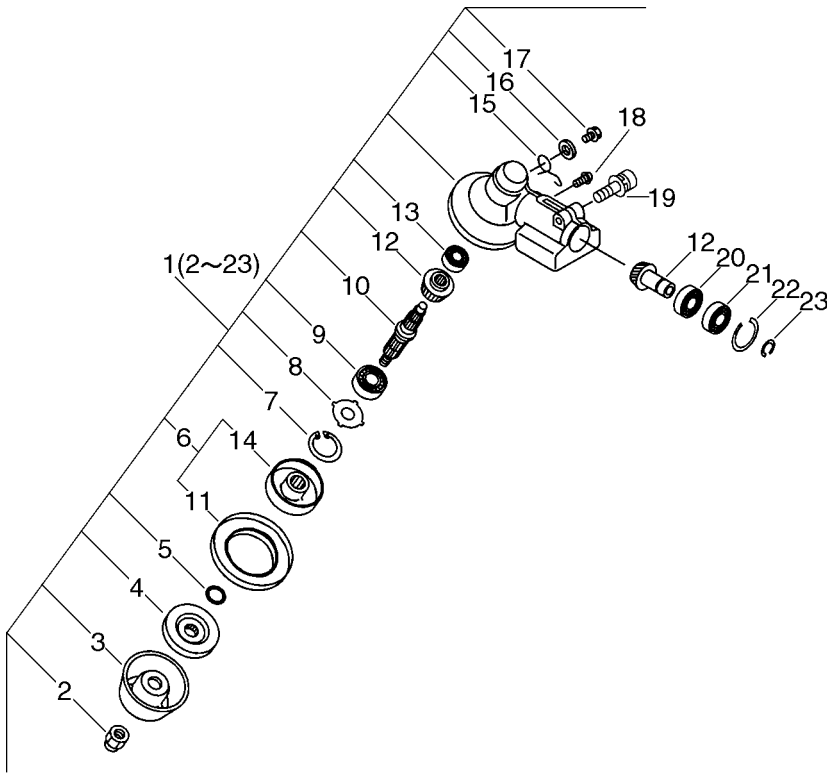
KEY	LV	PART NUMBER	Q'TY	DESCRIPTION	REMARKS
1		895610-00130	1	L-WRENCH (4MM)	
3		X602-000020	1	TOOL,WRENCH	
4		X606-000080	1	TOOL,BAR	
5		X690-000030	1	GOGGLE	
6		898510-07130	1	BAG, TOOL	
10		P021-034370	1	SHIELD KIT	
11	+	C550-000310	1	SHIELD,BLADE	
12	+	C554-000030	1	KNIFE, CORD	
13	+	900252-05012	1	SCREW 5*12	
15		C550-000330	1	SHIELD,BLADE	
16	+	900565-00005	1	NUT	
17		900242-05018	1	SCREW 5*18	
21		C550-000320	1	SHIELD,BLADE	
22		699013-56830	1	PLATE, SHIELD	
23		91118-05025	4	BOLT	



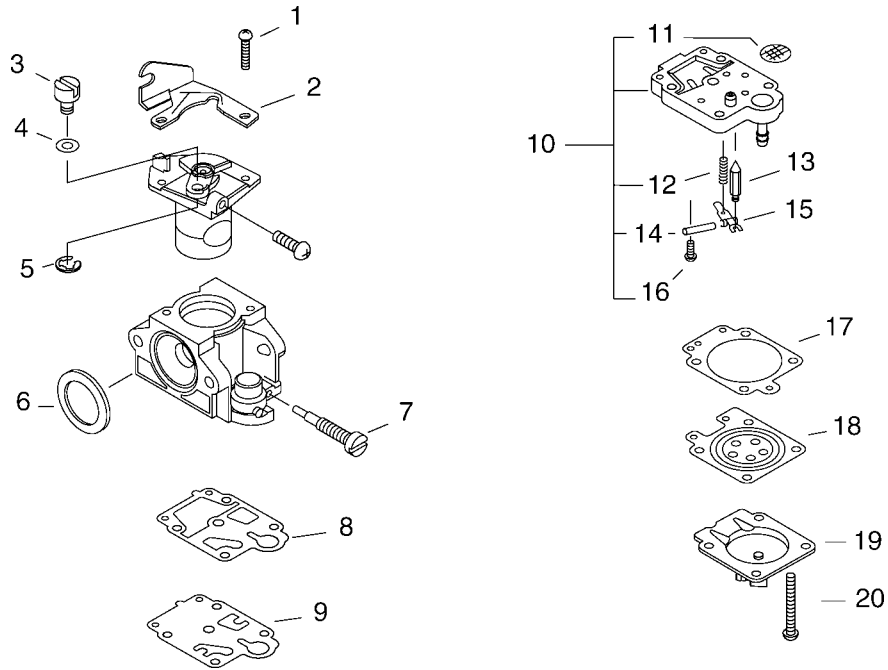
KEY	LV	PART NUMBER	Q'TY	DESCRIPTION	REMARKS
1		890160-42230	1	LABEL, CAUTION	
2		300500-07131	1	ROPE, ELASTIC	
3		351201-50431	1	HANDLE ASSY, LOOP	
4	+	351205-07131	1	HANDLE	
5	+	900242-05035	4	SCREW 5*35	
6	+	351232-07130	1	BRACKET, HANDLE 28	
7	+	900242-05014	2	SCREW 5*14	
8	+	900500-00005	4	NUT 5	
9	+	351643-55630	1	BRACKET, HANDLE	
10		300515-07130	1	PLATE, ROPE	
11		C050-000040	1	PIPE, MAIN	
12		610281-42230	1	COLLER	
13	+	900253-04025	2	SCREW 4*25	
14		610013-27630	1	SHAFT, FLEXIBLE(HARD)	
15		610020-07131	1	ADAPTER, FLX. SHAFT	
16		C504-000070	1	SHAFT, DRIVE	
17		900720-00018	2	O-RING 18	
18		C508-000020	1	COVER, FLEX SHAFT	
19		224924-52130	2	CLIP	
20		C483-000010	1	BOOT, CONNECTOR	
21		91118-05030	1	BOLT	
22		C510-000020	1	COUPLING, MAIN PIPE	
23		610272-51830	1	BAND	
24	+	900500-00005	1	NUT 5	



KEY	LV	PART NUMBER	Q'TY	DESCRIPTION	REMARKS
25	+	900242-05028	1	SCREW 5*28	
26		351213-51830	1	GRIP, FRONT HANDLE	
27		178013-52630	1	SPRING, THR. LOCK	
28		C460-000160	1	LOCKOUT, THROTTLE	
29		A440-001270	1	SWITCH, ON OFF	
30		178012-52630	1	LOCKOUT, THROTTLE	
31		301200-42230	1	HOOK ASSY	
32	+	900242-05014	1	SCREW 5*14	
33		890157-39130	1	LABEL, SWITCH	
34		178003-51830	1	BRACKET SET, THROTTLE	
35	+	900242-05035	1	SCREW 5*35	
36	+	900242-05025	1	SCREW 5*25	
37	+	900500-00005	2	NUT 5	
38		C450-000370	1	TRIGGER, THROTTLE	
39		178043-42230	1	SPRING, THR. RETURN	
40		V430-000321	1	CABLE, BOWDEN	
41		V475-001500	1	TUBE	
42		178081-55932	1	CONNECTOR, CABLE	
43		890617-43130	1	LABEL, CAUTION	
44		610257-56330	1	BOLT	
45		900600-00005	1	WASHER 5	
47		A248-000000	1	GUARD, LEVER	
48		900242-05025	1	SCREW 5*25	
49		900500-00005	1	NUT 5	



KEY	LV	PART NUMBER	Q'TY	DESCRIPTION	REMARKS
1		P021-012591	1	CASE,GEAR	
2	+	610320-52130	1	NUT 10	
3	+	699229-56830	1	PLATE, COVER	
4	+	610314-52130	1	PLATE, ADAPTER (L)	
5	+	900720-00012	1	O-RING 12	
6	+	C535-000001	1	FIXTURE, BLADE	
11	++	610352-56830	1	PLATE, CUP	
14	++	C535-000011	1	FIXTURE, BLADE	
7	+	900702-00032	1	CIRCLIP 32	
8	+	610444-56830	1	WASHER	
9	+	900812-06201	1	BEARING, BALL 6201	
10	+	610310-56931	1	SHAFT, P.T.O.	
12	+	610300-56930	1	GEAR SET	
13	+	900810-00629	1	BEARING, BALL 629	
15	+	610473-52131	1	SPRING	
16	+	900603-50008	1	WASHER	
17	+	610434-50031	1	BOLT 8* 8	
18	+	900242-05010	1	SCREW 5*10	
19	+	91118-06030	1	BOLT	
20	+	900800-06001	1	BEARING, BALL 6001	
21	+	900803-06001	1	BEARING, BALL 6001	
22	+	900702-00028	1	CIRCLIP 28	
23	+	900701-00012	1	CIRCLIP 12	
42		P021-014320	1	SAW, BUSH CUTTER	
43		X495-000270	1	SCABBARD, BLADE	



KEY	LV	PART NUMBER	Q'TY	DESCRIPTION	REMARKS
0		A021-001860	1	CARBURETOR,DIAPHRAGM	
1	+	123114-40630	2	SCREW	
2	+	P003-000180	1	BRACKET CABLE	
3	+	123172-45130	1	SWIVEL	
4	+	123149-54230	1	WASHER	
5	+	123173-07930	1	CLIP	
6	+	123143-12110	1	RING, PACKING	
7	+	P003-001130	1	NEEDLE, HIGH SPEED	
8	+	P003-000100	1	GASKET, PUMP	
9	+	123112-40630	1	DIAPHRAGM, PUMP	
10	+	P003-001490	1	BODY ASSEMBLY, PUMP	
11	++	123126-10631	1	SCREEN, INLET	
12	++	123122-05560	1	SPRING, METER. LEVER	
13	++	123137-19830	1	VALVE, INLET NEEDLE	
14	++	123138-03930	1	PIN, METERING LEVER	
15	++	123123-03930	1	LEVER, METERING	
16	++	123139-05560	1	SCREW, M. LEVER PIN	
17	+	123140-27230	1	GASKET,M. DIAPHRAGM	
18	+	P003-001850	1	DIAPHRAGM, METERING	
19	+	P003-001500	1	COVER, PRIMER PUMP	
20	+	123144-44330	4	SCREW	

Index

Parts Number	Key No.	Parts Number	Key No.	Parts Number	Key No.
A011-000120	1 - 15	C627-000020	6 - 6	V608-000000	1 - 11
A021-001860	4 - 9	C632-000010	6 - 4	X495-000270	9 - 43
A021-001860	11 - 0	P003-000100	11 - 8	X503-009970	1 - 40
A051-001440	3 - 23	P003-000180	11 - 2	X503-009980	3 - 35
A052-000230	3 - 19	P003-001130	11 - 7	X602-000020	7 - 3
A101-000220	1 - 10	P003-001490	11 - 10	X606-000080	7 - 4
A128-000060	4 - 1	P003-001500	11 - 19	X690-000030	7 - 5
A130-000960	1 - 2	P003-001850	11 - 18	100012-12331	1 - 13
A160-001250	1 - 39	P021-002471	1 - 16	100213-00310	1 - 22
A162-000020	1 - 38	P021-012591	9 - 1	100213-05530	1 - 17
A172-000920	1 - 31	P021-014060	5 - 2	100215-03930	1 - 21
A200-000060	4 - 3	P021-014320	9 - 42	104926-56230	6 - 10
A226-000360	4 - 15	P021-016610	2 - 11	123112-40630	11 - 9
A232-000530	4 - 32	P021-016630	1 - 9	123114-40630	11 - 1
A239-000050	4 - 33	P021-016890	4 - 21	123122-05560	11 - 12
A244-000010	4 - 13	P021-034340	4 - 12	123123-03930	11 - 15
A248-000000	8 - 47	P021-034350	4 - 18	123126-10631	11 - 11
A310-000110	4 - 35	P021-034370	7 - 10	123137-19830	11 - 13
A312-000000	4 - 40	P022-002100	3 - 20	123138-03930	11 - 14
A313-001060	4 - 38	P022-003130	3 - 21	123139-05560	11 - 16
A320-000550	4 - 24	P022-004680	3 - 31	123140-27230	11 - 17
A350-000081	5 - 1	P022-023090	3 - 22	123143-12110	11 - 6
A390-000000	5 - 7	P022-023100	3 - 29	123144-44330	11 - 20
A390-000010	5 - 8	P022-023110	3 - 24	123149-54230	11 - 4
A393-000030	5 - 5	P022-023120	3 - 26	123172-45130	11 - 3
A409-000380	2 - 18	P022-023130	3 - 25	123173-07930	11 - 5
A411-000480	2 - 10	P022-023140	3 - 30	123181-39130	4 - 30
A426-000000	2 - 2	V100-000280	1 - 4	131016-55830	5 - 3
A427-000000	2 - 1	V102-000001	1 - 20	131051-56030	5 - 4
A440-001270	8 - 29	V103-000070	4 - 2	131205-19831	5 - 10
A553-000040	2 - 15	V103-000080	4 - 5	131300-56430	5 - 15
A556-000151	1 - 24	V104-000930	4 - 19	132010-53630	5 - 9
A557-000000	2 - 12	V141-000020	2 - 4	132012-02960	5 - 14
C050-000040	8 - 11	V150-000550	4 - 22	132012-39331	4 - 27
C061-000240	6 - 1	V186-000080	4 - 29	132013-26630	5 - 11
C450-000370	8 - 38	V253-000100	4 - 31	132013-26630	5 - 16
C460-000160	8 - 28	V307-000060	1 - 14	132115-55930	5 - 12
C483-000010	8 - 20	V353-000020	1 - 37	145863-04560	4 - 37
C504-000070	8 - 16	V430-000310	4 - 7	145866-42031	4 - 36
C508-000020	8 - 18	V430-000321	8 - 40	156114-04920	2 - 6
C510-000020	8 - 22	V450-000141	6 - 14	159010-10230	2 - 3
C535-000001	9 - 6	V451-000480	2 - 13	162010-29330	2 - 7
C535-000011	9 - 14	V453-000100	2 - 16	175049-03920	2 - 14
C550-000310	7 - 11	V471-001560	4 - 26	177214-02830	6 - 15
C550-000320	7 - 21	V475-001500	8 - 41	177228-27030	3 - 28
C550-000330	7 - 15	V475-001510	4 - 6	178003-51830	8 - 34
C554-000030	7 - 12	V475-001610	2 - 5	178012-52630	8 - 30
C617-000090	6 - 19	V485-000150	2 - 8	178013-52630	8 - 27
C620-000110	6 - 23	V580-000010	1 - 12	178043-42230	8 - 39

Index

Parts Number	Key No.	Parts Number	Key No.	Parts Number	Key No.
178081-55932	8 - 42	900242-05014	8 - 7	91145-05016	6 - 21
224924-52130	8 - 19	900242-05014	8 - 32	91147-05020	6 - 16
300500-07131	8 - 2	900242-05018	7 - 17	94035-36201	1 - 18
300515-07130	8 - 10	900242-05025	8 - 36	94042-06001	1 - 26
301200-42230	8 - 31	900242-05025	8 - 48	94064-06202	6 - 11
351201-50431	8 - 3	900242-05028	8 - 25		
351205-07131	8 - 4	900242-05035	8 - 5		
351213-51830	8 - 26	900242-05035	8 - 35		
351232-07130	8 - 6	900252-05012	7 - 13		
351643-55630	8 - 9	900253-04025	8 - 13		
437215-20760	4 - 28	900323-03014	2 - 19		
604044-12560	6 - 13	900500-00005	8 - 8		
610013-27630	8 - 14	900500-00005	8 - 24		
610020-07131	8 - 15	900500-00005	8 - 37		
610250-45930	1 - 30	900500-00005	8 - 49		
610251-45930	1 - 34	900502-00005	6 - 20		
610252-45931	1 - 35	900502-00006	4 - 8		
610257-56330	8 - 44	900516-00005	6 - 3		
610272-51830	8 - 23	900519-00010	2 - 17		
610281-42230	8 - 12	900565-00005	7 - 16		
610300-56930	9 - 12	900600-00005	6 - 22		
610310-56931	9 - 10	900600-00005	8 - 45		
610314-52130	9 - 4	900600-00010	6 - 8		
610320-52130	9 - 2	900603-50008	9 - 16		
610352-56830	9 - 11	900605-00010	6 - 9		
610434-50031	9 - 17	900628-00006	4 - 41		
610444-56830	9 - 8	900701-00012	1 - 27		
610473-52131	9 - 15	900701-00012	9 - 23		
699013-56830	7 - 22	900702-00028	1 - 25		
699229-56830	9 - 3	900702-00028	9 - 22		
890157-39130	8 - 33	900702-00032	9 - 7		
890160-42230	8 - 1	900720-00012	9 - 5		
890617-43130	8 - 43	900720-00018	8 - 17		
895610-00130	7 - 1	900800-06001	9 - 20		
898510-07130	7 - 6	900803-06001	9 - 21		
900100-10025	6 - 7	900810-00629	9 - 13		
900105-05055	4 - 14	900810-36202	1 - 19		
900106-05012	5 - 6	900812-06201	9 - 9		
900106-05012	6 - 17	91100-06070	4 - 23		
900106-05016	6 - 18	91118-05020	1 - 33		
900106-05020	6 - 5	91118-05025	7 - 23		
900106-05025	4 - 4	91118-05030	8 - 21		
900162-05012	4 - 20	91118-06030	9 - 19		
900162-05020	1 - 3	91121-05012	1 - 41		
900162-05020	2 - 9	91121-05012	4 - 25		
900162-05035	1 - 23	91121-05012	6 - 12		
900241-04008	1 - 32	91121-05020	1 - 36		
900242-04010	4 - 39	91121-05020	3 - 34		
900242-05010	9 - 18	91121-05025	3 - 33		

YAMABIKO CORPORATION

7-2 SUEHIROCHO 1-CHOME, OHME, TOKYO 198-8760, JAPAN
PHONE: 81-428-32-6118. FAX: 81-428-32-6145.

shindaiwa