

Shindaiwa Illustrated Parts List

C27 CE Brushcutter

CYLINDER / MUFFLER	2
CRANKCASE / CLUTCH DRUM / CYLINDER COVER	3
PISTON / CRANKSHAFT / CLUTCH SHOE	4
ROTOR / COIL ASSEMBLY	5
CARBURETOR / CLEANER	6
CARBURETOR / CLEANER	7
RECOIL STARTER	8
FUEL TANK	9
OUTER PIPE	10
GEARCASE	11
BRACKET ASSEMBLY / THROTTLE LEVER	12
CUTTER GUARD / STRAP ASSEMBLY	13
TOOL SET	14

www.shindaiwa.com

11975 SW Herman Road

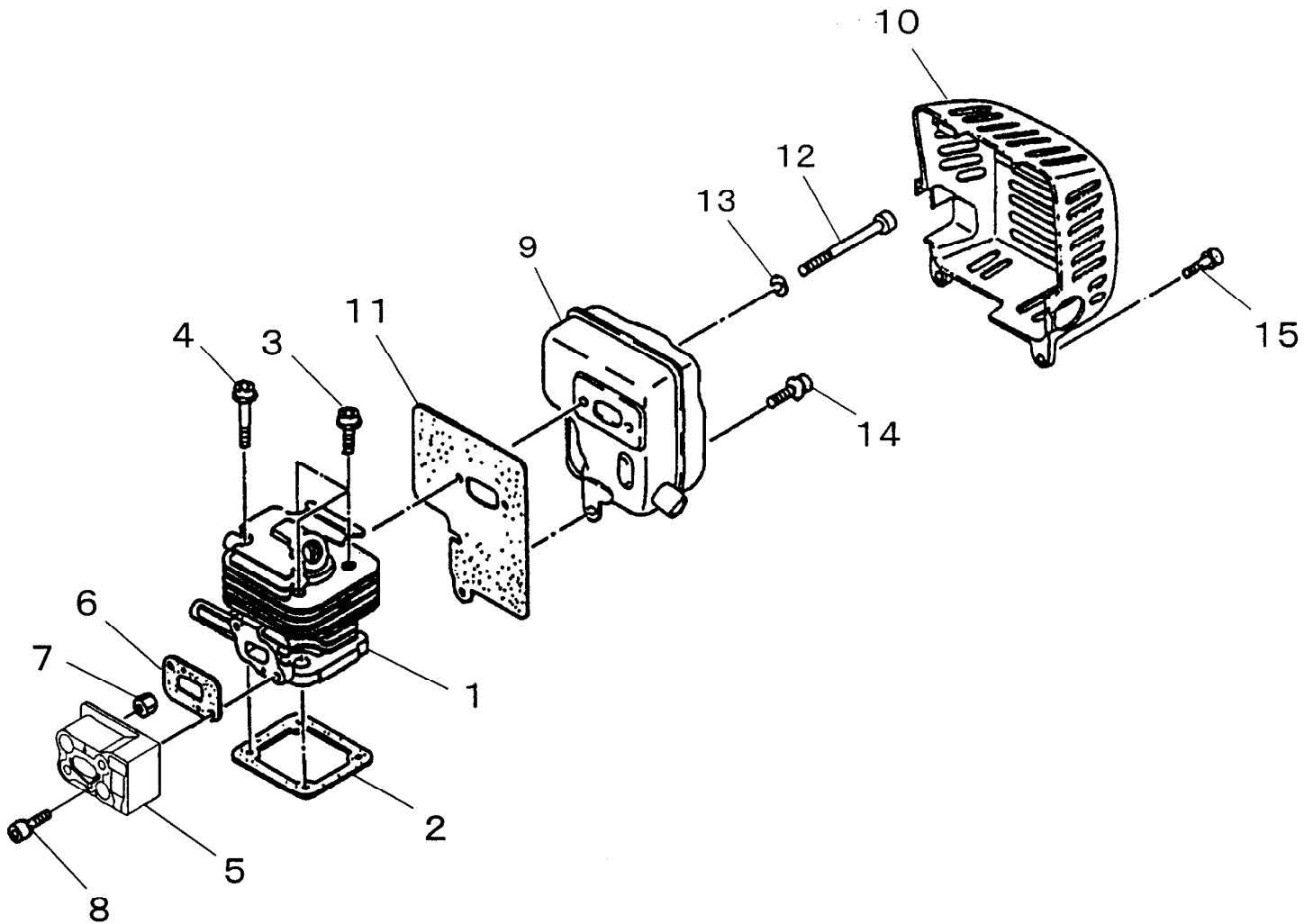
Tualatin, Oregon 97062, U.S.A.

1 + 503.692.3070 • fax 1 + 503.692.6696 •

shindaiwa

CYLINDER / MUFFLER

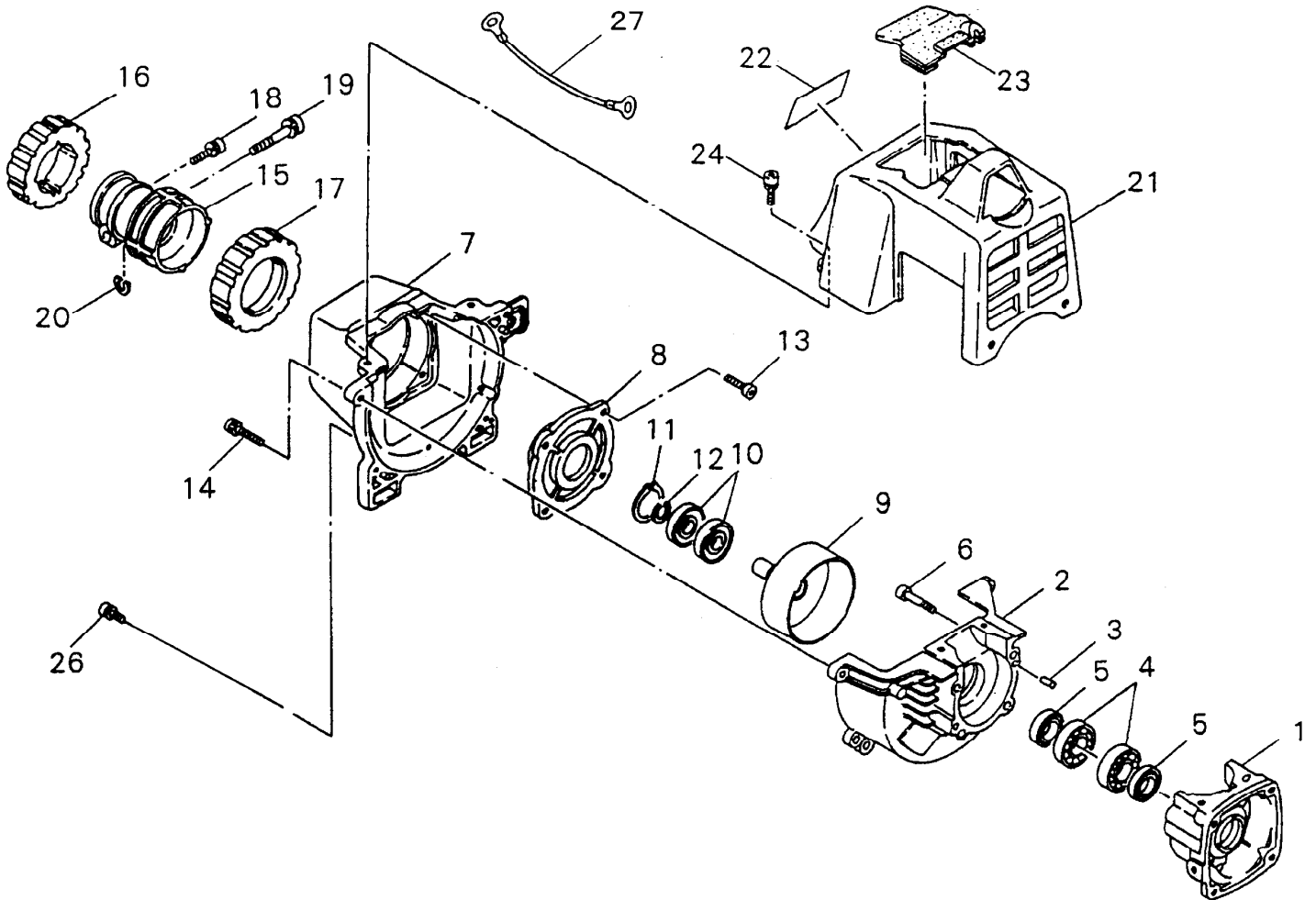
ILLUSTRATION 1 - REV 11/02



Ref. No	Part No.	Part Name	Q'ty
1-1	20024-12110	CYLINDER	1
2	20024-12120	GASKET CYLINDER	1
3	11020-05160	BOLT SW	3
4	11020-05300	BOLT SW	1
5	70244-12210	INSULATOR	1
6	20024-12220	GASKET INSULATOR	1
7	20024-12260	NUT	2
8	11022-05200	BOLT SPW	2
	70102-15000	MUFFLER ASSEMBLY	1
9	20024-15116	*MUFFLER	1
10	70102-15180	*MUFFLER GUARD	1
11	20024-15210	*GASKET MUFFLER	1
12	01020-05550	*BOLT	2
13	01610-05080	*WASHER	2
14	11022-05120	*BOLT SPW	1
15	11022-05160	*BOLT SPW	2

CRANKCASE / CLUTCH DRUM / CYLINDER COVER

ILLUSTRATION 2 - REV 11/02



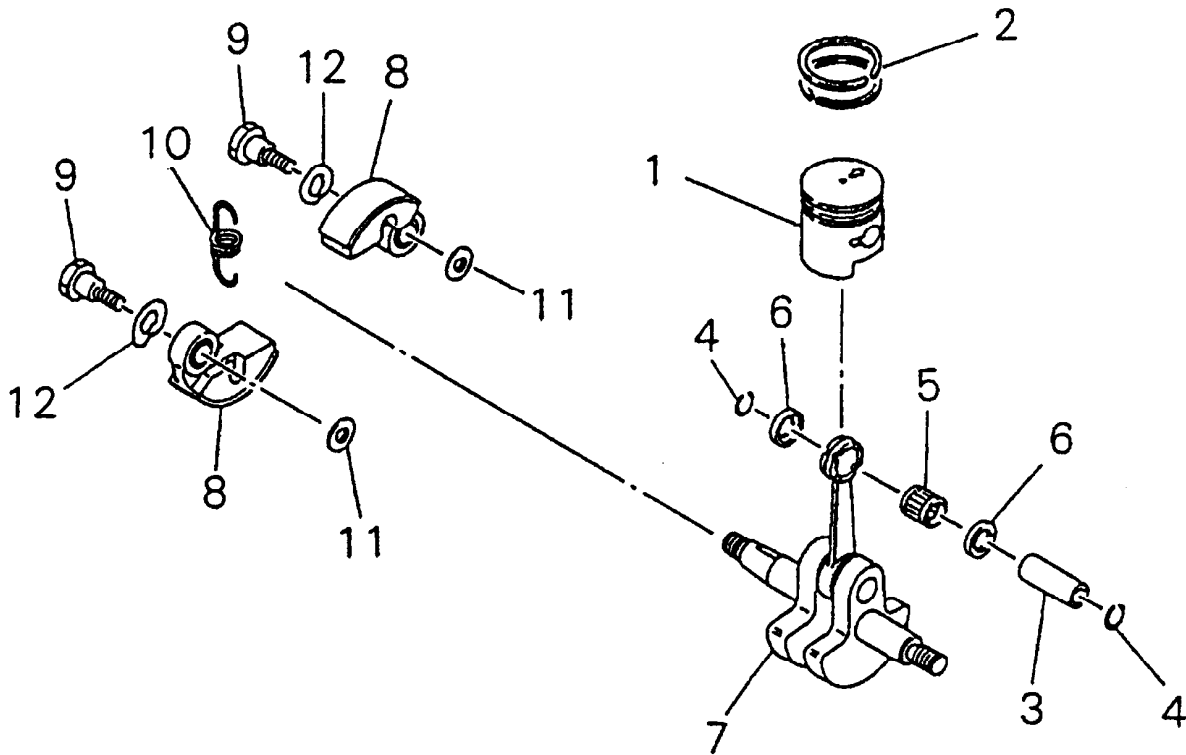
Ref. No	Part No.	Part Name	Q'ty
2-	20024-21000	CRANKCASE ASSEMBLY	1
1	20024-21110	*CRANKCASES	1
2	20024-21120	*CRANKCASE M	1
3	12492-50100	*ROLLER	2
4	02030-06201	*BEARING	2
5	20000-21211	*OIL SEAL	2
6	01020-05250	*BOLT	4
7	70102-31110	FAN COVER	1
8	20024-31130	CLUTCH CASE	1
9	20024-31151	CLUTCH DRUM	1
10	02036-06001	BEARING	2
11	02432-28120	SNAP RING	1
12	20000-31140	SNAP RING	1

Ref. No	Part No.	Part Name	Q'ty
13	11022-05160	BOLT SPW	4
14	11020-05180	BOLT SW	2
15	20024-31410	JOINT	1
16	20024-31421	FRONT CUSHION	1
17	20024-31431	REAR CUSHION	1
18	11022-05160	BOLT SPW	1
19	11022-06280	BOLT SPW	1
20	20024-31460	SHIM	1
21	70102-31211	CYLINDER COVER	1
22	70102-31250	NAMEPLATE	1
23	20024-31231	DUST CAP	1
24	11022-05160	BOLT SPW	2
26	11022-05200	BOLT SPW	2
27	70192-31510	EARTH CORD	1

* Denotes item is part of an assembly ** Denotes item is part of a sub-assembly

PISTON / CRANKSHAFT / CLUTCH SHOE

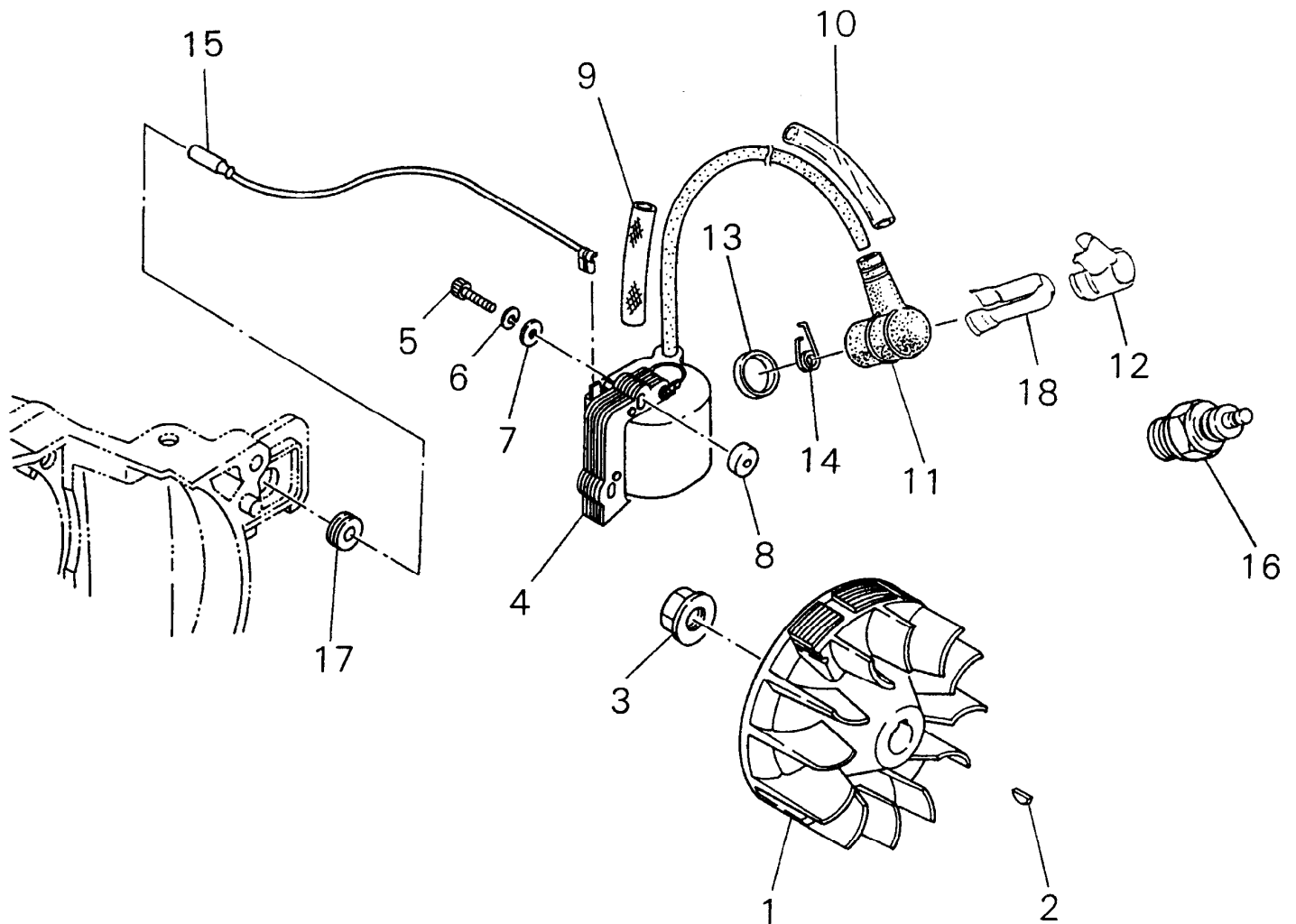
ILLUSTRATION 3 - REV 11/02



Ref. No	Part No.	Part Name	Q'ty
3- 1	20024-41110	PISTON	1
2	20024-41210	PISTON RING	2
3	20024-41311	PISTON PIN	1
4	20000-41320	SNAP RING	2
5	20000-41330	NEEDLE BEARING	1
6	20000-41341	THRUST WASHER	2
7	20024-42001	CRANKSHAFT ASSEMBLY	1
	70102-51100	CLUTCH SHOE ASSEMBLY	1
8	70102-51110	*CLUTCH SHOE	2
9	20024-51210	*CLUTCH BOLT	2
10	70102-51220	*SPRING	1
11	20087-51231	*SPRING PLATE	2
12	22100-71430	*WASHER	2

ROTOR / COIL ASSEMBLY

ILLUSTRATION 4 - REV 11/02

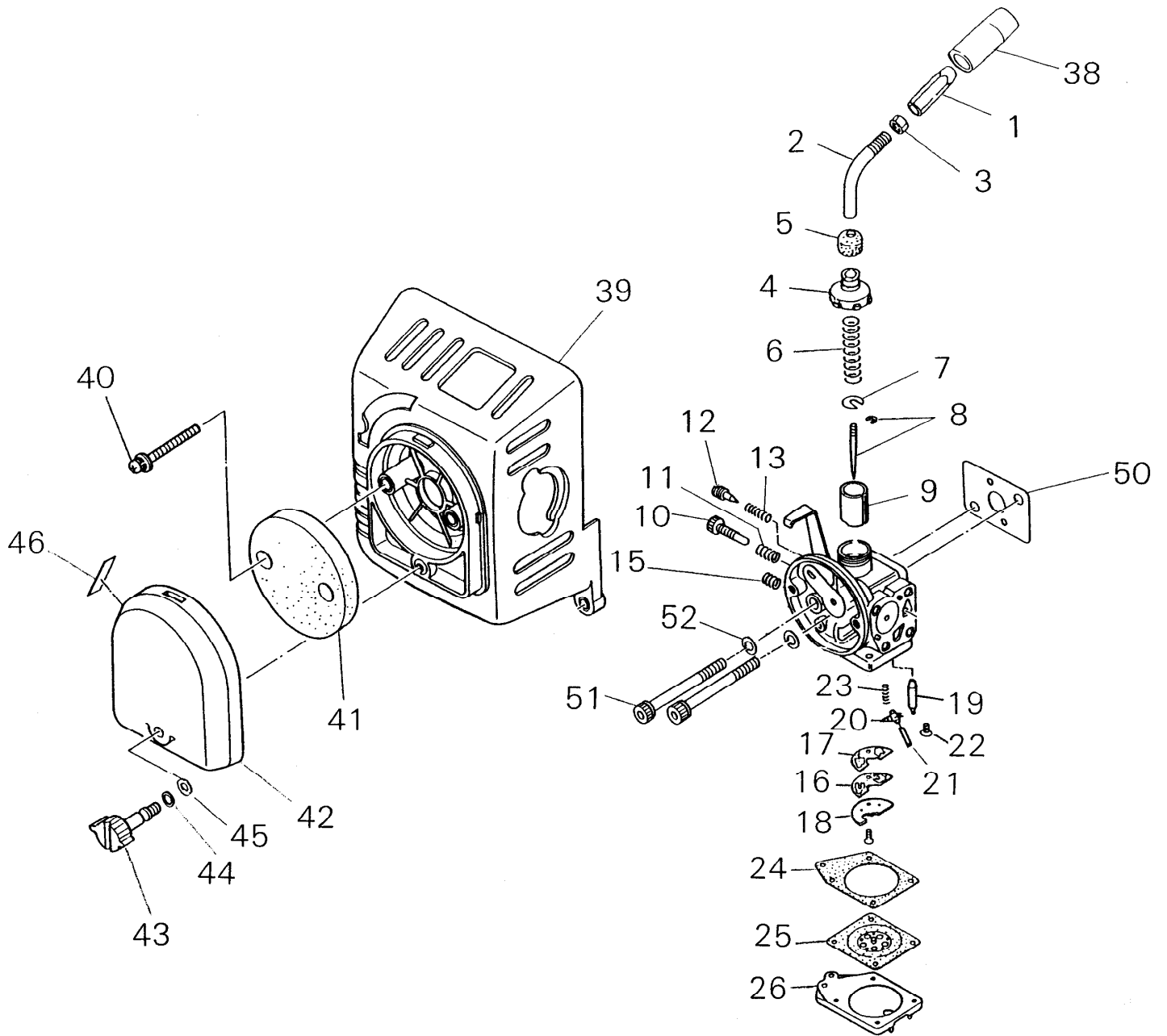


Ref. No	Part No.	Part Name	Q'ty
4-1	20024-71201	ROTOR	1
2	02403-03100	KEY	1
3	20035-71220	NUT	1
4	20024-71610	COIL	1
5	01020-04300	BOLT	2
6	01600-04101	SPRING WASHER	2
7	01613-04080	WASHER	2
8	70030-71620	INSULATOR	2
9	20024-72112	TUBE	1
10	70168-71660	TUBE	1
11	20010-72221	PLUG CAP	1
12	20000-72241	PLUG CAP COVER	1
13	20000-72250	COVER BAND	1
18	70180-72260	SHIELD	1
14	20000-72230	SPRING SPARKPLUG	1
15	70102-74130	CORD	1
16	13000-13506	SPARKPLUG BPMR6A	1
17	70105-31520	GROMMET	1

* Denotes item is part of an assembly ** Denotes item is part of a sub-assembly

CARBURETOR / CLEANER

ILLUSTRATION 6 - REV 11/02



CARBURETOR / CLEANER

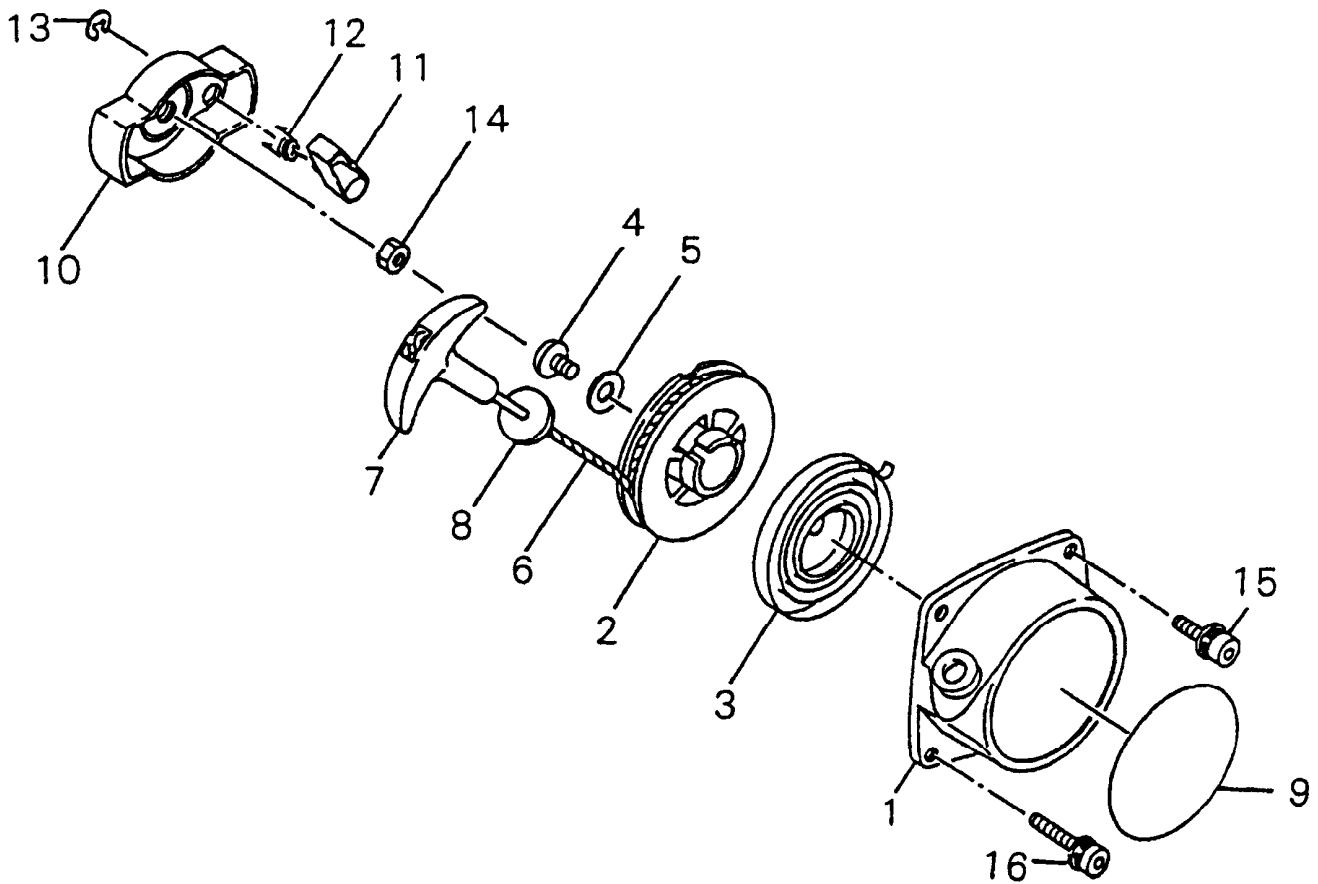
ILLUSTRATION 6 - REV 11/02

Ref. No	Part No.	Part Name	Q'ty
6-	62000-81010	CARBURETOR ASSEMBLY	1
1	20055-81810	*CABLE ADJUSTER	1
2	70107-81830	*ADJUST PIPE	1
3	20000-81260	*LOCKNUT	1
4	20055-81120	*BODY CAP	1
5	20055-81130	*CAP	1
6	20003-81140	*THROTTLE SPRING	1
7	20000-81150	*SPRING RECEIVE	1
8	20056-81210	*JET NEEDLE	1
9	70170-81180	*THROTTLE VALVE	1
10	20000-81310	*SLOW STOP SCREW	1
11	72920-81820	*SPRING	1
12	20000-81330	*SLOW AIR SCREW	1
13	20000-81340	*SPRING	1
15	20011-81360	*SPRING	1
16	20087-81411	*CHECK VALVE	1
17	20087-81420	*PACKING	1
18	20087-81430	*PLATE	1
19	20000-81441	*NEEDLE VALVE	1

Ref. No	Part No.	Part Name	Q'ty
20	20019-81450	*CONTROL LEVER	1
21	20011-81460	*PIN	1
22	20011-81470	*SCREW	2
23	20087-81480	*SPRING	1
24	20087-81510	*GASKET	1
25	20087-81520	*DIAPHRAGM	1
26	20087-81531	*COVER SUB ASSEMBLY	1
38	20005-83160	CABLE CAP	1
39	70102-81710	CLEANER BODY	1
40	11207-04250	SCREW PMSLPW	2
41	20056-81740	FILTER	1
	20024-81800	CLEANER COVER SUB ASSEMBLY	1
42	20024-81770	*CLEANER COVER	1
43	20115-81780	*KNOB CLEANER COVER	1
44	22100-82430	*O-RING	1
45	20024-81790	*CONE WASHER	1
46	19404-00008	*LABEL CHOKE	1
50	70244-83410	GASKET CARBURETOR	1
51	01020-05650	BOLT	2
52	01600-05130	SPRING WASHER	2

RECOIL STARTER

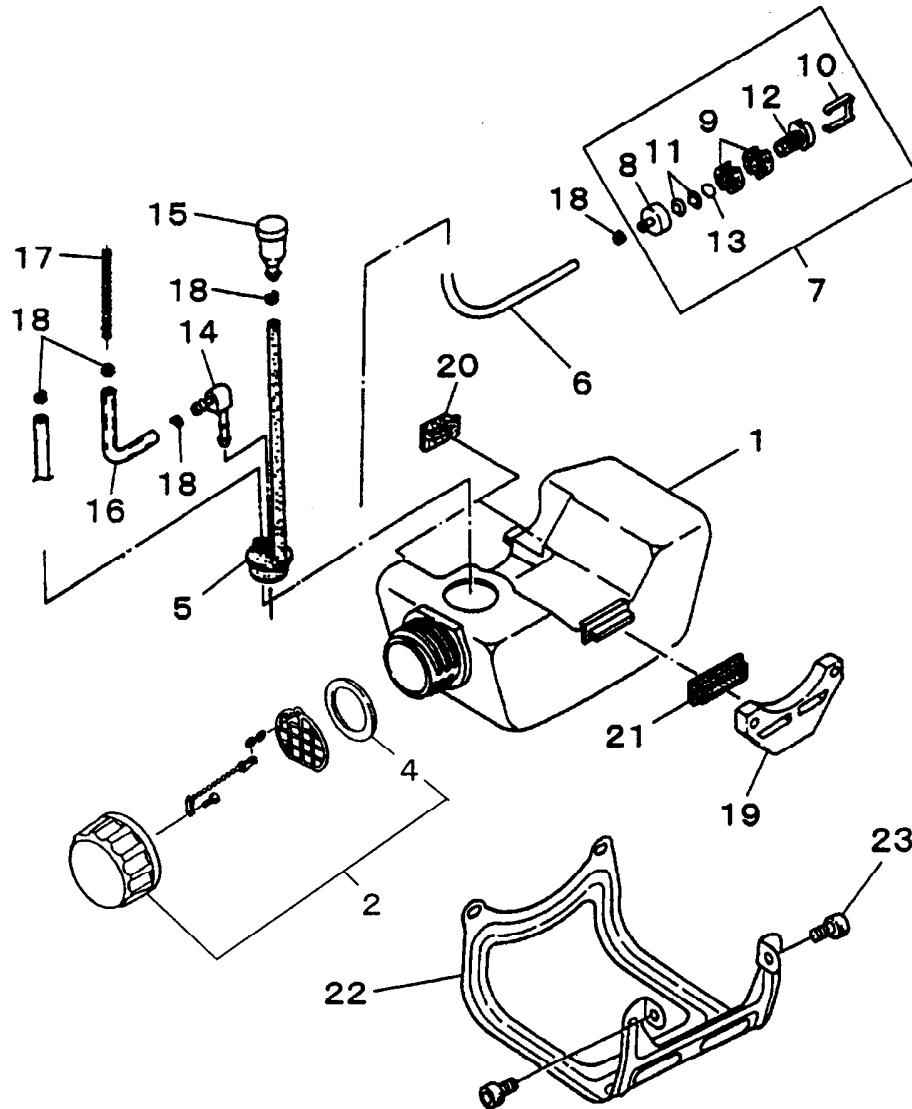
ILLUSTRATION 5 - REV 11/02



Ref. No	Part No.	Part Name	Q'ty
5-	70102-75101	RECOIL STARTER SUB ASSEMBLY	1
1	70102-75111	*STARTER CASE	1
2	20024-75120	*REEL	1
3	20024-75130	*RECOIL SPRING	1
4	20035-75170	*SCREW	1
5	20024-75140	*WASHER	1
6	20024-75160	*ROPE	1
7	20024-75190	*STARTER KNOB	1
8	20024-75180	*DAMPER	1
9	70005-75240	*NAMEPLATE	1
	20024-75200	STARTER PULLEY SUB ASSEMBLY	1
10	20024-75210	*STARTER PULLEY	1
11	20024-75220	*RATCHET	1
12	20024-75230	*RETURN SPRING	1
13	20024-75240	*E-RING	1
14	20035-43230	NUT	1
15	11022-05160	BOLT SPW	2
16	11022-05250	BOLT SPW	2

FUEL TANK

ILLUSTRATION 7 - REV 11/02



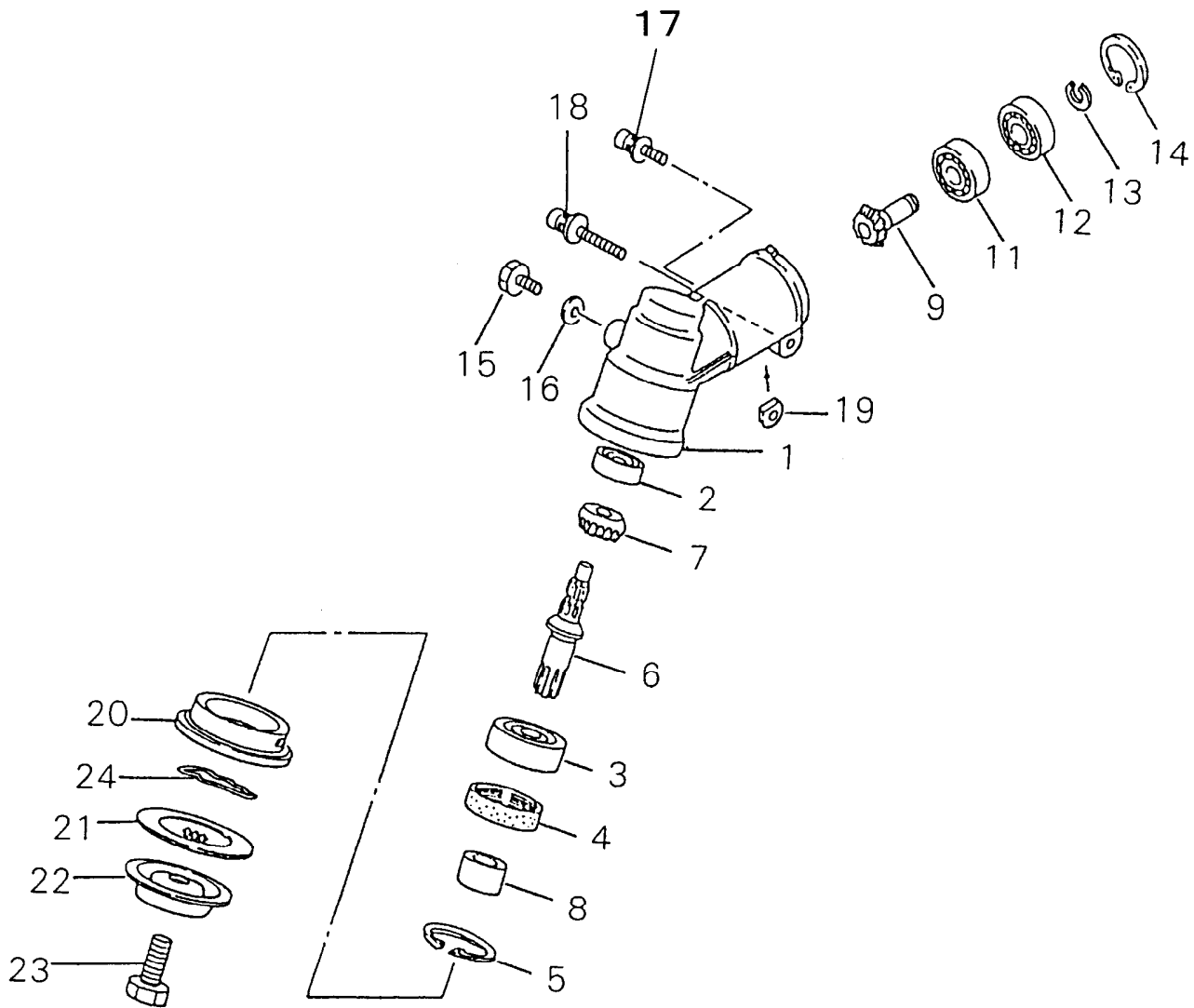
Ref. No	Part No.	Part Name	Q'ty
7-1	70244-85110	FUEL TANK	1
2	70168-85201	FUEL CAP ASSEMBLY	1
4	20000-85221	*GASKET	1
5	20089-85350	GROMMET	1
6	70170-85310	FUEL PIPE	1
7	22115-85401	FUEL FILTER SUB ASSEMBLY	1
8	22128-85410	*WEIGHT FUEL	1
9	22128-85421	*FILTER	2
10	22128-85440	*CLIP FILTER	1
11	22118-85460	*SCREEN	2
12	22128-85470	*SLEEVE	1

Ref. No	Part No.	Part Name	Q'ty
13	22128-85480	*RING	1
14	20087-85340	JOINT	1
15	22197-33960	VALVE	1
16	70170-83311	PIPE	1
17	20019-83320	SPRING	1
18	20020-85540	CLIP	5
19	20024-86112	TANK HOLDER	1
20	20024-86120	TANK CUSHION	2
21	20024-86130	TANK CUSHION	1
22	70103-86130	TANK GUARD	1
23	11022-05120	BOLT SPW	2

* Denotes item is part of an assembly ** Denotes item is part of a sub-assembly

OUTER PIPE

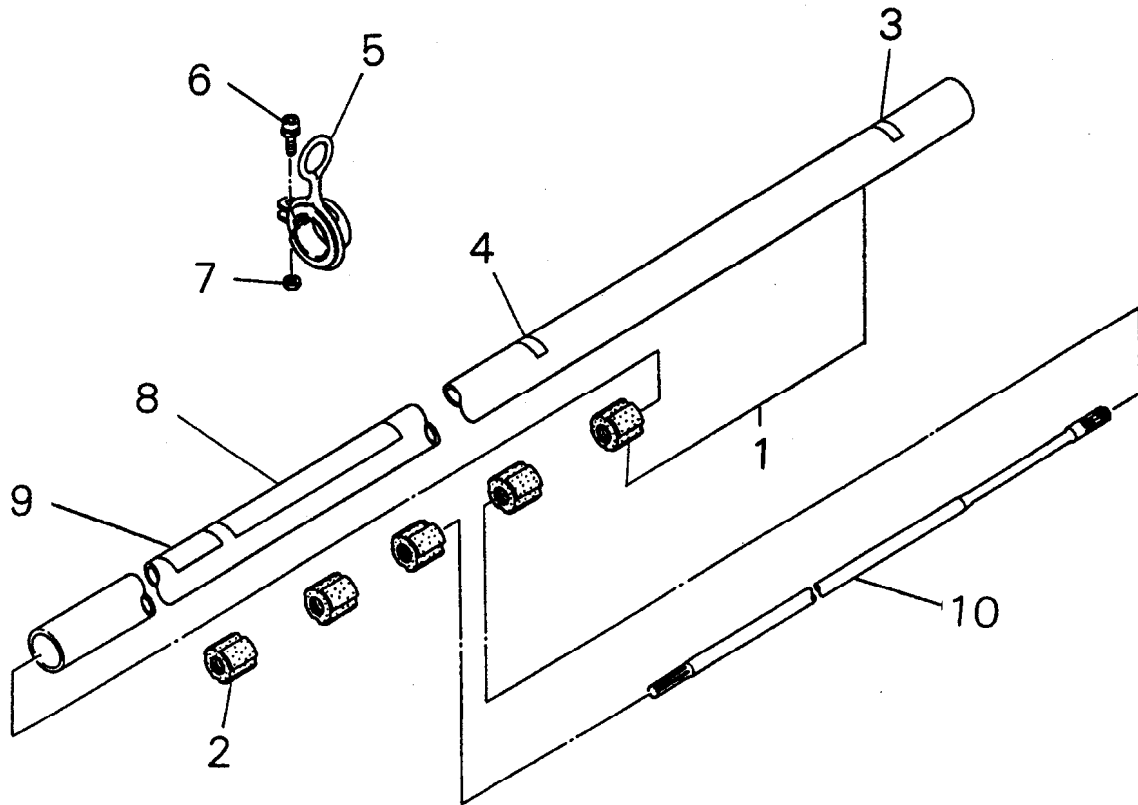
ILLUSTRATION 8 - REV 11/02



Ref. No	Part No.	Part Name	Q'ty
8-1	72531-12100	OUTER PIPE SUB ASSEMBLY	1
2	22024-12120	*BUSH	5
3	72005-12140	*CAUTION PLATE	1
4	72017-12150	*HANDLE LABEL	1
5	22009-12210	HANGER	1
6	11022-05120	BOLT SPW	1
7	01500-05041	NUT	1
8	19422-00010	LABEL CAUTION	1
9	19402-00223	LABEL CAUTION	1
10	22000-12413	MAINSHAFT	1

GEARCASE

ILLUSTRATION 9 - REV 11/02



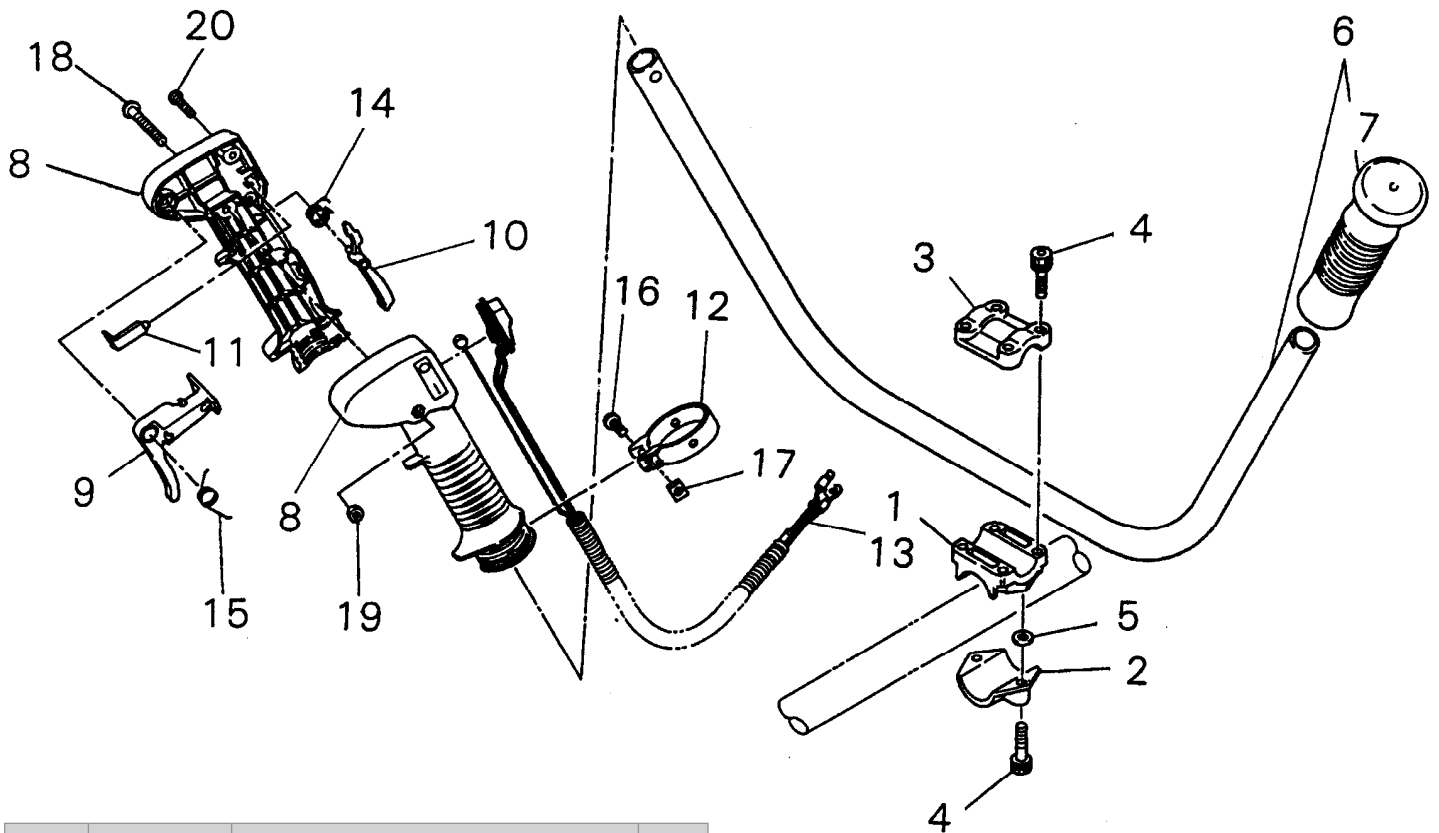
Ref. No	Part No.	Part Name	Q'ty
9-	72435-13013	GEARCASE SUB ASSEMBLY	1
1	72435-13112	*GEARCASE	1
2	02046-00609	*BEARING	1
3	02000-06201	*BEARING	1
4	22024-13121	*OIL SEAL	1
5	02432-32120	*SNAP RING	1
6	72435-13210	*GEARSHAFT	1
7	22024-13220	*BEVEL GEAR	1
8	22000-13230	*COLLAR	1
9	22024-13391	*PINION SET	1
11	02000-06901	*BEARING	1
12	02002-06901	*BEARING	1

Ref. No	Part No.	Part Name	Q'ty
13	20000-31140	*SNAP RING	1
14	02432-24120	*SNAP RING	1
15	22015-13410	*BOLT	1
16	22015-13420	*GASKET	1
17	11022-05160	*BOLT SPW	1
18	11022-06280	*BOLT SPW	1
19	22011-13450	*SHIM	1
20	22024-13912	HOLDER A	1
21	72435-13920	HOLDER B	1
22	22024-13291	BOLT GUARD	1
23	22000-13512	BOLT	1
24	22000-13530	SLIDE PIN	1

* Denotes item is part of an assembly ** Denotes item is part of a sub-assembly

BRACKET ASSEMBLY / THROTTLE LEVER

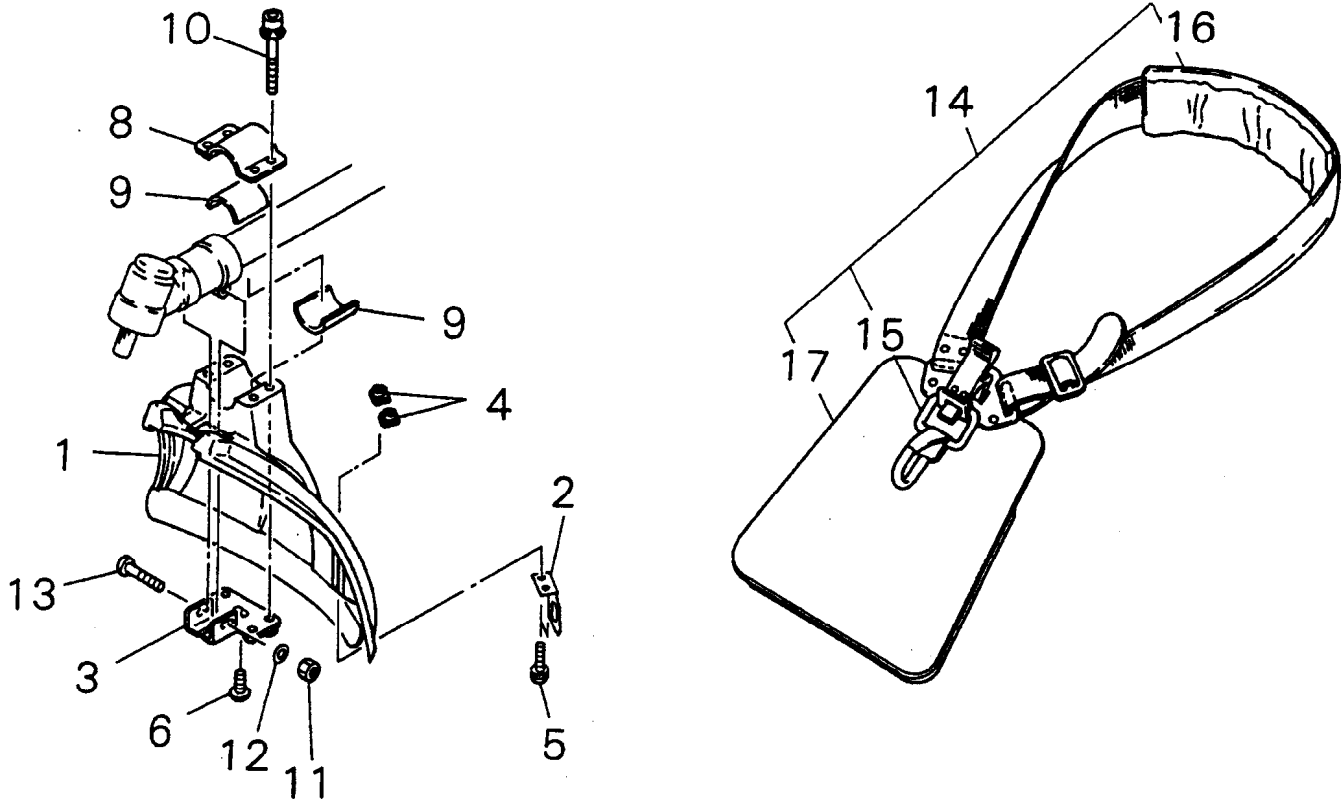
ILLUSTRATION 11 - REV 11/02



Ref. No	Part No.	Part Name	Q'ty
11-	72091-14100	BRACKET SUB ASSEMBLY	1
1	72051-14110	*HANDLE BRACKET	1
2	72051-14120	*LOWER CAP	1
3	72051-14131	*UPPER CAP	1
4	11022-05250	*BOLT SPW	6
5	01610-05080	*WASHER	1
6	72431-14200	HANDLE SUB ASSEMBLY	1
7	22421-14230	*GRIP	1
	72431-14503	THROTTLE LEVER ASSEMBLY	1
8	72431-14600	*BODY SUB ASSEMBLY	1
9	72451-14530	*LEVER	1
10	72451-14540	*LOCK LEVER	1
11	72451-14550	*BUTTON	1
12	72451-14560	*CLAMP	1
13	72431-14572	*THROTTLE CABLE COMP	1
14	72451-14580	*RETURN SPRING	1
15	72451-14590	*SPRING	1
16	01020-06200	*BOLT	1
17	72451-14630	*NUT	1
18	11203-05351	*SCREW PM	1
19	72451-14630	*NUT	1
20	72451-14620	*SCREW TAPPING	1

CUTTER GUARD / STRAP ASSEMBLY

ILLUSTRATION 12 - REV 11/02

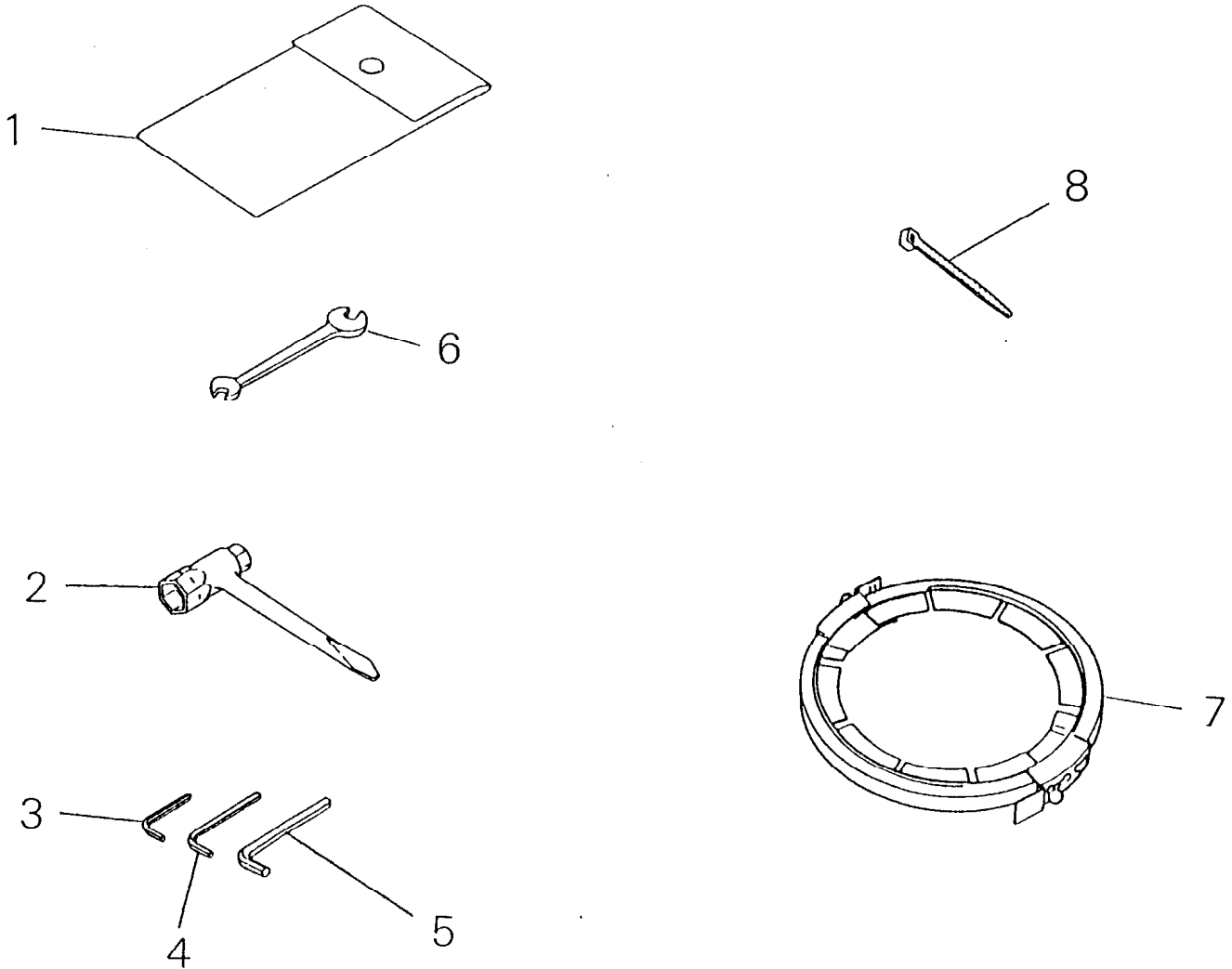


Ref. No	Part No.	Part Name	Q'ty
12- 1	72480-16113	GUARD	1
2	72480-16121	CUTTER	1
3	72441-16130	LOWER CLAMP	1
4	22420-16120	NUT	2
5	11020-05160	BOLT SW	2
6	11202-40100	SCREW HILO 4X10	1
8	72480-16210	UPPER CLAMP	1
9	72441-16220	SPACER	2
10	11022-05450	BOLT SPW	4
11	01500-06051	NUT	1
12	01613-06100	WASHER	1
13	11022-06400	BOLT SPW	1
14	72474-17201	STRAP ASSEMBLY	1
15	22020-17130	*HOOK	1
16	22007-17220	*PROTECTOR	1
17	72451-17262	*PAD	1

* Denotes item is part of an assembly ** Denotes item is part of a sub-assembly

TOOL SET

ILLUSTRATION 10 - REV 11/02



Ref. No	Part No.	Part Name	Q'ty
10-	72512-91000	TOOLSET	1
1	19610-02100	*TOOLBAG	1
2	22000-91181	*PLUG WRENCH	1
3	09026-03001	*HEX A WRENCH	1
4	09026-04001	*HEX A WRENCH	1
5	09026-05001	*HEX A WRENCH	1
6	22000-91120	*SPANNER	1
8	72431-12190	*BAND	2
7	19601-00300	BLADE COVER	1

Lined writing area with horizontal lines.



shindaiwa

www.shindaiwa.com

11975 SW Herman Road, Tualatin, Oregon 97062, U.S.A.

1 + 503.692.3070 • fax 1 + 503.692.6696 •

Item #xxxx Effective 11/02