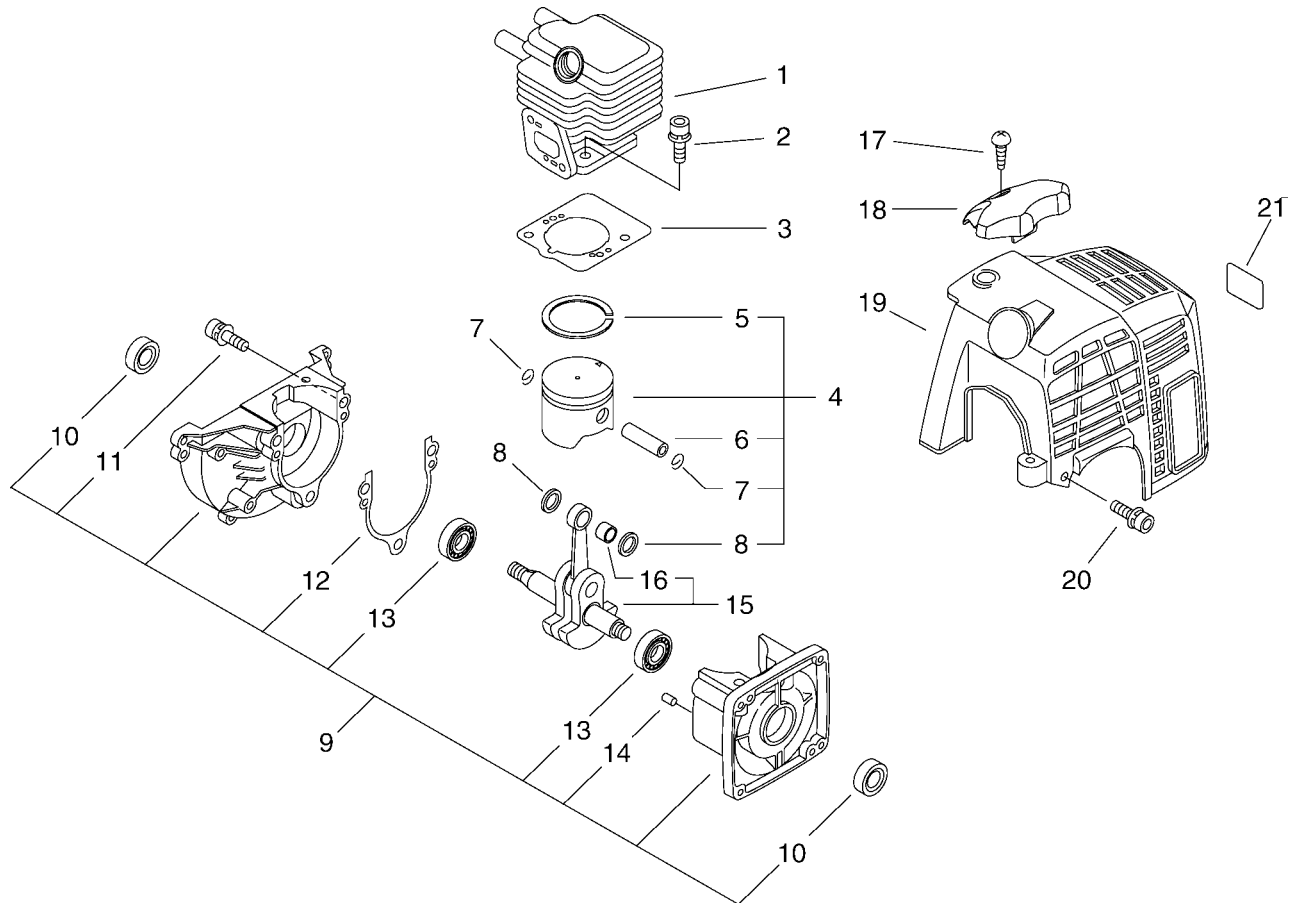


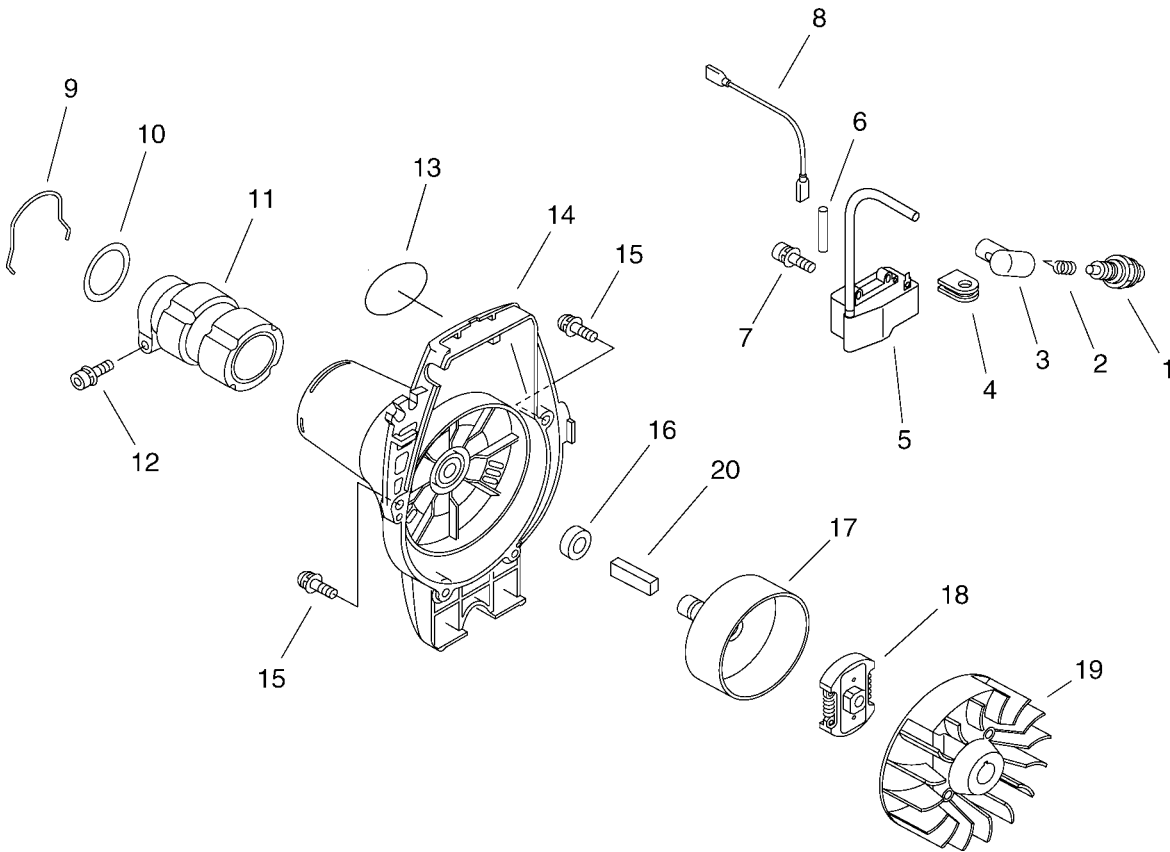
**shindaiwa<sup>®</sup>**

**PARTS CATALOGUE**  
**T225S**

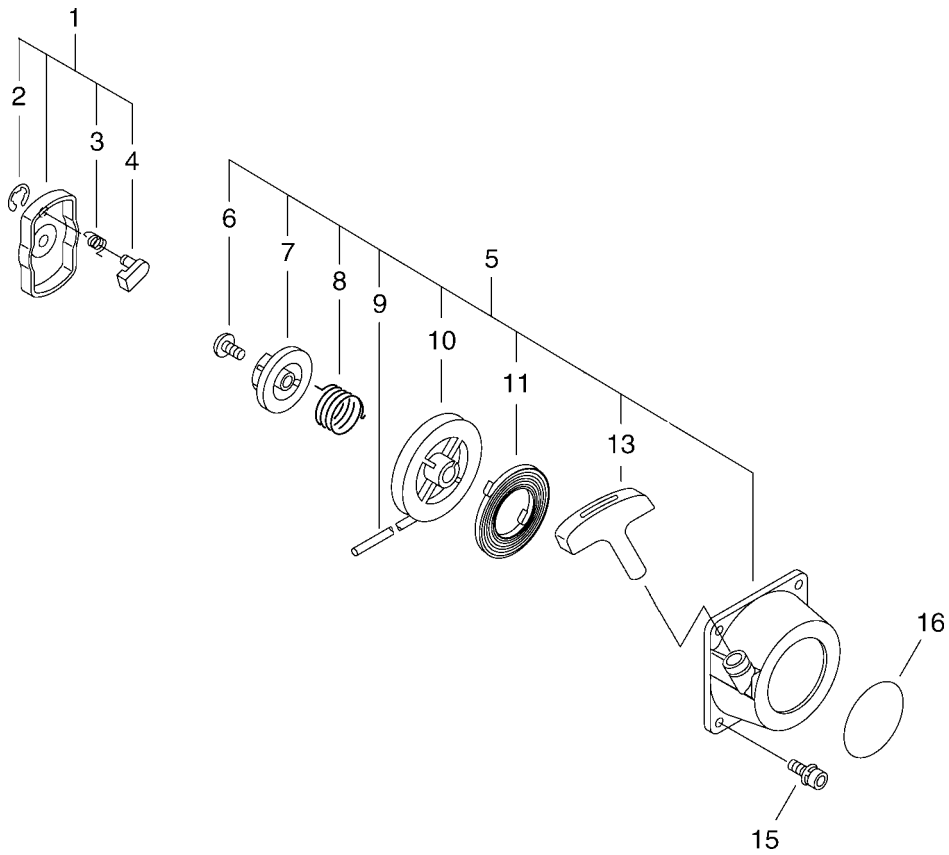
**1 Cylinder,Crankcase,Piston**



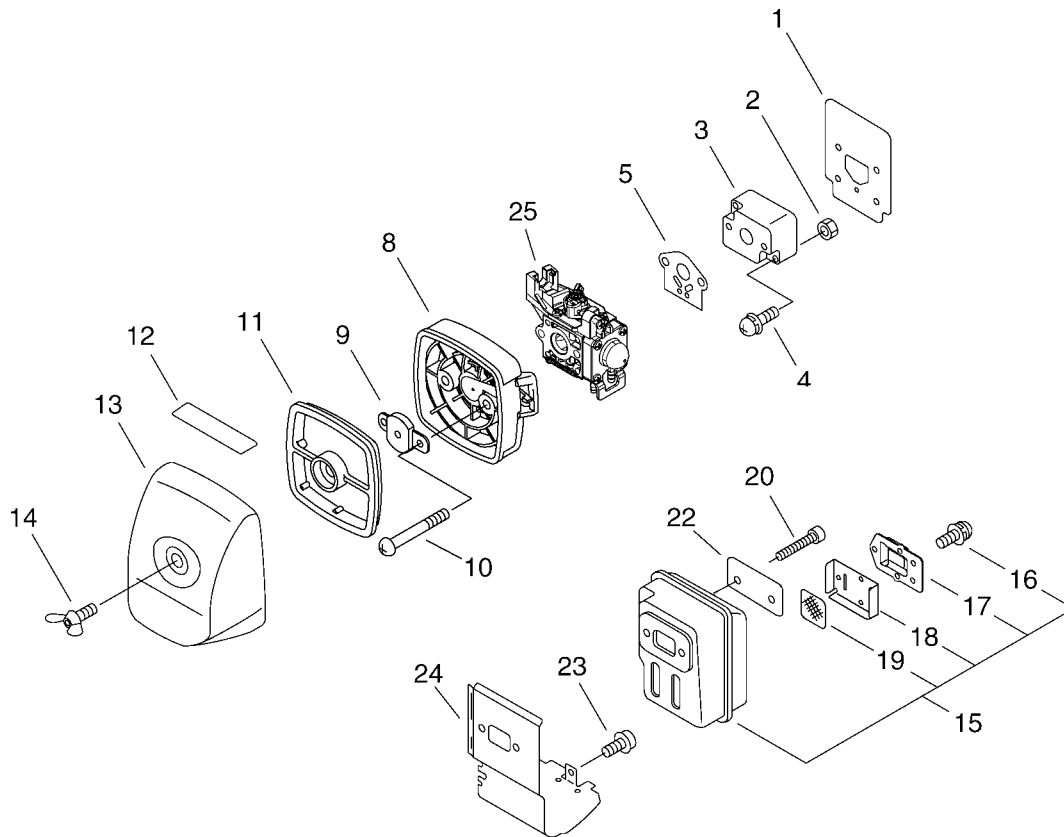
KEY	LV	PART NUMBER	Q'TY	DESCRIPTION	REMARKS
1		A130-000540	1	CYLINDER	
2		900162-05022	2	BOLT, H.S. 5*22	
3		V100-000160	1	GASKET,CYL	
4		P021-007712	1	PISTON KIT	
5	+	A101-000090	1	RING,PISTON	
6	+	100013-11520	1	PIN, PISTON	
7	+	100015-04630	2	CIRCLIP, PISTON PIN	
8	+	100014-11520	2	SPACER, PISTON PIN	
9		100204-52133	1	CRANKCASE KIT	
10	+	100212-42031	2	OILSEAL	
11	+	900162-05028	3	BOLT, H.S. 5*28	
12	+	100242-42030	1	GASKET, CRANKCASE	
13	+	94035-36201	2	BEARING BALL	
14	+	100215-03930	2	PIN, DOWEL	
15		A011-000101	1	CRANKSHAFT,ASM	
16	+	V553-000060	1	BEARING,NEEDLE 8	
17		900253-05020	1	SCREW 5*20	
18		A162-000130	1	GUARD, TOP	
19		A160-002340	1	CYLINDER COVER	
20		V202-000090	2	BOLT,4	
21		X505-002310	1	LABEL,CAUTION	



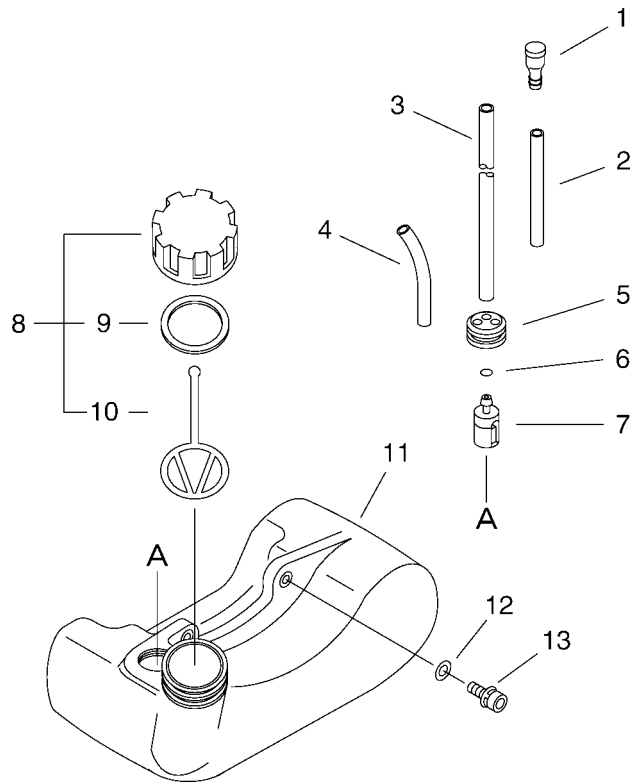
KEY	LV	PART NUMBER	QTY	DESCRIPTION	REMARKS
1		A425-000000	1	SPARKPLUG	
2		159011-03432	1	COIL, SPARK PLUG	
3		159012-03433	1	CAP, SPARK PLUG	
4		156112-40630	1	GROMMET	
5		A411-000140	1	COIL,IGNITION	
6		V475-003960	1	TUBE	
7		900162-04020	2	BOLT, H.S. 4*20	
8		162010-52830	1	LEAD, GROUND	
9		660316-55630	1	CLIP	
10		V315-000030	1	WASHER, CIRCULAR 30	
11		A575-000110	1	FIXTURE, MAIN PIPE	
12		91118-05028	1	BOLT	
13		X543-002950	1	MODEL LABEL	
14		A172-001810	1	FAN COVER	
15		91363-04016	3	SCREW	
16		175313-20430	1	RING, FELT	
17		175005-44331	1	DRUM, CLUTCH	
18		175000-56831	1	CLUTCH ASSEMBLY	
19		A409-000210	1	ROTOR, MAGNETO	
20		V376-000990	1	SPACER	



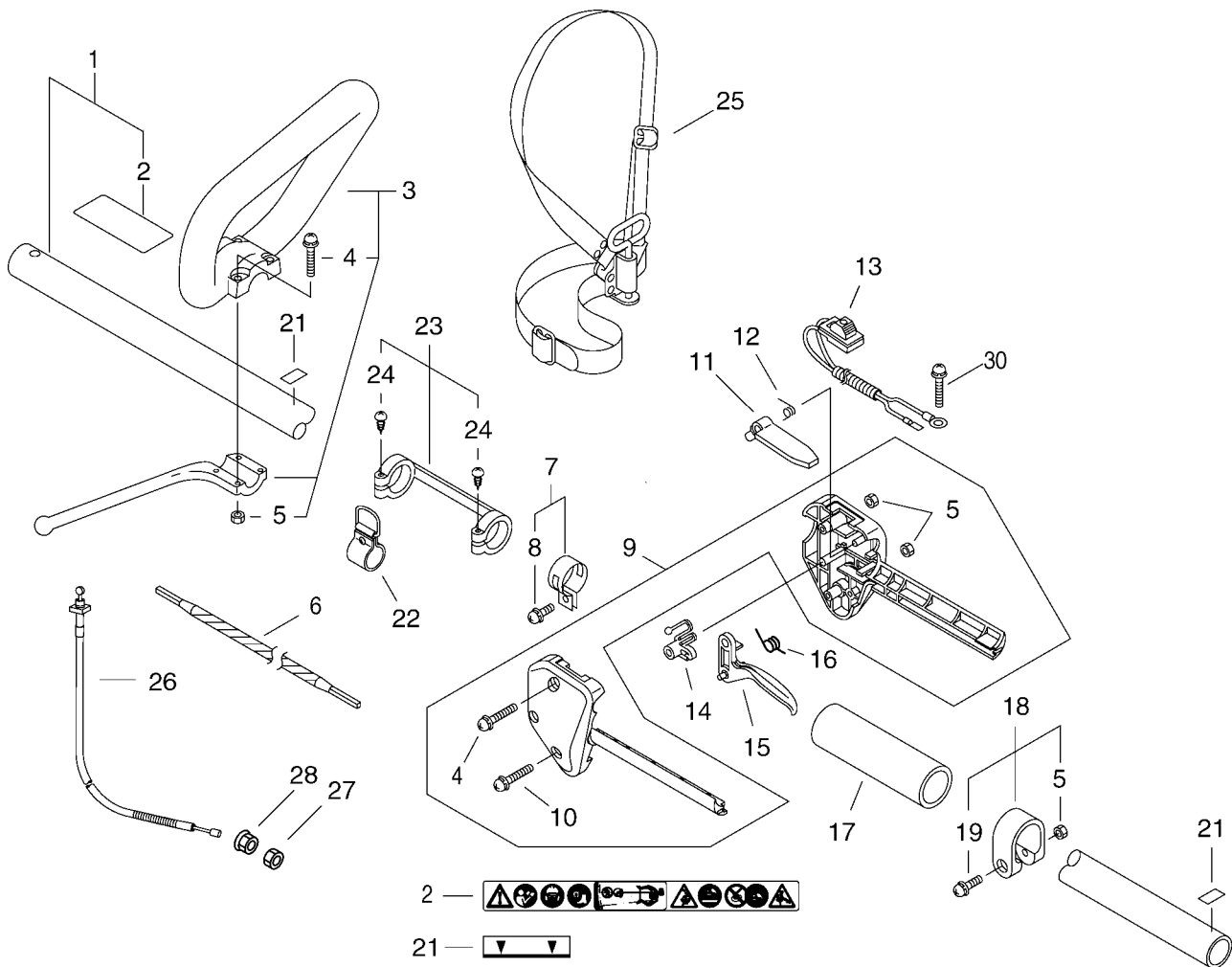
KEY	LV	PART NUMBER	Q'TY	DESCRIPTION	REMARKS
1		A052-000180	1	PULLEY,ASM STARTER	
2	+	P022-002100	2	E-RING	
3	+	P022-006510	2	SPRING, RETURN	
4	+	P022-006850	2	PAWL, STARTER	
5		A051-001410	1	STARTER,RECOIL ASY	
6	+	177236-61830	1	SCREW	
7	+	P022-008280	1	PLATE, CAM	
8	+	P022-008270	1	SPRING,DAMPER	
9	+	P022-025730	1	ROPE, STARTER	
10	+	P022-006830	1	DRUM	
11	+	P022-019680	1	SPRING, SPIRAL	
13	+	P022-023170	1	GRIP, STARTER	
15		V202-000090	2	BOLT,4	
16		X543-002940	1	MODEL LABEL	



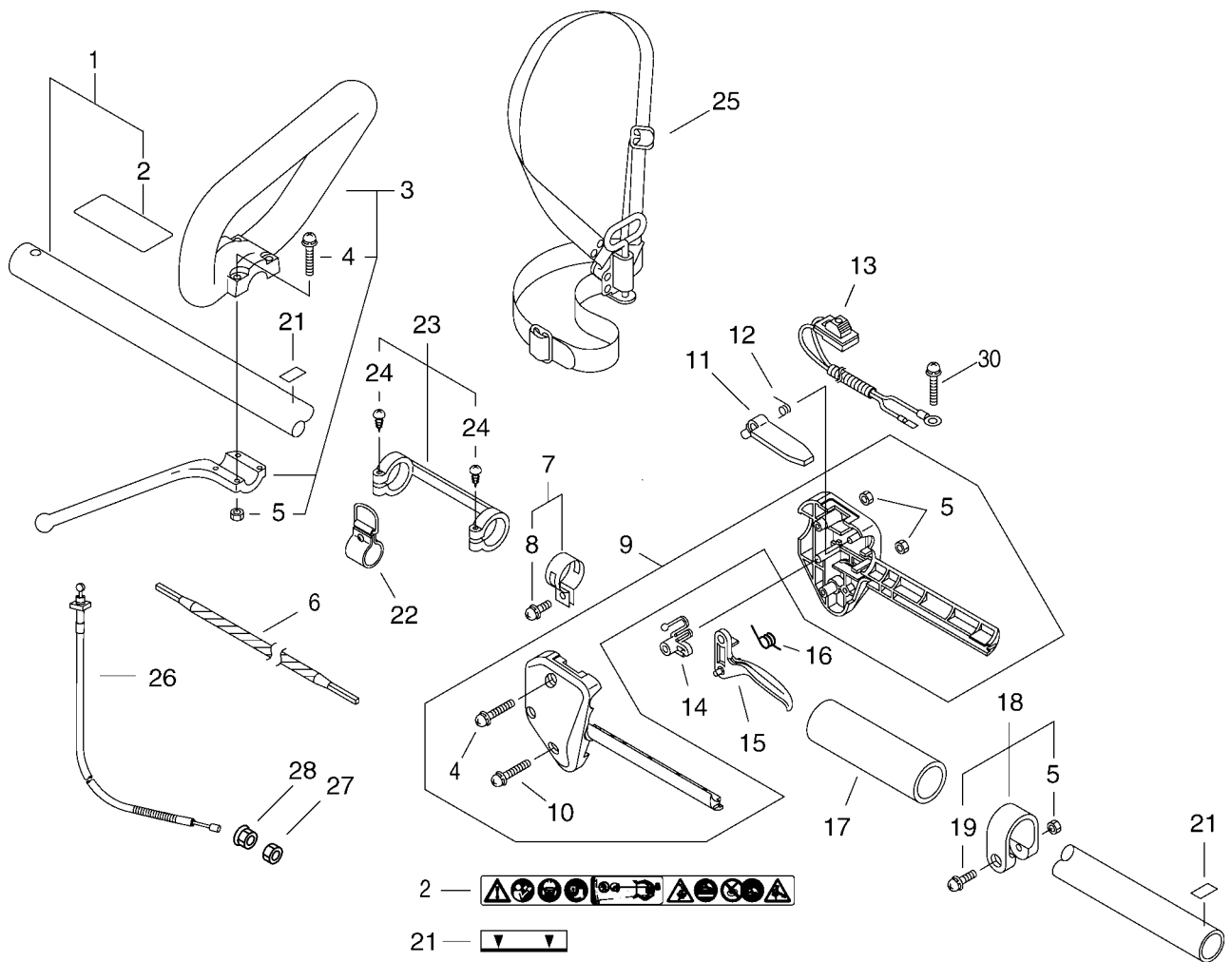
KEY	LV	PART NUMBER	QTY	DESCRIPTION	REMARKS
1		130010-42032	1	GASKET,INTAKE	
2		900500-00005	2	NUT 5	
3		130017-44331	1	INSULATOR	
4		900238-05022	2	SCREW 5*22	
5		130010-13410	1	GASKET, INTAKE	
8		P021-015300	1	CASE, AIR CLEANER	
9		129011-52730	1	PLATE, PREVENT	
10		900220-05065	2	SCREW 5*65	
11		A226-001410	1	ELEMENT,AIR FILTER	
12		890332-52730	1	LABEL, CHOKE	
13		130313-05863	1	LID, AIR CLEANER	
14		210417-52730	1	BOLT, WING	
15		P021-016641	1	MUFFLER ASY	
16	+	91367-04010	5	SCREW	
17	+	A313-000600	1	GUIDE,EXH	
18	+	V104-001760	1	GASKET,EXHAUST	
19	+	145862-40630	1	SCREEN, MUFFLER	
20		900105-05055	2	BOLT, H.S. 5*55	
22		V150-000371	1	PLATE,EYE	
23		91121-04008	1	BOLT, FLANGE	
24		V104-000500	1	GASKET,EXHAUST	
25		A021-001690	1	CARBURETOR,DIAPHRAGM	



KEY	LV	PART NUMBER	Q'TY	DESCRIPTION	REMARKS
1		A356-000030	1	VALVE,CHECK	
2		V471-001200	1	PIPE	
3		V471-001190	1	PIPE	
4		132012-56030	1	PIPE	
5		132115-46730	1	GROMMET, FUEL	
6		132013-09820	1	CLIP	
7		131205-07320	1	STRAINER, FUEL	
8		P021-035680	1	FUEL CAP ASY	
9	+	131016-55830	1	GASKET, FUEL CAP	
10	+	A365-000060	1	CONNECTOR,CAP	
11		A350-000480	1	TANK, FUEL	
12		900603-00005	2	WASHER 5	
13		91118-05020	2	BOLT	

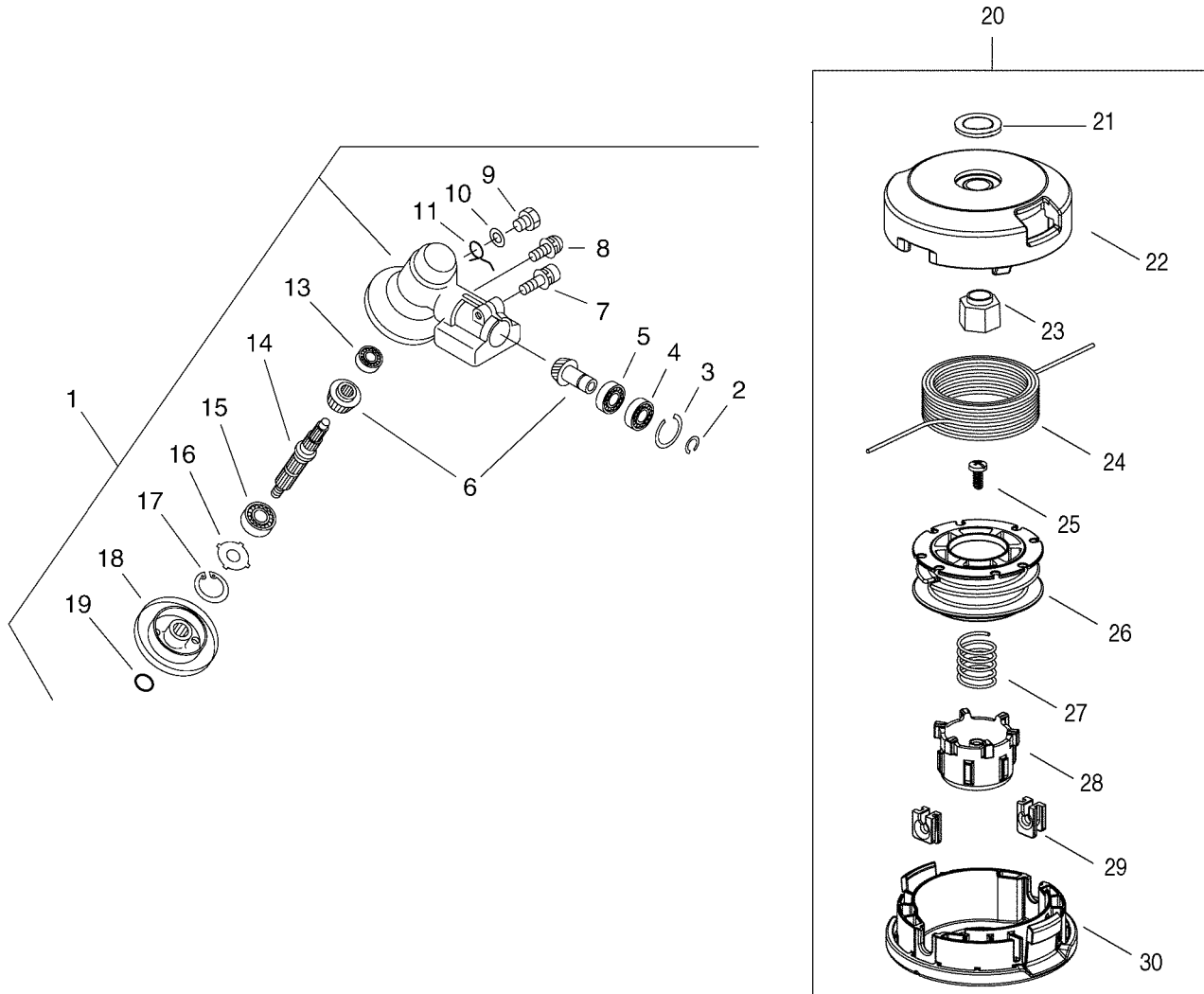


KEY	LV	PART NUMBER	QTY	DESCRIPTION	REMARKS
1		P021-000430	1	PIPE,MAIN	
2	+	890617-43130	1	LABEL,CAUTION	
3		351201-54130	1	HANDLE ASSY, LOOP	
4	+	900242-05035	4	SCREW 5*35	
5	+	900500-00005	4	NUT 5	
6		610013-44730	1	SHAFT, FLEXIBLE	
7		301200-29431	1	HANGER ASY	
8	+	900242-05014	1	SCREW 5*14	
9		178003-52130	1	BRACKET SET,THROTTLE	
4	+	900242-05035	1	SCREW 5*35	
5	+	900500-00005	3	NUT 5	
10	+	900242-05025	1	SCREW 5*25	
11		C460-000370	1	LOCKOUT,THROTTLE	
12		178013-52630	1	SPRING, THR. LOCK	
13		A440-001870	1	SWITCH,	OFF
14		178012-52630	1	LOCKOUT,THROTTLE	
15		C450-000700	1	TRIGGER,THROTTLE	
16		178043-42230	1	SPRING, THR. RETURN	
17		C403-000140	1	GRIP, HANDLE	
18		P021-014550	1	BAND 25	
5	+	900500-00005	1	NUT 5	
19	+	900242-05028	1	SCREW 5*28	
21		890152-04930	2	LABEL, CAUTION	
22		301200-46830	1	HOOK, LIFTING	

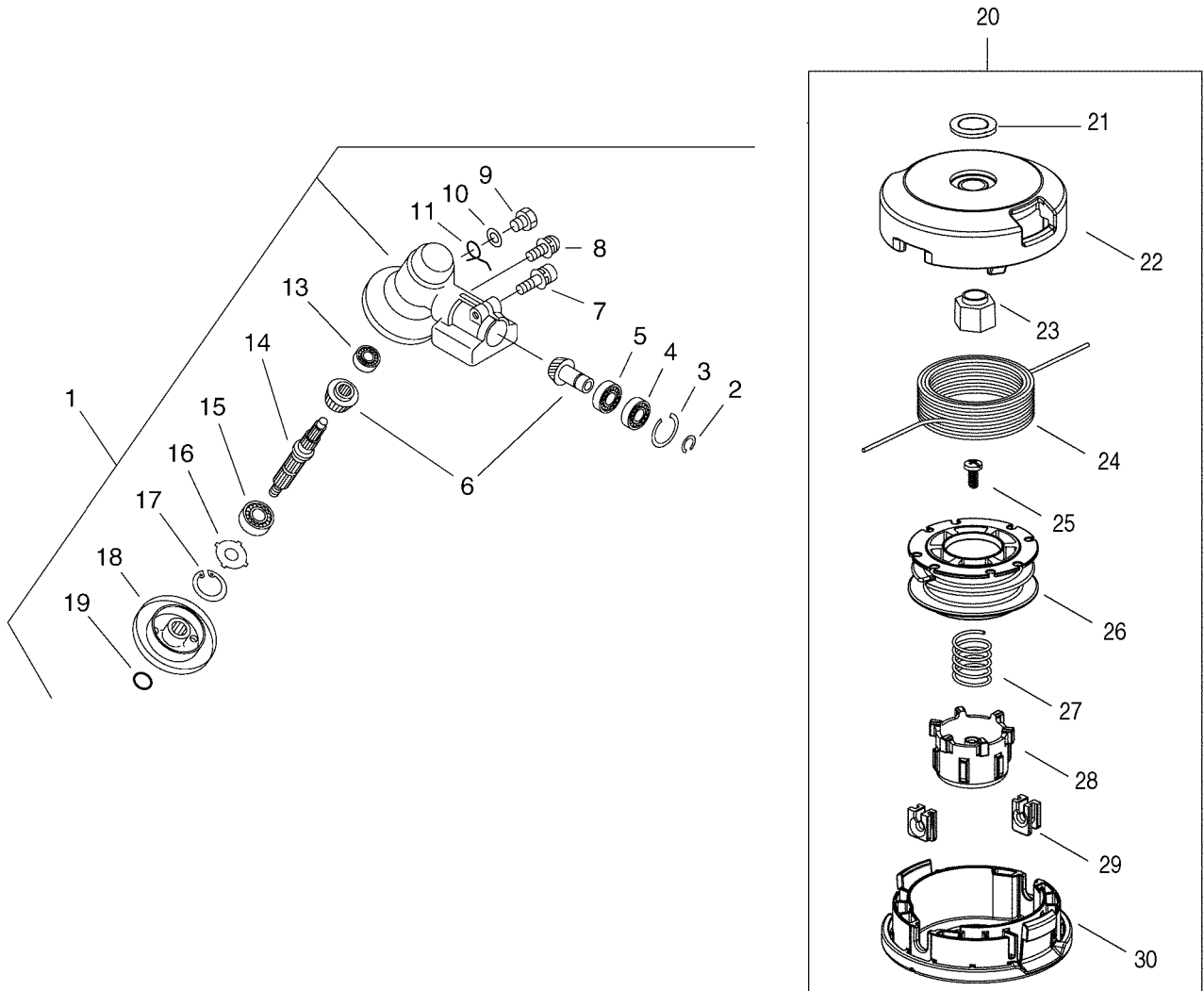


KEY	LV	PART NUMBER	Q'TY	DESCRIPTION	REMARKS
23		610281-54131	1	COLLER	
24	+	900253-04025	2	SCREW 4*25	
25		301001-46731	1	HARNES, SHOULDER	
26		V430-002290	1	CABLE, BOWDEN	
27		900502-00006	1	NUT 6 (3N)	
28		900518-00006	1	NUT, FLANGE	
30		91363-04016	1	SCREW	

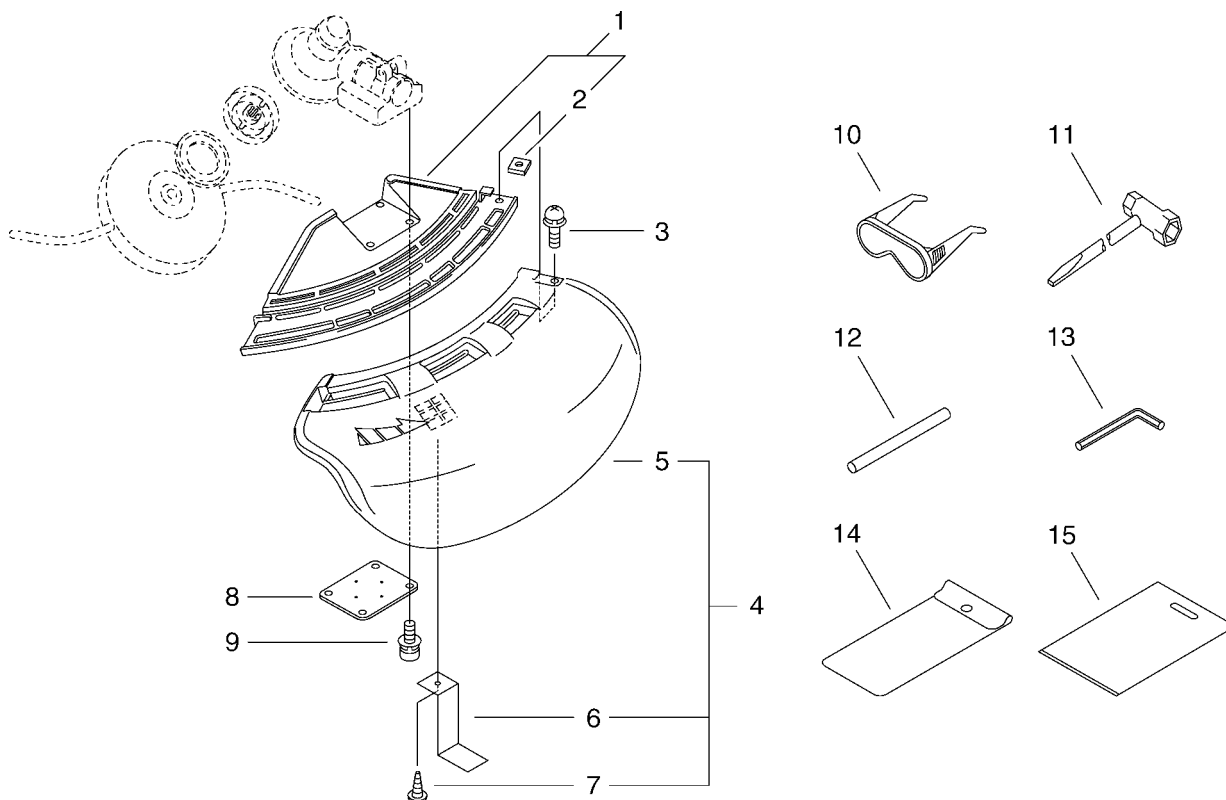




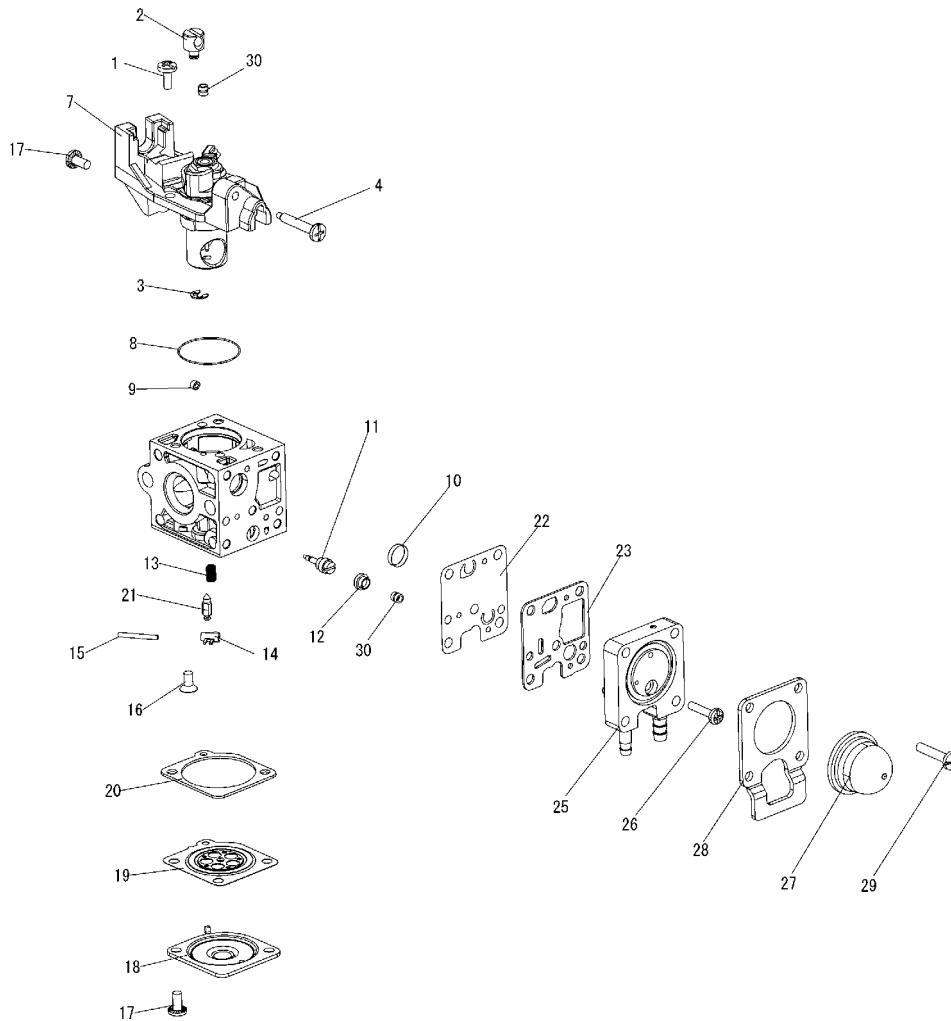
KEY	LV	PART NUMBER	QTY	DESCRIPTION	REMARKS
1		P021-005785	1	HOUSING ASY,GEAR	
2	+	900706-00010	1	CIRCLIP 10	
3	+	900702-00022	1	CIRCLIP 22	
4	+	94063-06900	1	BEARING BALL	
5	+	94060-06900	1	BEARING BALL	
6	+	610300-42330	1	GEAR SET	
7	+	91118-06025	1	BOLT	
8	+	900242-05010	1	SCREW 5*10	
9	+	610434-50031	1	BOLT 8* 8	
10	+	900603-50008	1	WASHER	
11	+	610473-52131	1	SPRING	
13	+	94060-00626	1	BEARING, BALL	
14	+	610310-56831	1	SHAFT, P.T.O.	
15	+	900812-06201	1	BEARING, BALL 6201	
16	+	610444-56830	1	WASHER	
17	+	900702-00032	1	CIRCLIP 32	
18	+	610313-52932	1	FIXTURE, BLADE	
19	+	900720-00012	1	O-RING 12	
20		X047-000430	1	CUTTER,ASM LINE	
21	+	P022-027820	1	WASHER	
22	+	P022-025540	1	COVER	
23	+	P022-025610	1	SHAFT	
24	+	P022-025600	1	NYLON CORD	
25	+	P022-025580	1	SET SCREW	



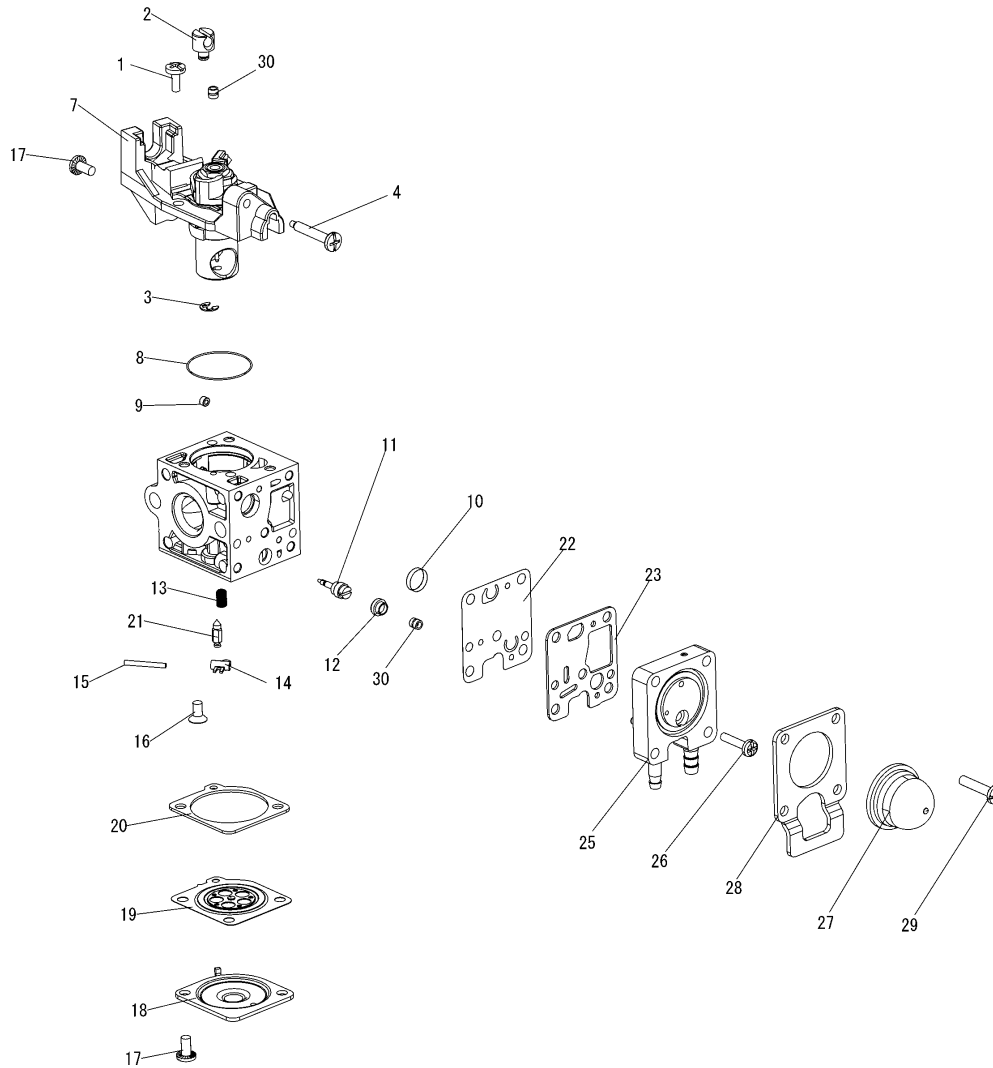
KEY	LV	PART NUMBER	Q'TY	DESCRIPTION	REMARKS
26	+	P022-025550	1	REEL	
27	+	P022-025570	1	RETURN SPRING	
28	+	P022-025560	1	BUTTON	
29	+	P022-025590	2	CORD GUIDE	
30	+	P022-025530	1	CASE	



KEY	LV	PART NUMBER	QTY	DESCRIPTION	REMARKS
1		C550-000332	1	SHIELD,BLADE	
2	+	900565-00005	1	NUT	
3		900242-05018	1	SCREW 5*18	
4		P021-034372	1	SHIELD KIT	
5	+	C550-000312	1	SHIELD,BLADE	
6	+	C554-000000	1	KNIFE,CORD	
7	+	900252-05012	1	SCREW 5*12	
8		C552-000200	1	PLATE, SHIELD	
9		V203-001980	4	BOLT,5	
10		X690-000050	1	GOGGLE	
11		895410-02830	1	WRENCH, W/S. DRIVER	
12		X606-000080	1	TOOL,BAR	
13		895610-00130	1	L-WRENCH (4MM)	
14		898510-07130	1	BAG, TOOL	
15		X698-000040	1	TOOL,CASE	



KEY	LV	PART NUMBER	Q'TY	DESCRIPTION	REMARKS
		A021-001690	1	CARBURETOR,DIAPHRAGM	
1	+	125344-13931	3	SCREW	
2	+	P005-001240	1	POST	
3	+	P005-000190	1	E-RING	
4	+	P005-000100	1	SCREW,THROTTLEADJUST	
7	+	P005-002050	1	COVER ASY, ROTOR	
8	+	P005-000280	1	O-RING	
9	+	P005-001000	1	ROLLER, GUIDE	
10	+	P005-000010	1	STRAINER	
11	+	P005-001260	1	SCREW,MAINN MIXTURE	
12	+	P005-001250	1	RETAINER,PLUG BALL	
13	+	P005-000940	1	SPRING, METER. LEVER	
14	+	125323-08260	1	ARM, VALVE	
15	+	125338-13930	1	PIN, METERING ARM	
16	+	125339-42030	1	SCREW	
17	+	125344-52130	3	SCREW	
18	+	125342-52130	1	COVER, DIAPHRAGM	
19	+	P005-001780	1	DIAPHRAGM	
20	+	P005-000200	1	GASKET, METERING	
21	+	125337-08260	1	VALVE, INLET NEEDLE	
22	+	P005-000510	1	DIAPHRAGM, PUMP	
23	+	P005-000520	1	GASKET, PUMP	
25	+	P005-001890	1	BASE, ASY PRIMER	
26	+	P005-000270	1	SCREW	



KEY	LV	PART NUMBER	QTY	DESCRIPTION	REMARKS
27	+	125381-46730	1	PUMP, PRIMING	
28	+	P005-000250	1	RETAINER	
29	+	P005-001900	4	SCREW	
30	+	P005-001270	2	PLUG, H AJUST SCREW	

**Index**

<b>Parts Number</b>	<b>Key No.</b>	<b>Parts Number</b>	<b>Key No.</b>	<b>Parts Number</b>	<b>Key No.</b>
100013-11520	1 - 6	610444-56830	7 - 16	94063-06900	7 - 4
100014-11520	1 - 8	610473-52131	7 - 11	A011-000101	1 - 15
100015-04630	1 - 7	660316-55630	2 - 9	A021-001690	4 - 25
100204-52133	1 - 9	890152-04930	6 - 21	A021-001690	9 -
100212-42031	1 - 10	890332-52730	4 - 12	A051-001410	3 - 5
100215-03930	1 - 14	890617-43130	6 - 2	A052-000180	3 - 1
100242-42030	1 - 12	895410-02830	8 - 11	A101-000090	1 - 5
125323-08260	9 - 14	895610-00130	8 - 13	A130-000540	1 - 1
125337-08260	9 - 21	898510-07130	8 - 14	A160-002340	1 - 19
125338-13930	9 - 15	900105-05055	4 - 20	A162-000130	1 - 18
125339-42030	9 - 16	900162-04020	2 - 7	A172-001810	2 - 14
125342-52130	9 - 18	900162-05022	1 - 2	A226-001410	4 - 11
125344-13931	9 - 1	900162-05028	1 - 11	A313-000600	4 - 17
125344-52130	9 - 17	900220-05065	4 - 10	A350-000480	5 - 11
125381-46730	9 - 27	900238-05022	4 - 4	A356-000030	5 - 1
129011-52730	4 - 9	900242-05010	7 - 8	A365-000060	5 - 10
130010-13410	4 - 5	900242-05014	6 - 8	A409-000210	2 - 19
130010-42032	4 - 1	900242-05018	8 - 3	A411-000140	2 - 5
130017-44331	4 - 3	900242-05025	6 - 10	A425-000000	2 - 1
130313-05863	4 - 13	900242-05028	6 - 19	A440-001870	6 - 13
131016-55830	5 - 9	900242-05035	6 - 4	A575-000110	2 - 11
131205-07320	5 - 7	900242-05035	6 - 4	C403-000140	6 - 17
132012-56030	5 - 4	900252-05012	8 - 7	C450-000700	6 - 15
132013-09820	5 - 6	900253-04025	6 - 24	C460-000370	6 - 11
132115-46730	5 - 5	900253-05020	1 - 17	C550-000312	8 - 5
145862-40630	4 - 19	900500-00005	4 - 2	C550-000332	8 - 1
156112-40630	2 - 4	900500-00005	6 - 5	C552-000200	8 - 8
159011-03432	2 - 2	900500-00005	6 - 5	C554-000000	8 - 6
159012-03433	2 - 3	900500-00005	6 - 5	P005-000010	9 - 10
162010-52830	2 - 8	900502-00006	6 - 27	P005-000100	9 - 4
175000-56831	2 - 18	900518-00006	6 - 28	P005-000190	9 - 3
175005-44331	2 - 17	900565-00005	8 - 2	P005-000200	9 - 20
175313-20430	2 - 16	900603-00005	5 - 12	P005-000250	9 - 28
177236-61830	3 - 6	900603-50008	7 - 10	P005-000270	9 - 26
178003-52130	6 - 9	900702-00022	7 - 3	P005-000280	9 - 8
178012-52630	6 - 14	900702-00032	7 - 17	P005-000510	9 - 22
178013-52630	6 - 12	900706-00010	7 - 2	P005-000520	9 - 23
178043-42230	6 - 16	900720-00012	7 - 19	P005-000940	9 - 13
210417-52730	4 - 14	900812-06201	7 - 15	P005-001000	9 - 9
301001-46731	6 - 25	91118-05020	5 - 13	P005-001240	9 - 2
301200-29431	6 - 7	91118-05028	2 - 12	P005-001250	9 - 12
301200-46830	6 - 22	91118-06025	7 - 7	P005-001260	9 - 11
351201-54130	6 - 3	91121-04008	4 - 23	P005-001270	9 - 30
610013-44730	6 - 6	91363-04016	2 - 15	P005-001780	9 - 19
610281-54131	6 - 23	91363-04016	6 - 30	P005-001890	9 - 25
610300-42330	7 - 6	91367-04010	4 - 16	P005-001900	9 - 29
610310-56831	7 - 14	94035-36201	1 - 13	P005-002050	9 - 7
610313-52932	7 - 18	94060-00626	7 - 13	P021-000430	6 - 1
610434-50031	7 - 9	94060-06900	7 - 5	P021-005785	7 - 1

**Index**

<b>Parts Number</b>	<b>Key No.</b>	<b>Parts Number</b>	<b>Key No.</b>	<b>Parts Number</b>	<b>Key No.</b>
P021-007712	1 - 4				
P021-014550	6 - 18				
P021-015300	4 - 8				
P021-016641	4 - 15				
P021-034372	8 - 4				
P021-035680	5 - 8				
P022-002100	3 - 2				
P022-006510	3 - 3				
P022-006830	3 - 10				
P022-006850	3 - 4				
P022-008270	3 - 8				
P022-008280	3 - 7				
P022-019680	3 - 11				
P022-023170	3 - 13				
P022-025530	7 - 30				
P022-025540	7 - 22				
P022-025550	7 - 26				
P022-025560	7 - 28				
P022-025570	7 - 27				
P022-025580	7 - 25				
P022-025590	7 - 29				
P022-025600	7 - 24				
P022-025610	7 - 23				
P022-025730	3 - 9				
P022-027820	7 - 21				
V100-000160	1 - 3				
V104-000500	4 - 24				
V104-001760	4 - 18				
V150-000371	4 - 22				
V202-000090	1 - 20				
V202-000090	3 - 15				
V203-001980	8 - 9				
V315-000030	2 - 10				
V376-000990	2 - 20				
V430-002290	6 - 26				
V471-001190	5 - 3				
V471-001200	5 - 2				
V475-003960	2 - 6				
V553-000060	1 - 16				
X047-000430	7 - 20				
X505-002310	1 - 21				
X543-002940	3 - 16				
X543-002950	2 - 13				
X606-000080	8 - 12				
X690-000050	8 - 10				
X698-000040	8 - 15				

# YAMABIKO CORPORATION

7-2 SUEHIROCHO 1-CHOME, OHME, TOKYO 198-8760, JAPAN  
PHONE: 81-428-32-6118. FAX: 81-428-32-6145.

**shindaiwa<sup>®</sup>**