

# shindaiwa

## PARTS PRICE LIST

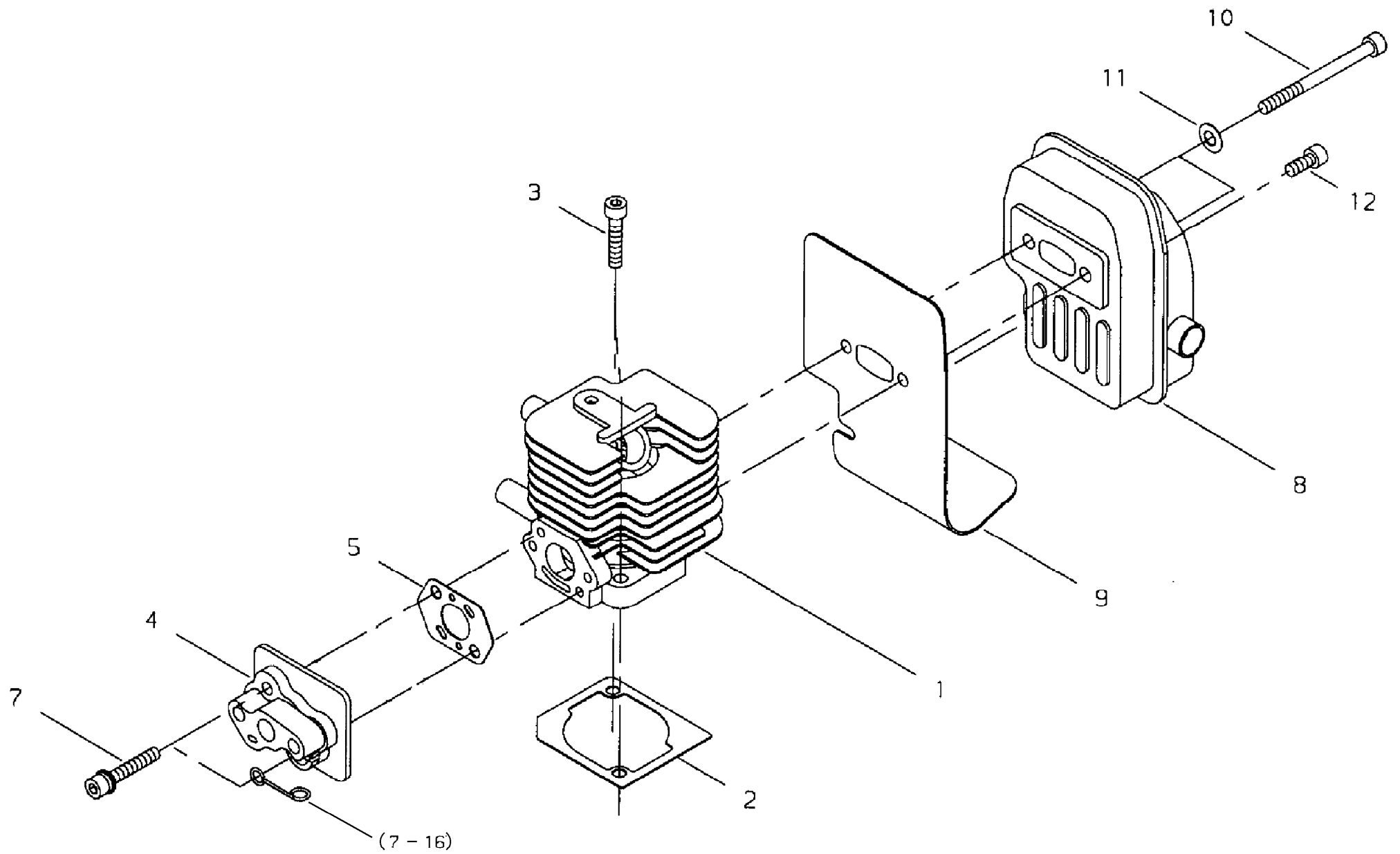
T 2 3 0

**Shindaiwa Kogyo Co.,Ltd.**

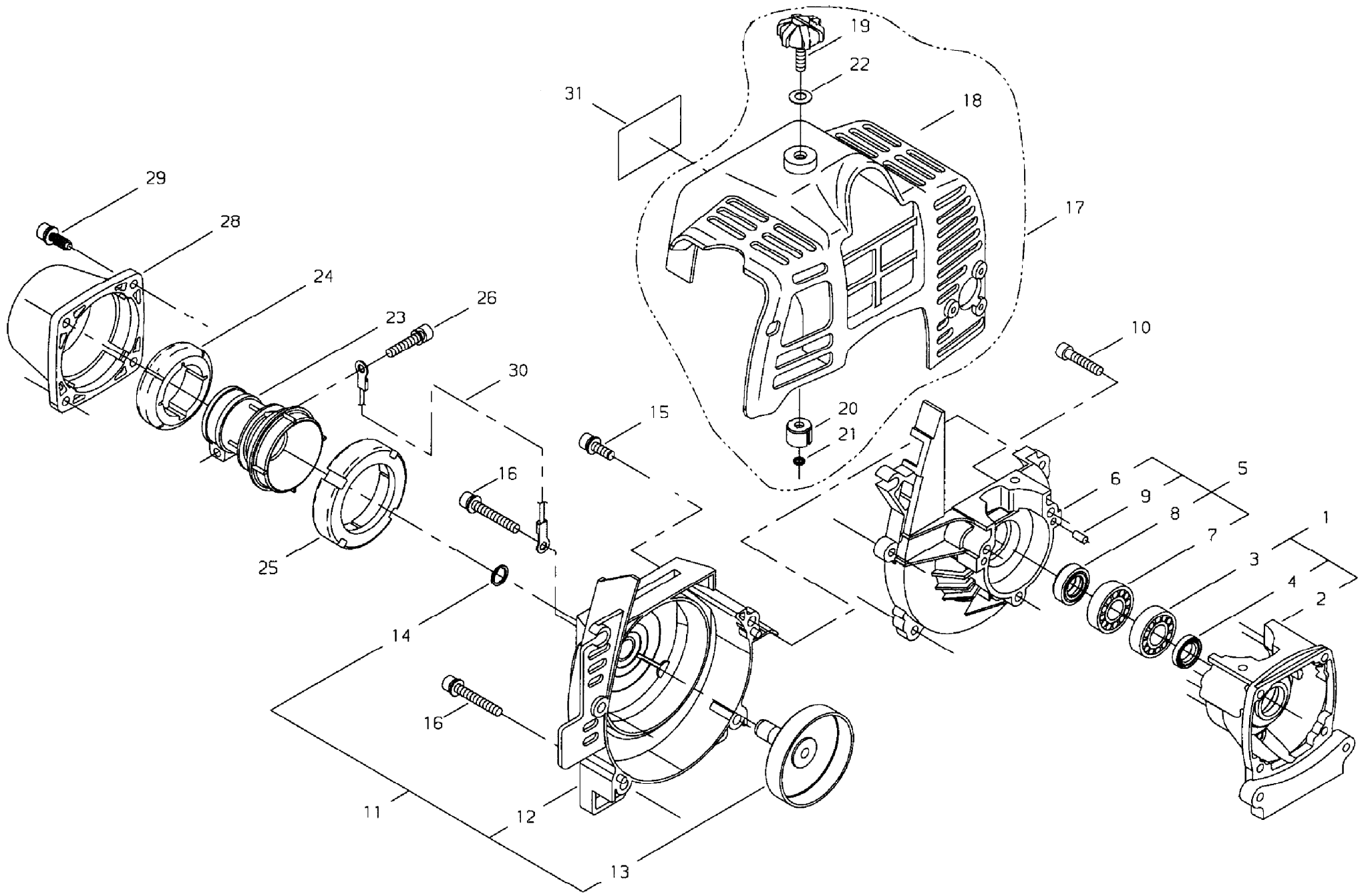
6-2-11,Ozuka-Nishi, Asaminami-ku, Hiroshima, 731-3167, Japan

Telephone (082) 849-2005 Fax (082) 849-2481

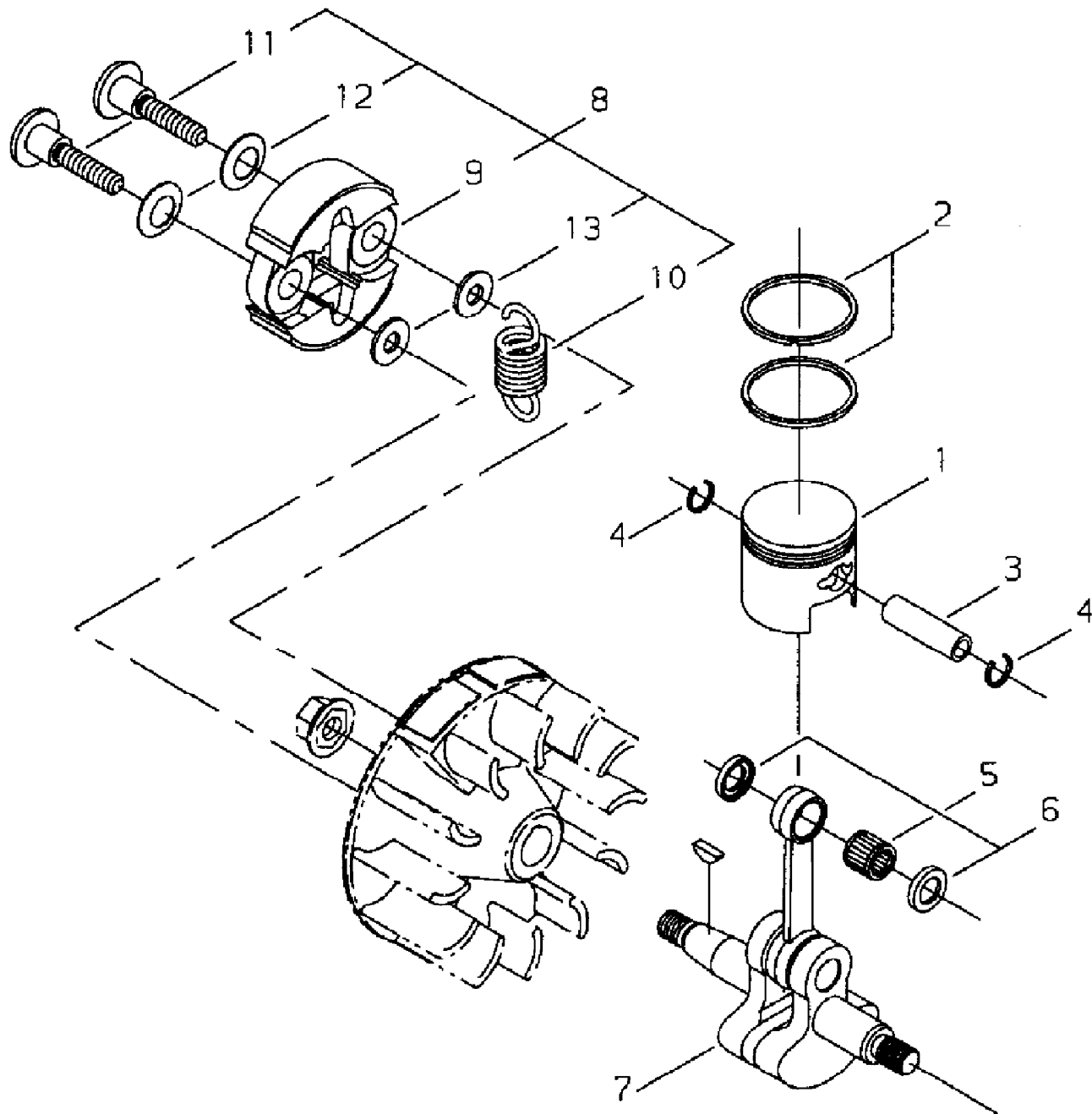
T 2 3 0 / E C 1  
A P R . 1 , 2 0 0 5  
P r i n t e d i n J a p a n



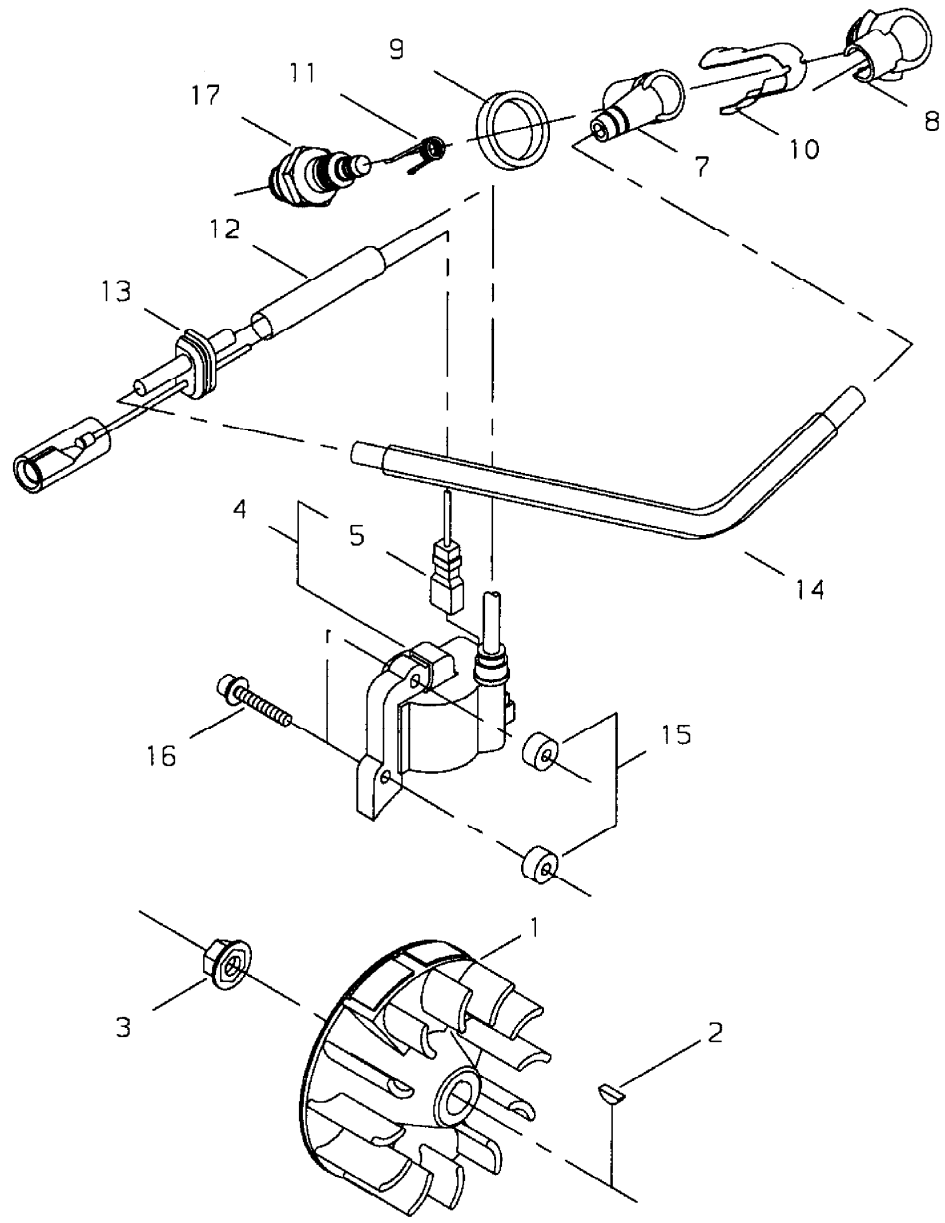




Ref. No	Part No.	Part Name	Q' ty	Remarks, Serial No.	
2-	1	20016-21100	CRANK CASE S COMP	1	
	2	20016-21111	• CRANK CASE S	1	
	3	12900-60010	• BEARING	1	
	4	22150-21250	• OIL SEAL	1	
	5	20016-21200	CRANK CASE M COMP	1	
	6	20016-21120	• CRANK CASE M	1	
	7	12900-60010	• BEARING	1	
	8	20000-21211	• OIL SEAL	1	
	9	12492-40080	• ROLLER	2	
	10	01020-05250	BOLT	3	
	11	62078-31010	FAN COVER ASSY	1	
	12	70140-31112	• FAN COVER	1	
	13	20016-31212	• CLUTCH DRUM	1	
	14	20000-31140	• SNAP RING	1	
	15	11022-05160	BOLT SPW	2	
	16	11022-05450	BOLT SPW	2	
	17	37027-32100	CYLINDER COVER ASSY	1	
	18	70140-32111	• CYLINDER COVER	1	
	19	20018-31251	• KNOB	1	
	20	20018-31260	• INSULATOR	1	
	21	20018-31270	• CLIP	1	
	22	20024-81790	• CONE WASHER	1	
	23	20018-31410	JOINT	1	
	24	20018-31420	FRONT CUSHION	1	
	25	20018-31430	REAR CUSHION	1	
	26	11023-05250	BOLT SW	1	
	28	70135-31470	CAP	1	
	29	70140-31480	BOLT PC	4	
	30	70192-31510	EARTH CORD	1	
	31	70140-32121	LABEL TRADE	1	

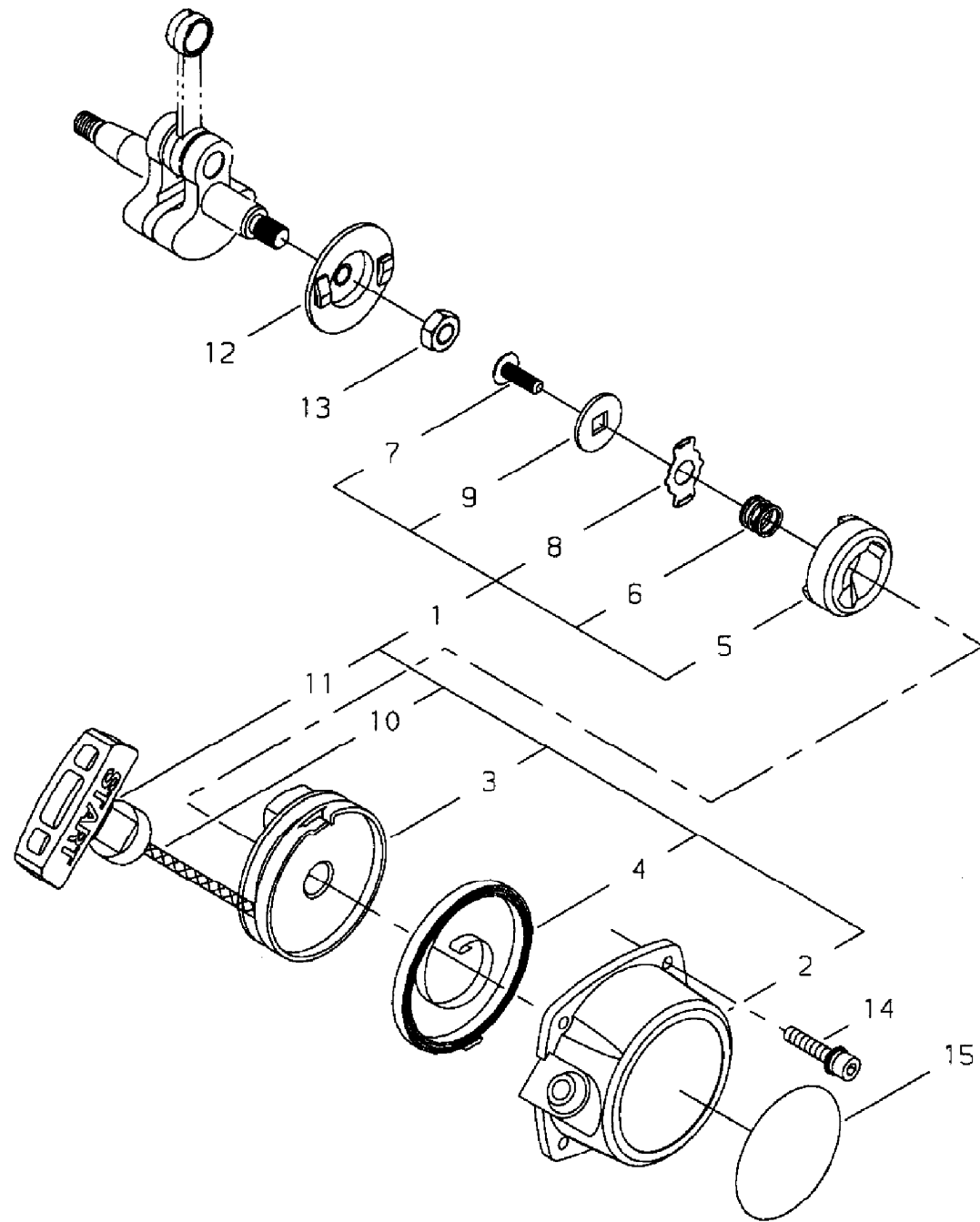


Ref. No	Part No.	Part Name	Q'ty	Remarks, Serial No.
3-	1 20075-41110	PISTON	1	
	2 20000-41210	PISTON RING	2	
	3 20016-41310	PISTON PIN	1	
	4 70030-41320	SNAP RING	2	
	5 20016-41330	NEEDLE BEARING	1	
	6 20016-41340	THRUST WASHER	2	
	7 20016-42002	CRANK SHAFT ASSY	1	
	8 70140-51102	CLUTCH SHOE ASSY	1	
	9 70140-51113	• CLUTCH SHOE	2	
	10 37013-51310	• COIL SPRING	1	
	11 20087-51210	• BOLT	2	
	12 20087-51231	• SPRING PLATE	2	
	13 22100-71430	• WASHER	2	

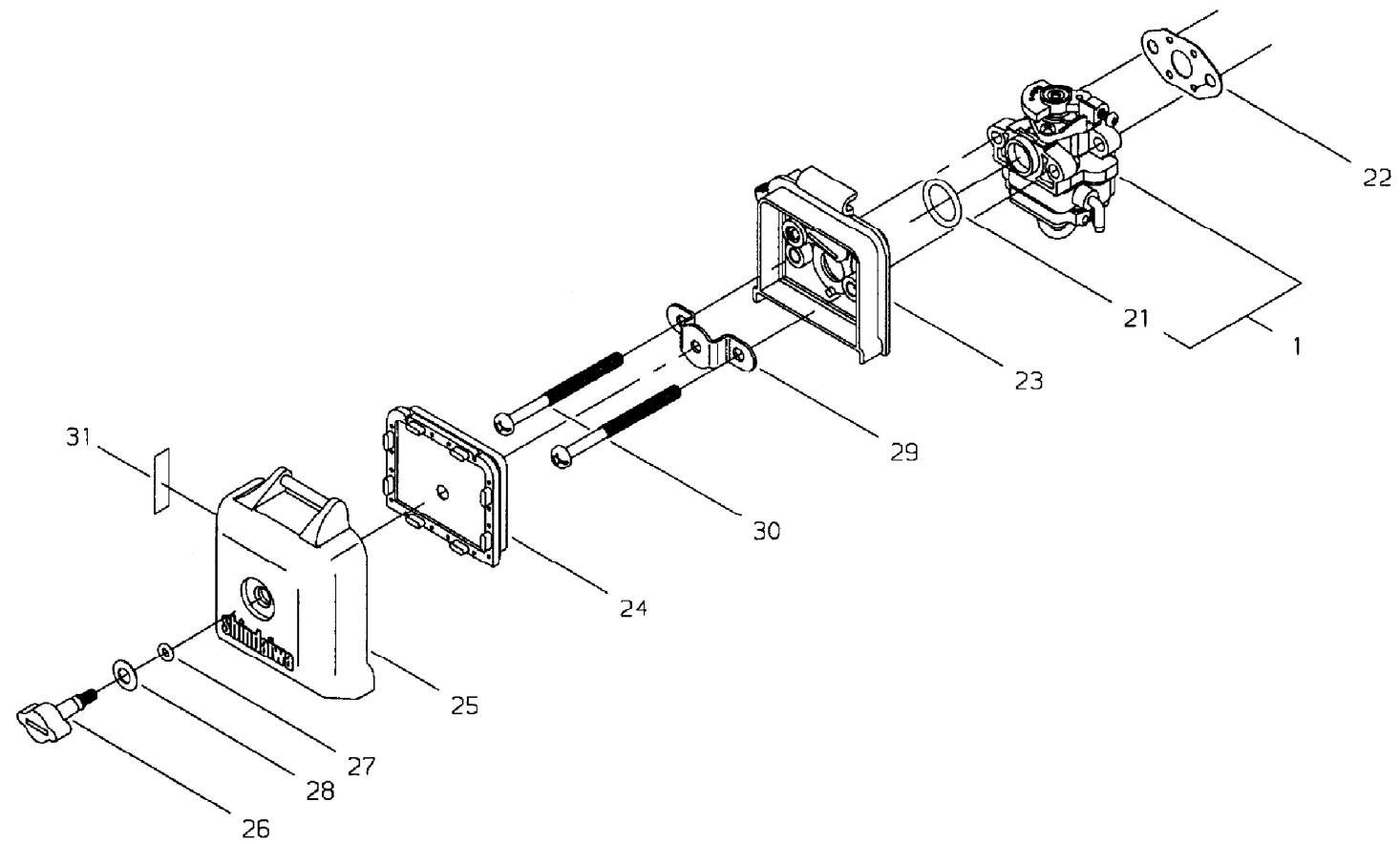
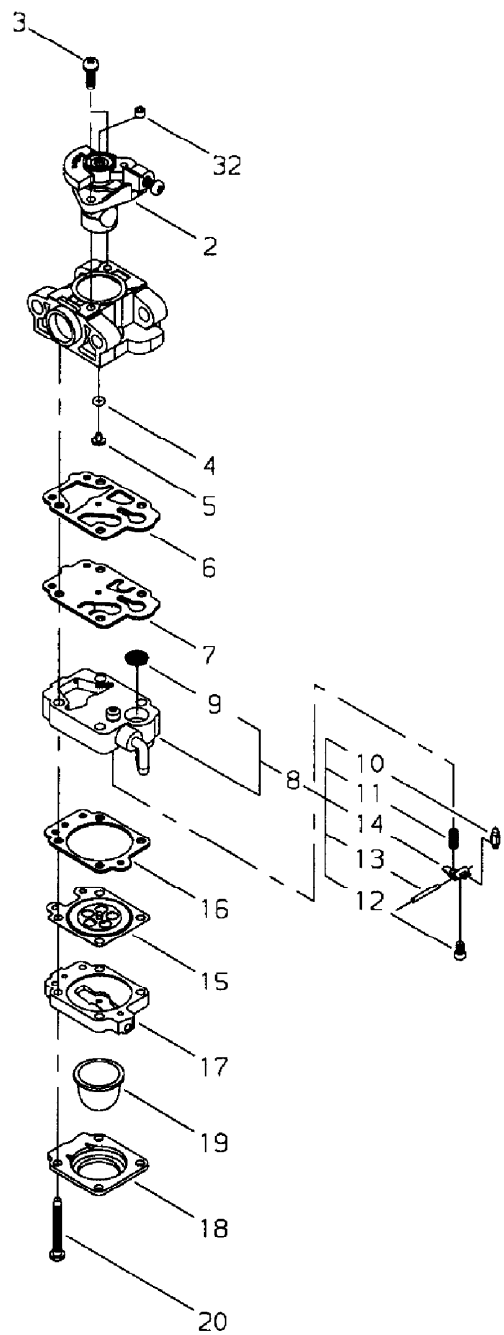




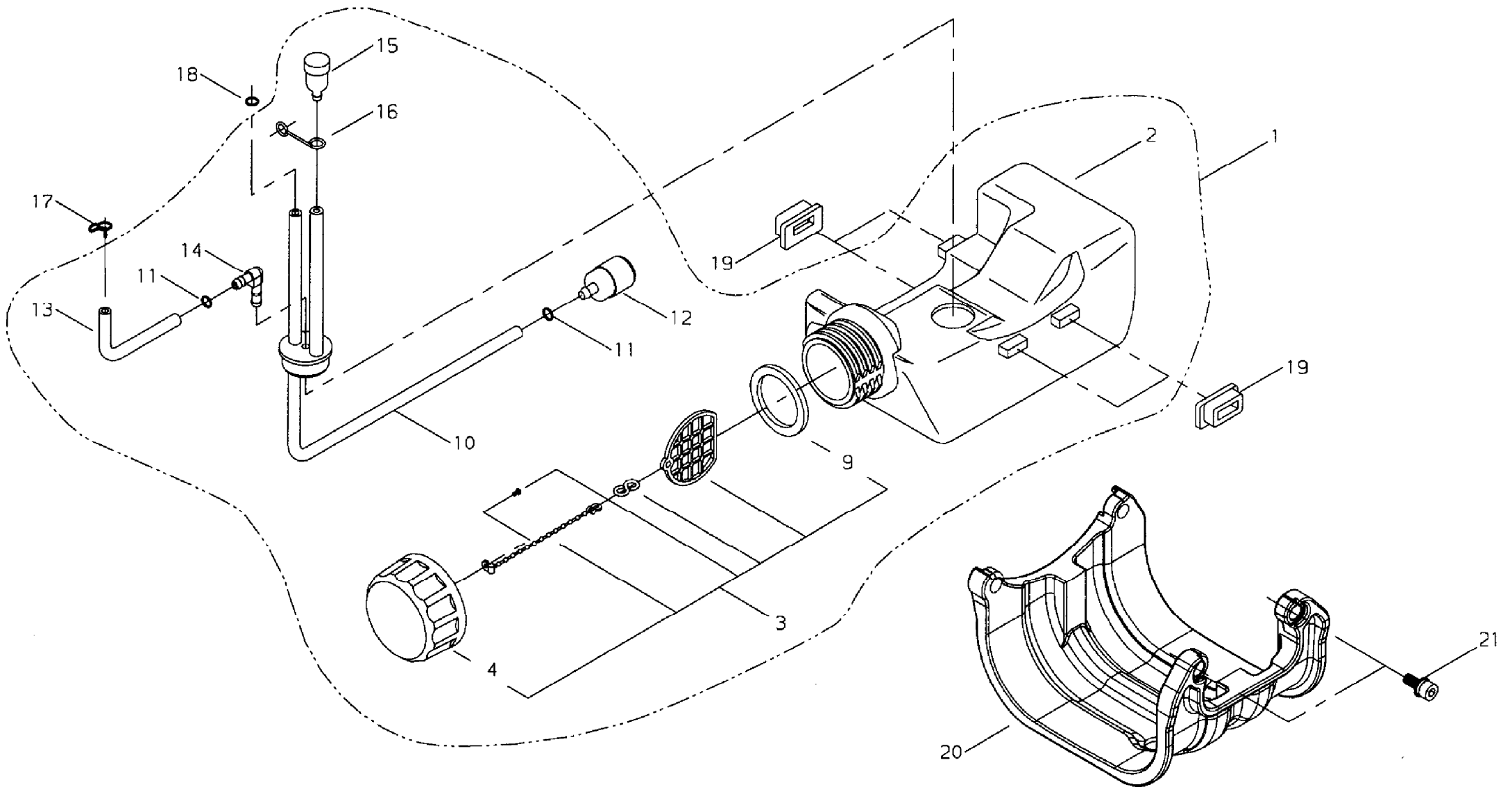
Ref. No	Part No.	P a r t N a m e	Q' t y	Remarks、Serial No.
4-	1 20016-71200	ROTOR	1	
	2 02403-03100	KEY	1	
	3 20035-71220	NUT	1	
	4 20016-71601	COIL ASSY	1	
	5 20016-71641	• CORD	1	
	7 20010-72221	PLUG CAP	1	
	8 20000-72241	PLUG CAP COVER	1	
	9 20000-72250	COVER BAND	1	
	10 70180-72260	SHIELD	1	
	11 20000-72230	SPRING SPARK PLUG	1	
	12 20016-71651	TUBE	1	
	13 20010-72110	GROMMET	1	
	14 20016-71660	TUBE	1	
	15 70030-71620	INSULATOR	2	
	16 11024-04261	BOLT SLPW	2	
	17 13000-13406	SPARK PLUG BMR6A	1	



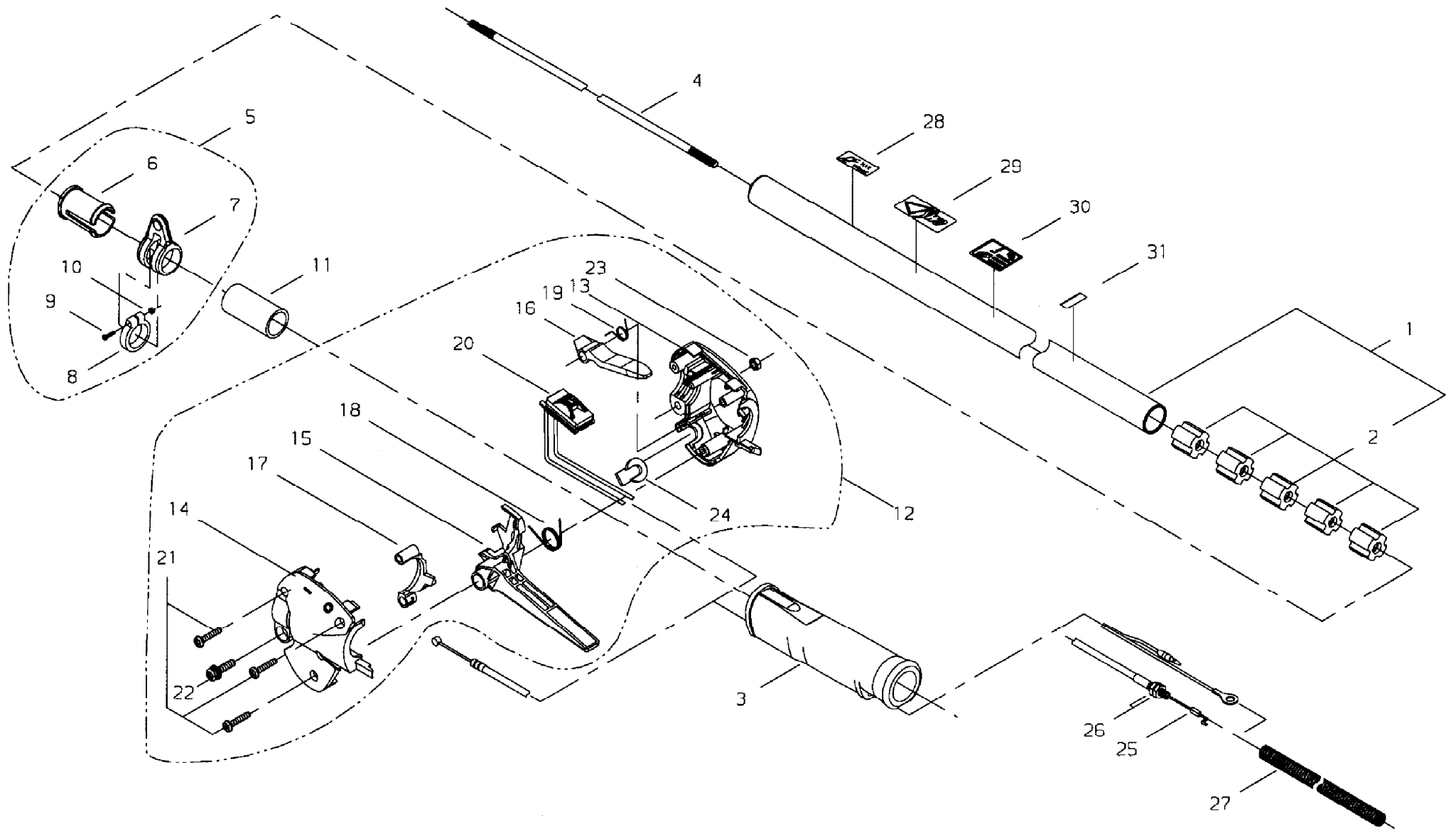
Ref. No	Part No.	P a r t N a m e	Q' t y	Remarks, Serial No.
5-	1 72933-75900	RECOIL STARTER SUB ASSY	1	
	2 70064-75110	• STARTER CASE	1	
	3 72933-75120	• REEL	1	
	4 70064-75130	• RECOIL SPRING	1	
	5 72933-75140	• DOG	1	
	6 70064-75150	• WAVE WASHER	1	
	7 72933-75160	• SCREW	1	
	8 72933-75170	• RETAINER	1	
	9 72933-75180	• WASHER	1	
	10 70064-75190	• ROPE	1	
	11 32004-75150	• KNOB	1	
	12 70064-75310	STARTER PULLEY	1	
	13 01511-08051	NUT	1	
	14 11060-04122	BOLT ADHESIVE	4	
	15 70117-75311	NAME PLATE	1	



Ref. No	Part No.	Part Name	Q'ty	Remarks, Serial No.
6- 1	62064-81011	CARBURETOR ASSY	1	
2	20016-81180	• VALVE ASSY	1	
3	70064-81290	• SCREW	2	
4	70097-81220	• O RING	1	
5	62064-81310	• MAIN JET	1	
6	70097-81310	• GASKET PUMP	1	
7	70097-81320	• DIAPHRAGM	1	
8	20016-81410	• PUMP BODY COMP	1	
9	70030-81380	SCREEN	1	
10	20036-81440	NEEDLE VALVE	1	
11	20016-81270	SPRING	1	
12	20016-81450	SCREW	1	
13	22100-81250	PIN	1	
14	22100-81230	LEVER	1	
15	37013-81310	• DIAPHRAGM	1	
16	20016-81280	• GASKET	1	
17	20016-81420	• PUMP BASE COMP	1	
18	20016-81510	• PUMP COVER	1	
19	20036-81670	• PRIMER PUMP	1	
20	20016-81140	• SCREW	4	
21	20016-81250	• O RING	1	
32	62074-81320	• PLAG	1	
22	20016-81530	GASKET	1	
23	70140-81710	CLEANER BODY COMP	1	
24	60023-98031	FILTER	1	
25	70140-81760	CLEANER COVER	1	
26	20115-81780	KNOB CLEANER COVER	1	
27	22100-82430	O RING	1	
28	20024-81790	CONE WASHER	1	
29	20018-81721	BACK PLATE	1	
30	11203-05608	SCREW PM SW	2	
31	19404-00008	LABEL CHOKE	1	

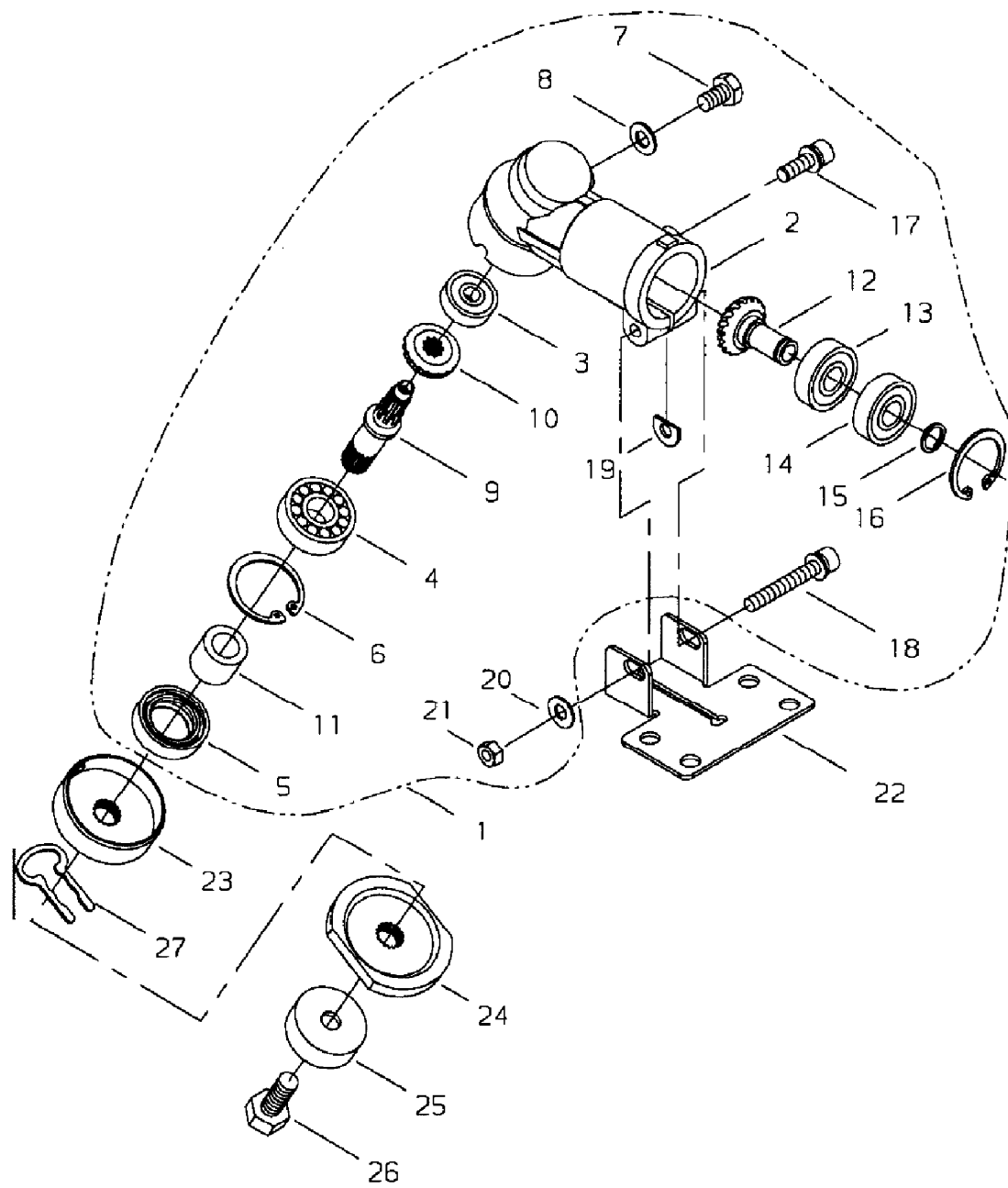


Ref. No	Part No.	Part Name	Q'ty	Remarks, Serial No.
7-	1 70192-85001	FUEL TANK ASSY	1	
	2 20016-85112	• FUEL TANK	1	
	3 70168-85201	• FUEL CAP ASSY	1	
	4 70168-85210	FUEL CAP	1	
	9 20000-85221	GASKET	1	
	10 20016-85310	• FUEL PIPE	1	
	11 20020-85540	• CLIP	2	
	12 20016-85400	• FUEL FILTER	1	
	13 20089-83311	• PIPE	1	
	14 20087-85340	• JOINT	1	
	15 20035-85522	• VALVE	1	
	16 20016-12310	• VALVE HOLDER	1	
	17 37013-85310	CLIP	1	
	18 20020-85540	CLIP	1	
	19 20024-86120	TANK CUSHION	4	
	20 62902-85320	TANK GUARD	1	
	21 11022-05180	BOLT SPW	2	

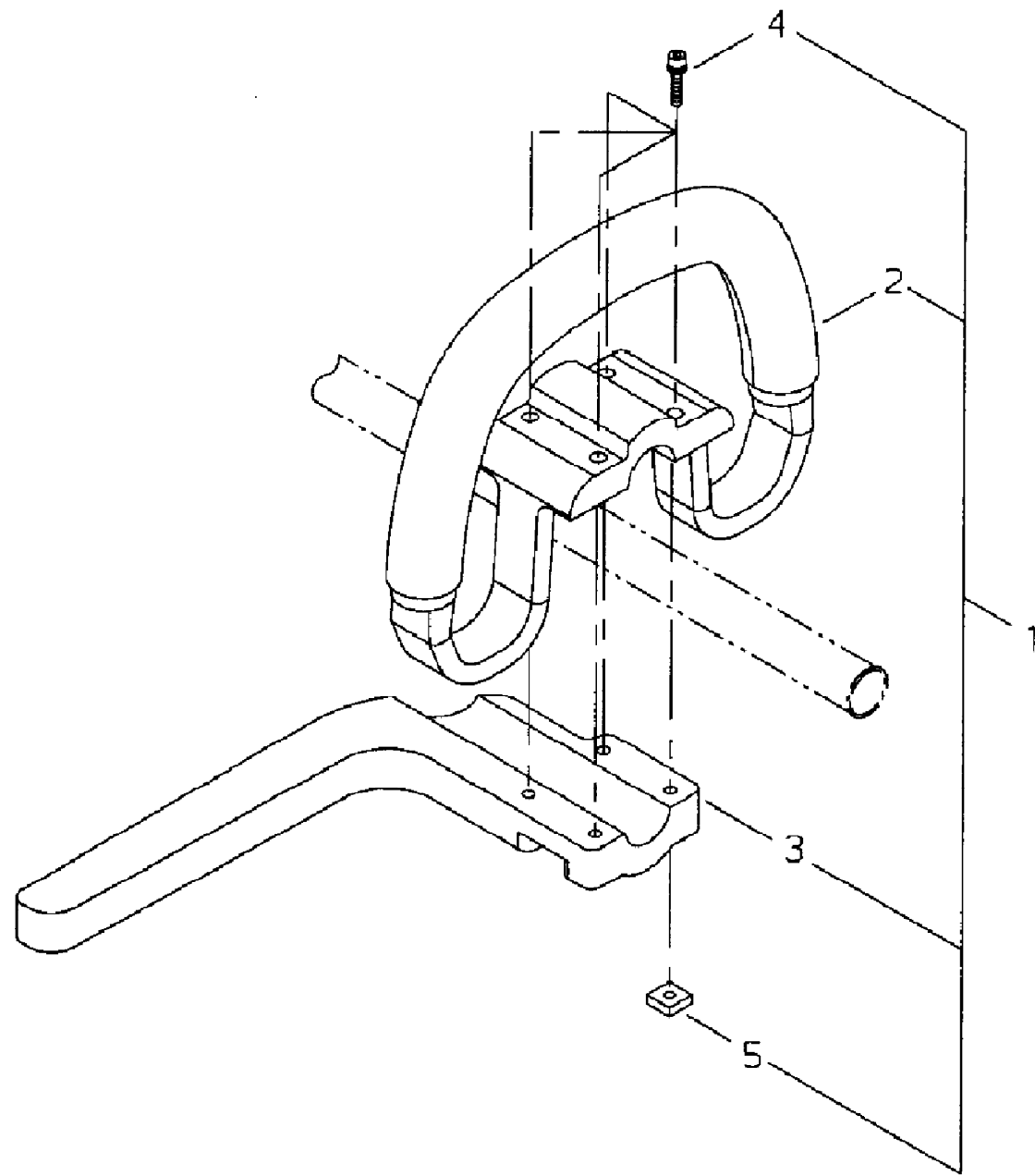




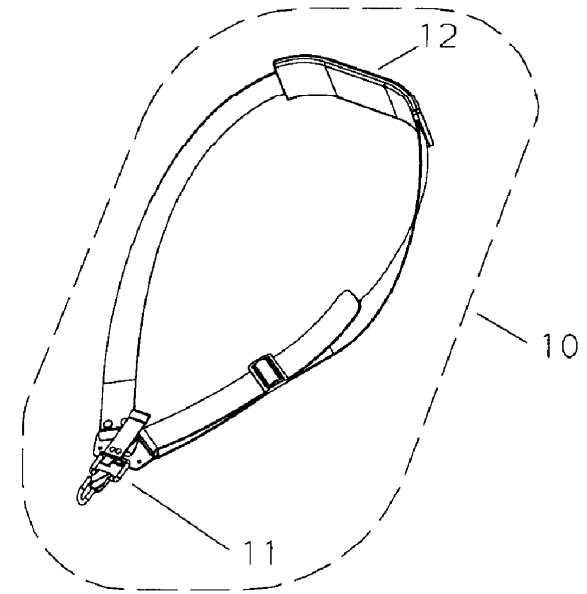
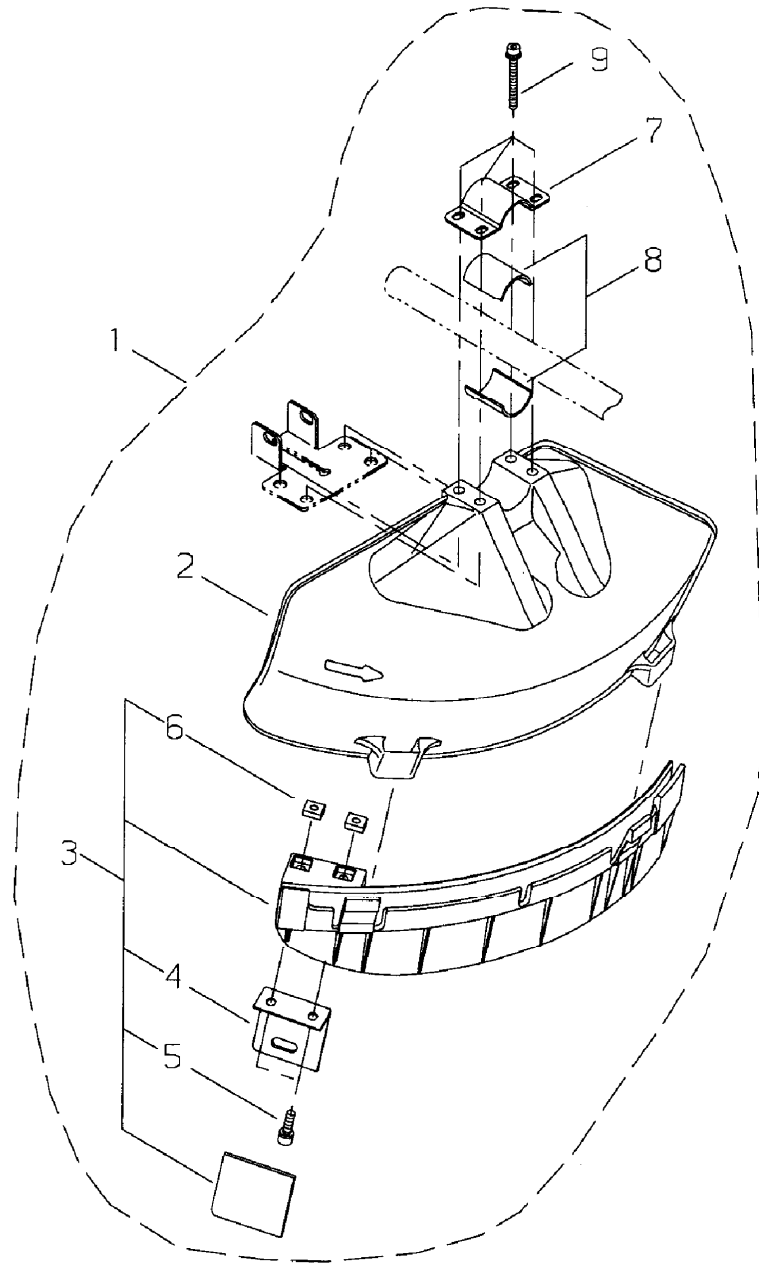
Ref. No	Part No.	Part Name	Q' ty	Remarks, Serial No.
8- 1	72432-12100	OUTER PIPE COMP	1	
2	22035-12120	• BUSH	5	
3	63901-62140	GRIP	1	
4	22070-12410	MAIN SHAFT	1	
5	33008-62340	HANGER ASSY	1	
6	33008-62321	• COLLAR	1	
7	33008-62151	• HANGER	1	
8	33008-62311	• CLAMP	1	
9	11203-04160	• SCREW PM	1	
10	01500-04031	• NUT	1	
11	65006-62310	PROTECTOR	1	
12	63002-62161	THROTTLE LEVER ASSY	1	
13	63002-62320	• BODY RIGHT	1	
14	63002-62330	• BODY LEFT	1	
15	63002-62340	• LEVER	1	
16	63901-62352	• LOCK LEVER	1	
17	63002-62350	• HOLDER	1	
18	63880-65350	• COIL SPRING	1	
19	63901-62370	• COIL SPRING	1	
20	63002-62360	• SWITCH	1	
21	63880-65360	• SCREW TAPPING	3	
22	11206-05201	• SCREW PM SPW	1	
23	01501-05030	• NUT	1	
24	63880-65411	• PLUG	1	
25	63002-62170	THROTTLE CABLE	1	
26	01501-06041	NUT	2	
27	22422-14540	TUBE	1	
28	19402-00223	LABEL CAUTION	1	
29	19422-00010	LABEL CAUTION	1	
30	19404-00036	LABEL DECIBEL	1	
31	72017-12150	HANDLE LABEL	1	



Ref. No	Part No.	Part Name	Q' ty	Remarks, Serial No.
9- 1	63901-63022	GEAR CASE SUB ASSY	1	
2	22035-13113	• GEAR CASE	1	
3	02006-00626	• BEARING	1	
4	02000-06000	• BEARING	1	
5	22035-13140	• OIL SEAL	1	
6	02432-26120	• SNAP RING	1	
7	01014-06100	• BOLT	1	
8	22000-13410	• GASKET	1	
9	22410-13210	• GEAR SHAFT	1	
10	22035-13220	• BEVEL GEAR	1	
11	22035-13230	• COLLAR	1	
12	22035-13391	• PINION SET	1	
13	02000-00608	• BEARING	1	
14	02002-00608	• BEARING	1	
15	22035-13340	• SNAP RING	1	
16	02432-22100	• SNAP RING	1	
17	11022-05160	• BOLT SPW	1	
18	11022-05350	• BOLT SPW	1	
19	22000-13420	• SHIM	1	
20	01613-05080	• WASHER	1	
21	01500-05041	• NUT	1	
22	72480-16130	LOWER CLAMP	1	
23	22035-13242	HOLDER A	1	
24	22410-13251	HOLDER B	1	
25	22035-13290	BOLT GUARD	1	
26	22035-13271	BOLT	1	
27	22410-13530	SLIDE CLIP	1	







Ref. No	Part No.	P a r t N a m e	Q' t y	Remarks、Serial No.
11- 1	62903-66321	GUARD SET	1	
2	62903-66110	• GUARD	1	
3	62903-66331	• SUB GUARD ASSY	1	
4	72480-16121	CUTTER	1	
5	11020-05160	BOLT SW	2	
6	22420-16120	NUT	2	
7	72480-16210	• UPPER CLAMP	1	
8	72480-16220	• SPACER	2	
9	11022-05450	• BOLT SPW	4	
10	22421-17202	STRAP ASSY	1	
11	22421-17130	• HOOK	1	
12	22007-17220	• PROTECTOR	1	

