

# shindaiwa

## PARTS PRICE LIST

T 2 4 2 X S

### Shindaiwa Corporation

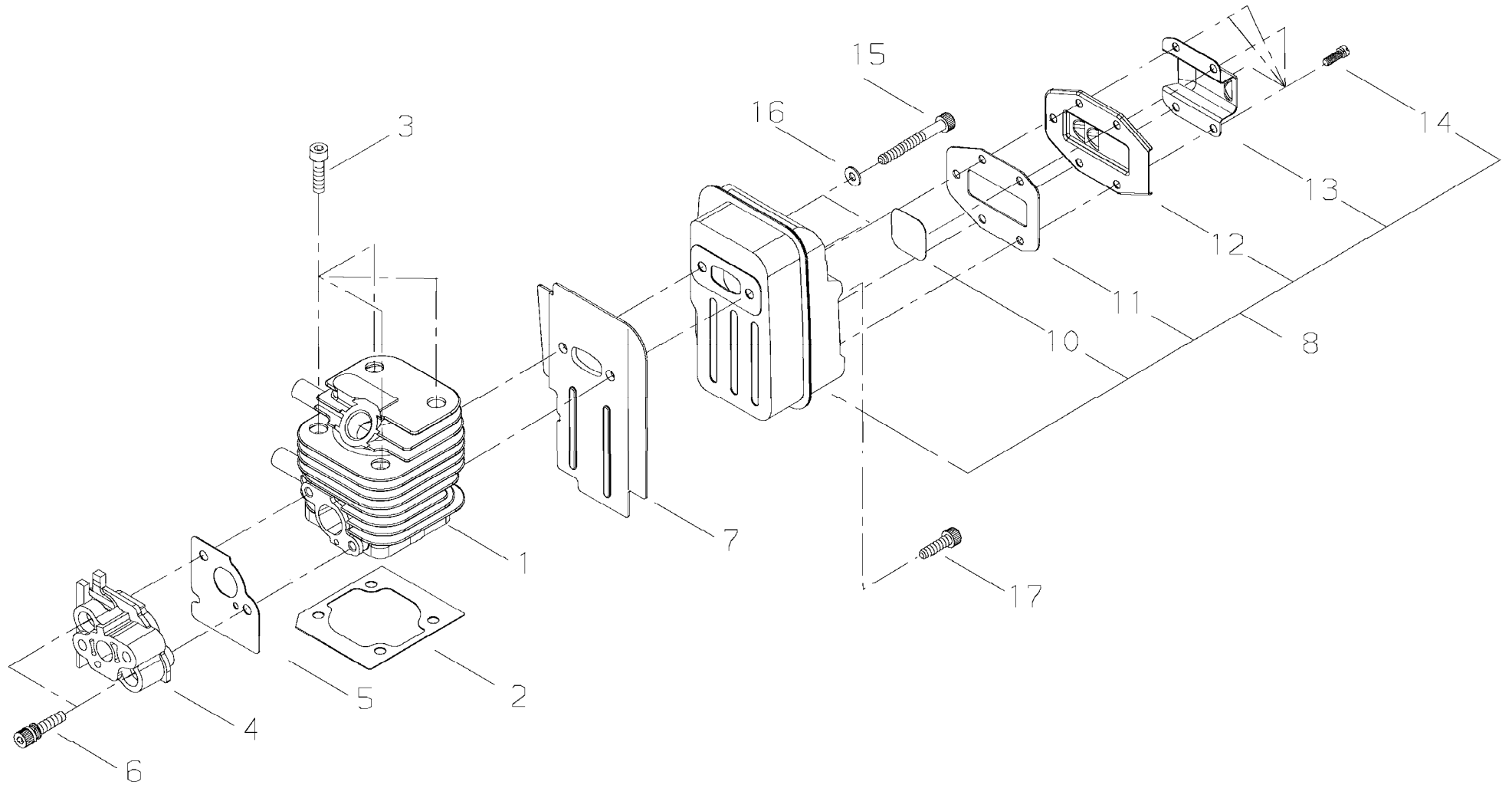
6-2-11,Ozuka-Nishi, Asaminami-ku, Hiroshima, 731-3167, Japan

Telephone (082) 849-2005 Fax (082) 849-2481

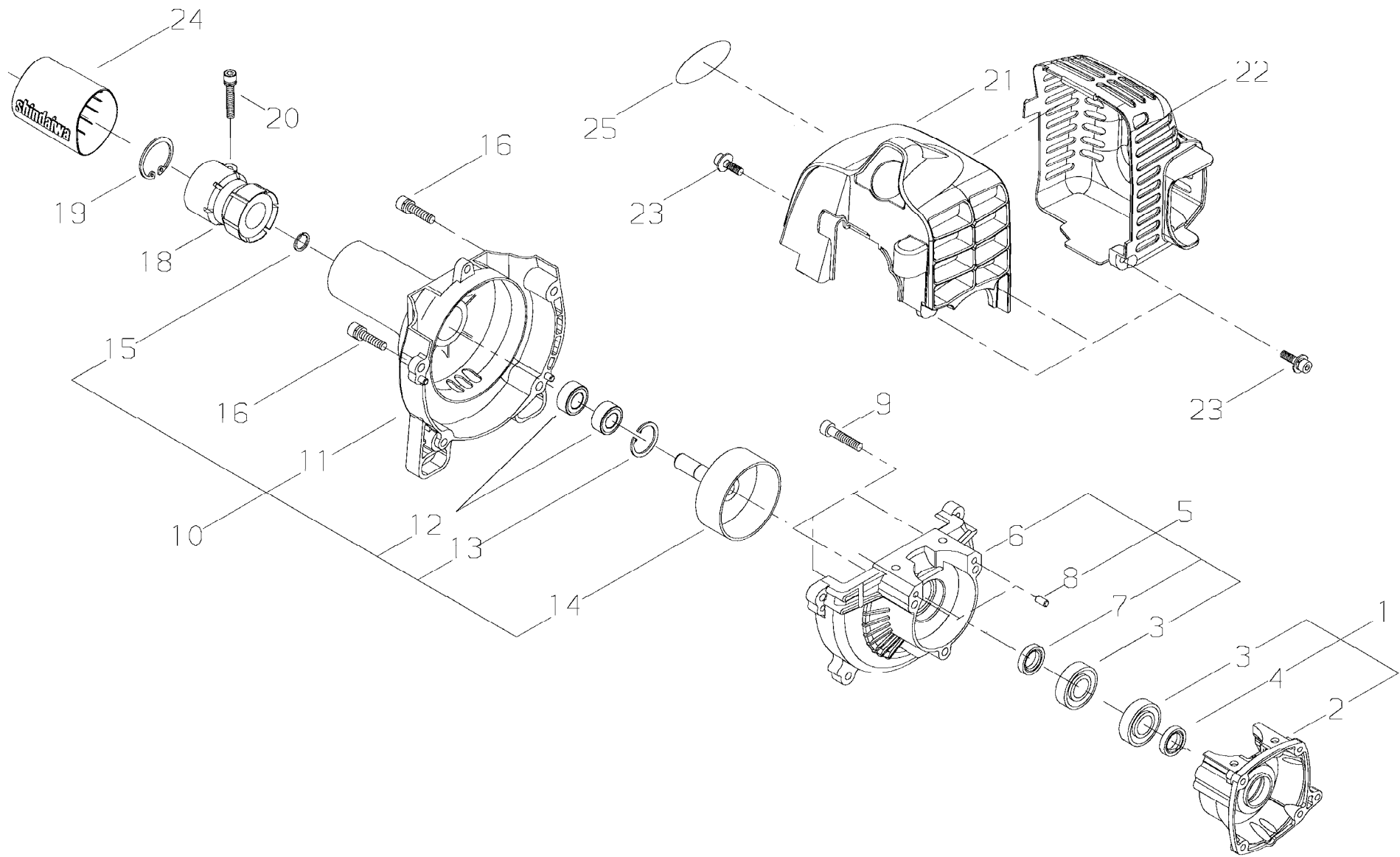
T 2 4 2 X S / E C 2

MAR . 2 , 2 0 0 9

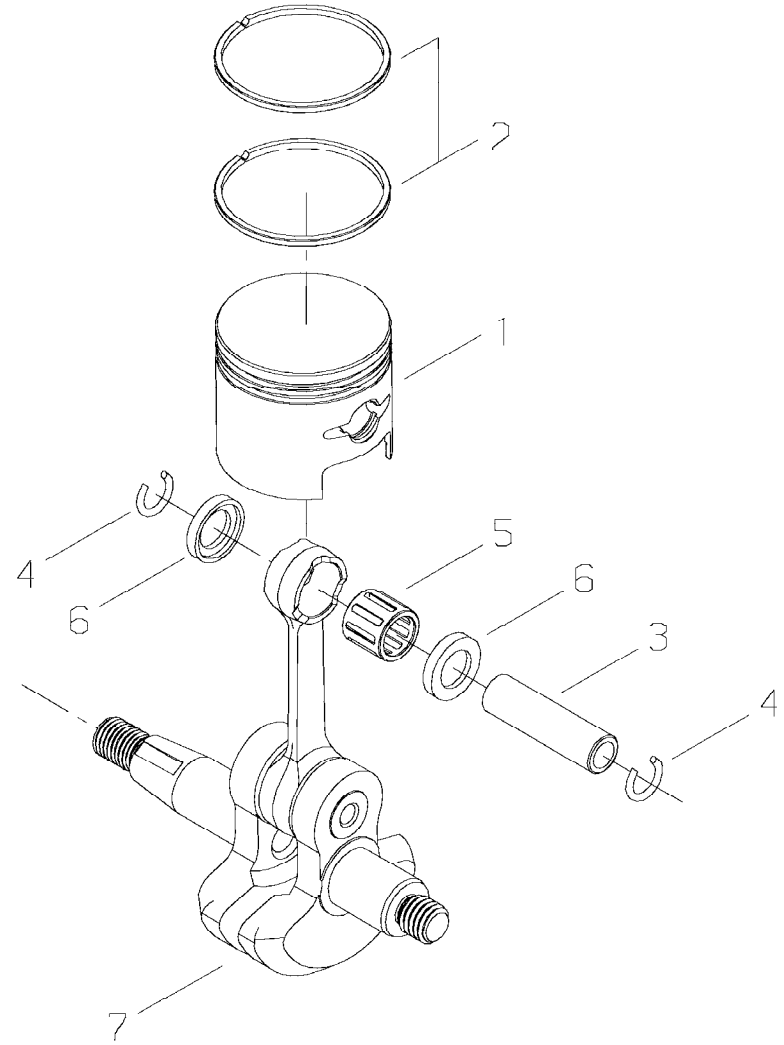
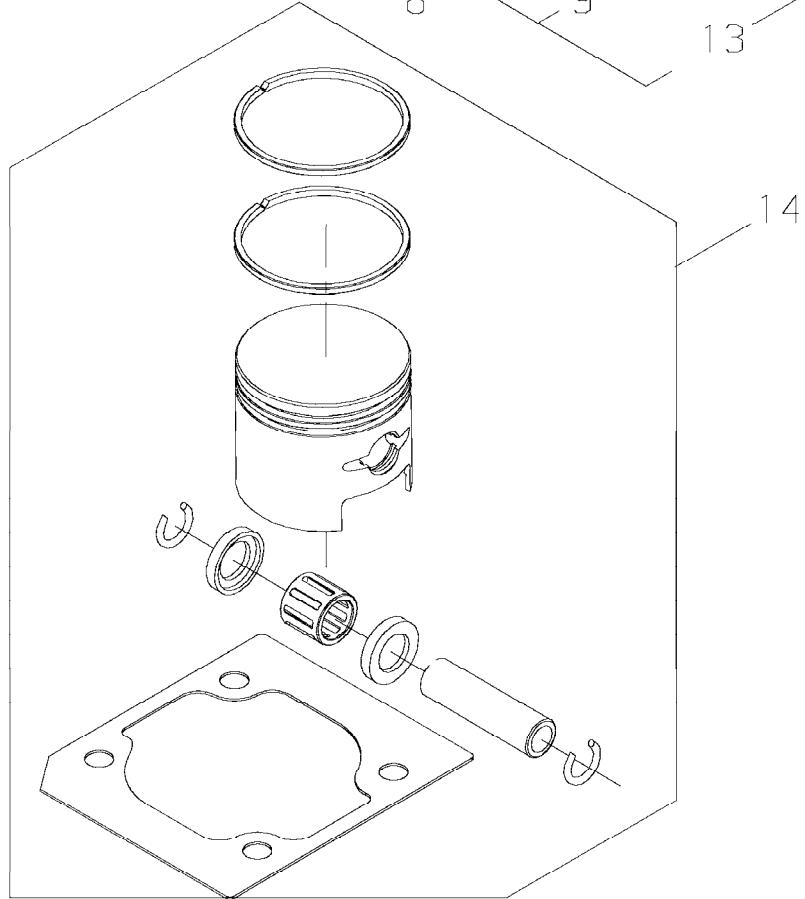
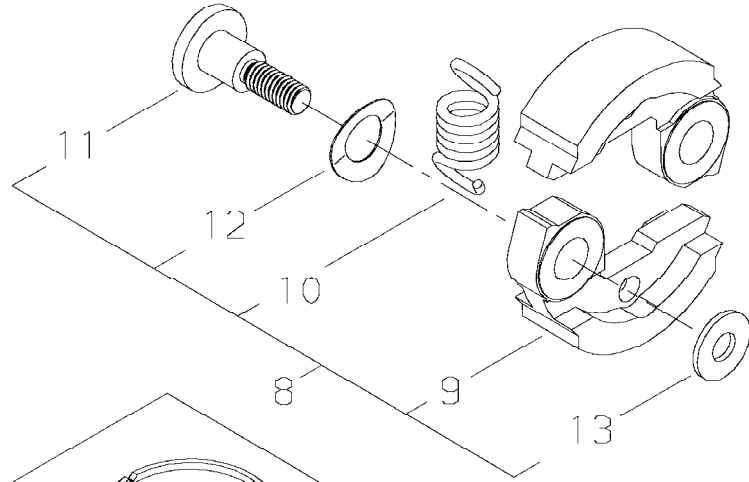
Printed in Japan



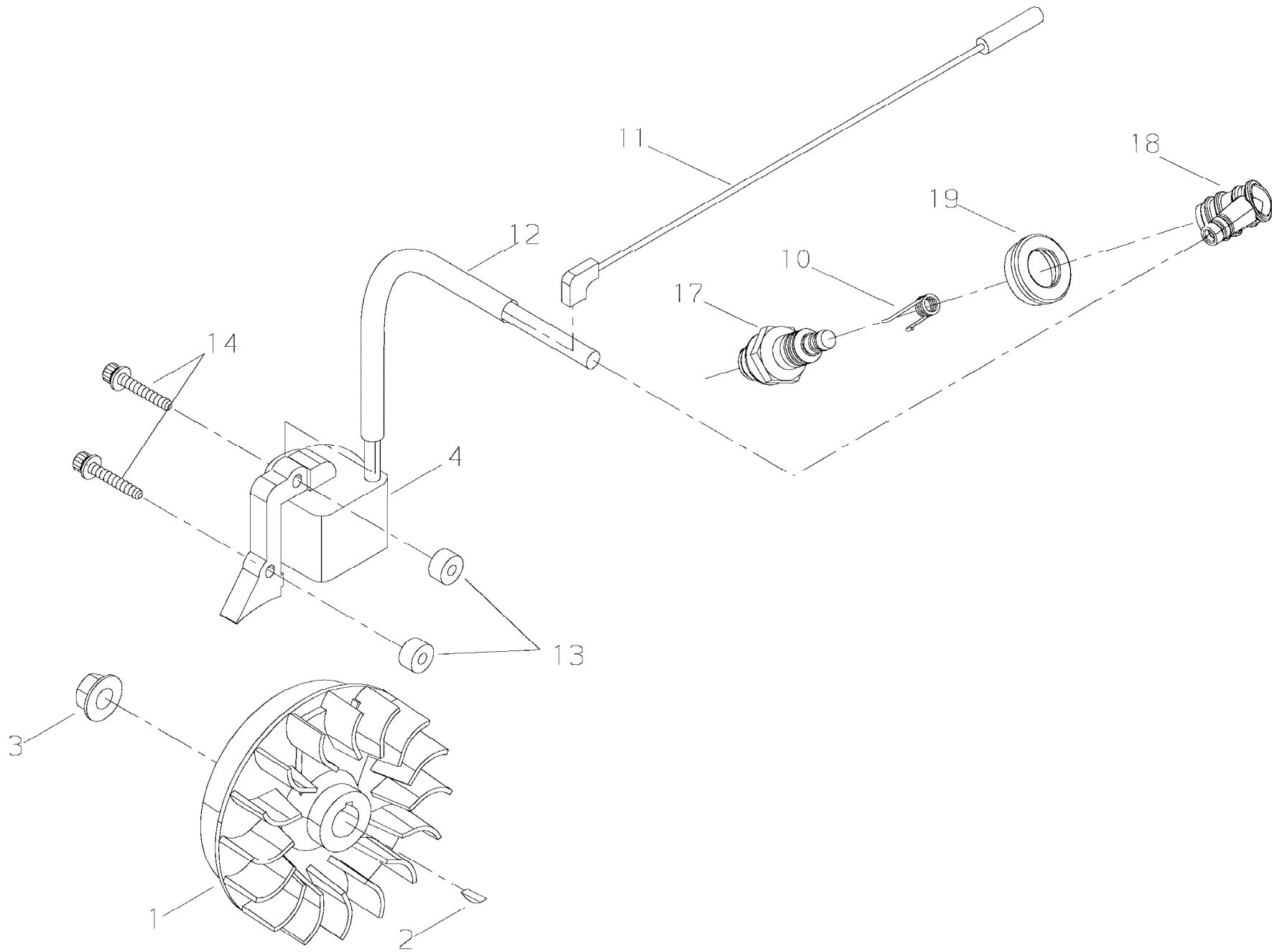






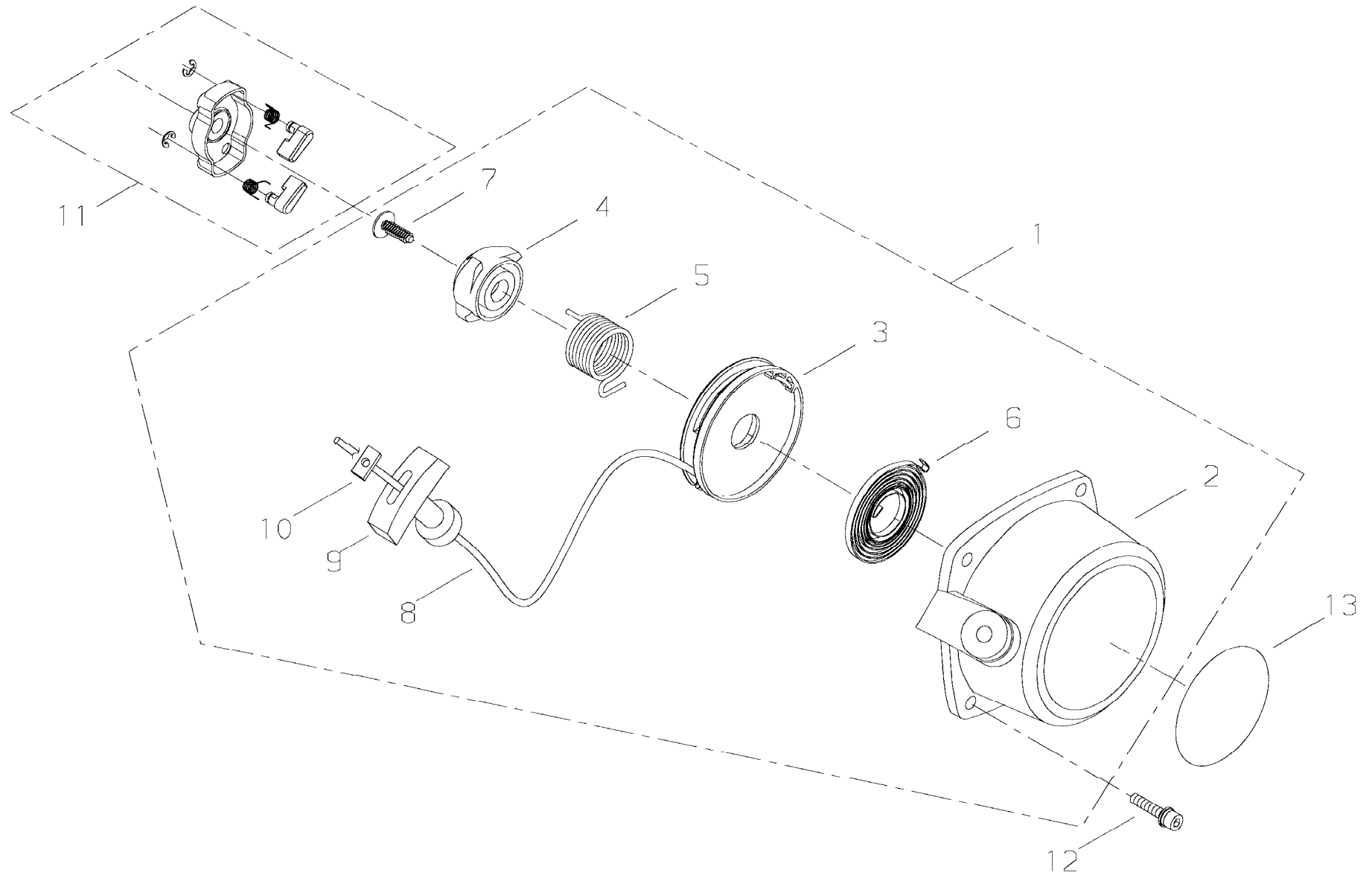




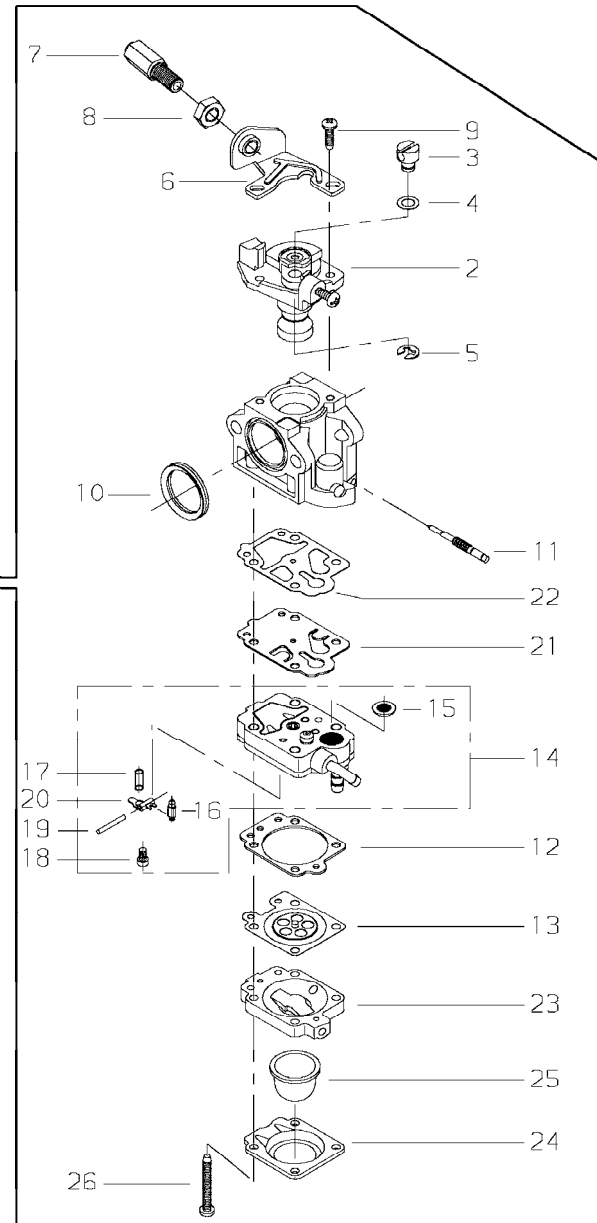
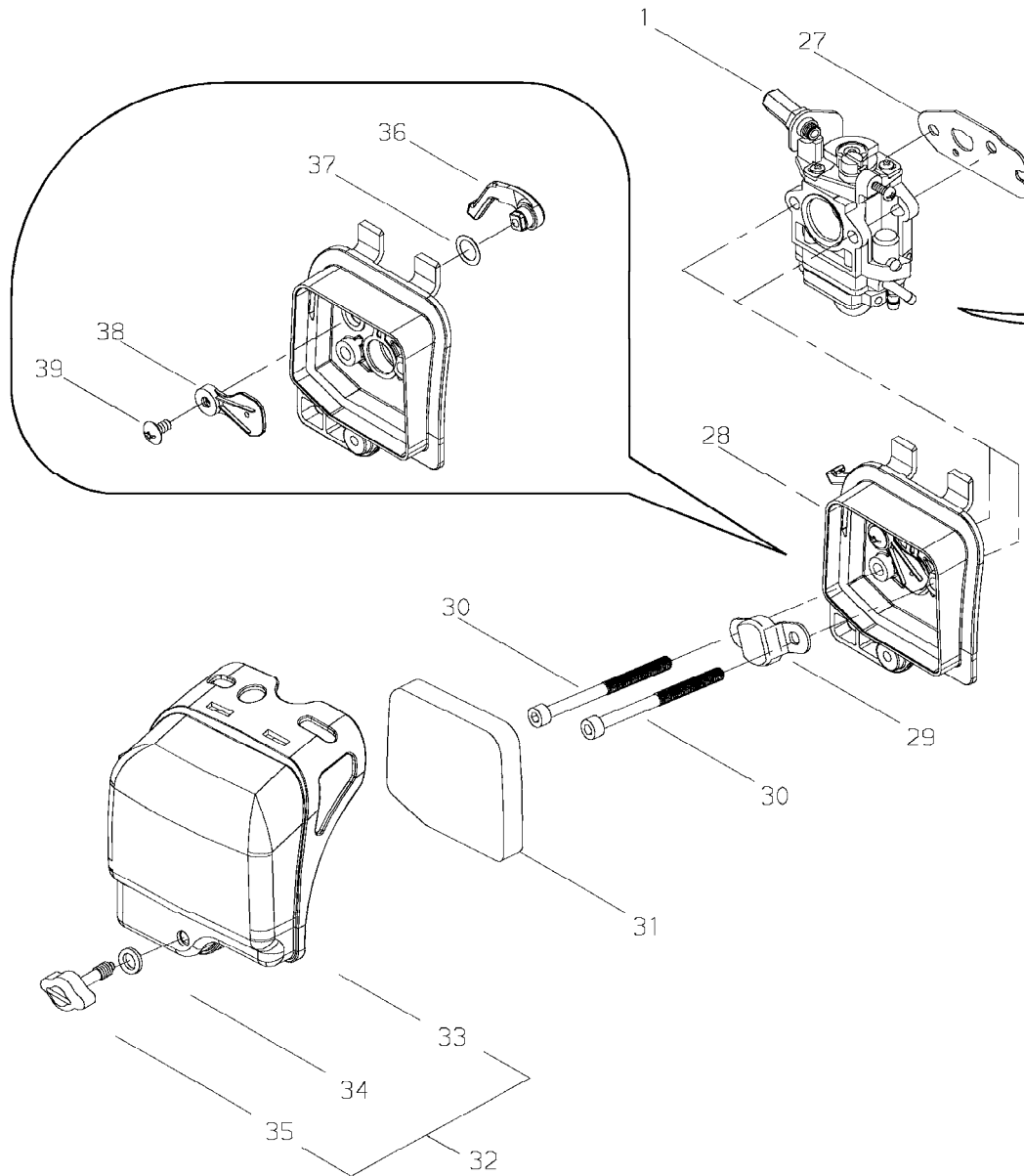












PRICE:(\$)

Ref. No.	Part No.	Part Name	Q`ty	Unit Price(\$)	Remarks
6-1	62100-81010	CARBURETOR ASSY	1		
2	62100-81310	*VALVE ASSY	1		
3	72933-81450	*SWIVEL	1		
4	20089-81185	*WASHER	1		
5	20036-81195	*E RING	1		
6	20089-81130	*BRACKET	1		
7	20123-81120	*CABLE ADJUSTER	1		
8	20036-81120	*NUT	1		
9	70097-81290	*SCREW	2		
10	72933-81250	*RING GASKET	1		
11	62100-81320	*H NEEDLE	1		H
12	20016-81280	*GASKET	1		
13	37013-81310	*DIAPHRAGM	1		
14	37013-81350	*PUMP BODY ASSY	1		
15	70030-81380	**SCREEN	1		
16	20036-81440	**NEEDLE VALVE	1		
17	72933-81270	**SPRING	1		
18	20016-81450	**SCREW	1		
19	22100-81250	**PIN	1		
20	22100-81230	**LEVER	1		
21	70097-81320	*DIAPHRAGM	1		
22	70097-81310	*GASKET,PUMP	1		
23	20016-81420	*PUMP BASE COMP	1		
24	20016-81510	*PUMP COVER	1		
25	20036-81670	*PRIMER PUMP	1		
26	20016-81140	*SCREW	4		
27	62100-81210	GASKET	1		
28	62100-82014	CLEANER BODY ASSY	1		
29	62100-82310	BACK PLATE	1		
30	01020-05605	BOLT	2		M5x60
31	62100-82120	FILTER	1		
32	62100-82031	CLEANER COVER ASSY	1		
33	62100-82130	*CLEANER COVER	1		
34	23627-21220	*COLLAR	1		
35	37033-82320	*KNOB	1		
36	62100-82320	*CHOKE LEVER	1		
37	38110-82340	*WAVE WASHER	1		
38	62100-82330	*CHOKE PLATE	1		



