

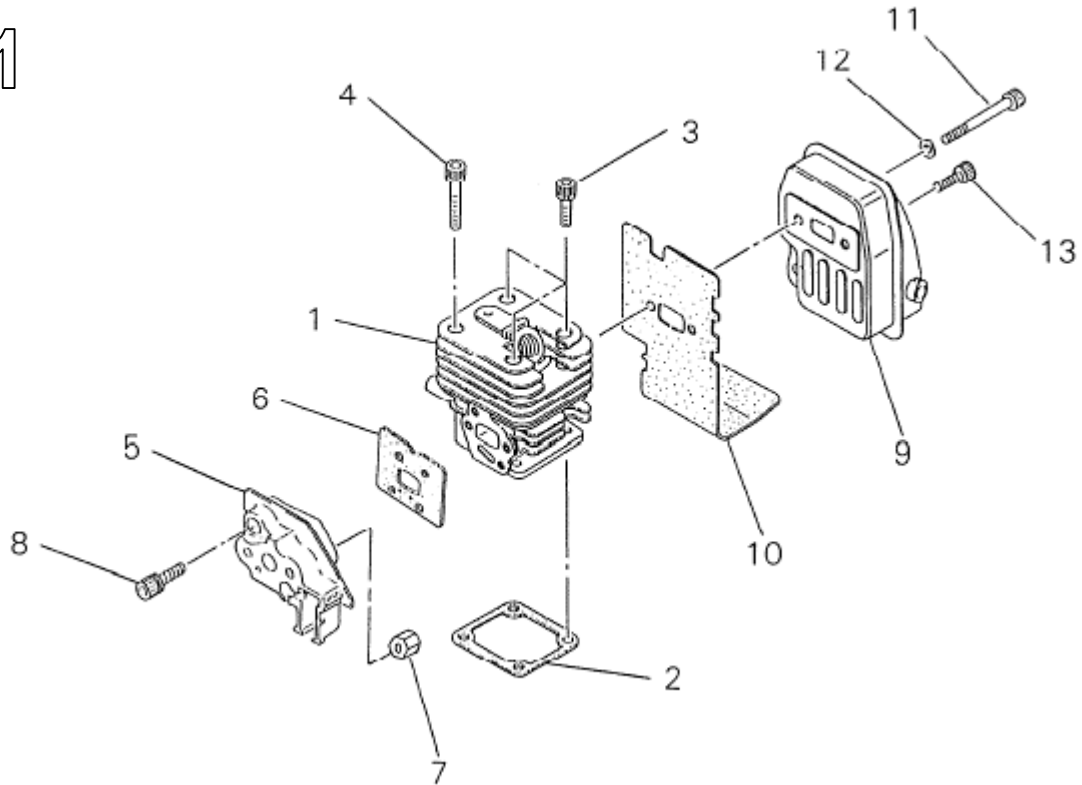
# shindaiwa

Decespugliatore

# T 260

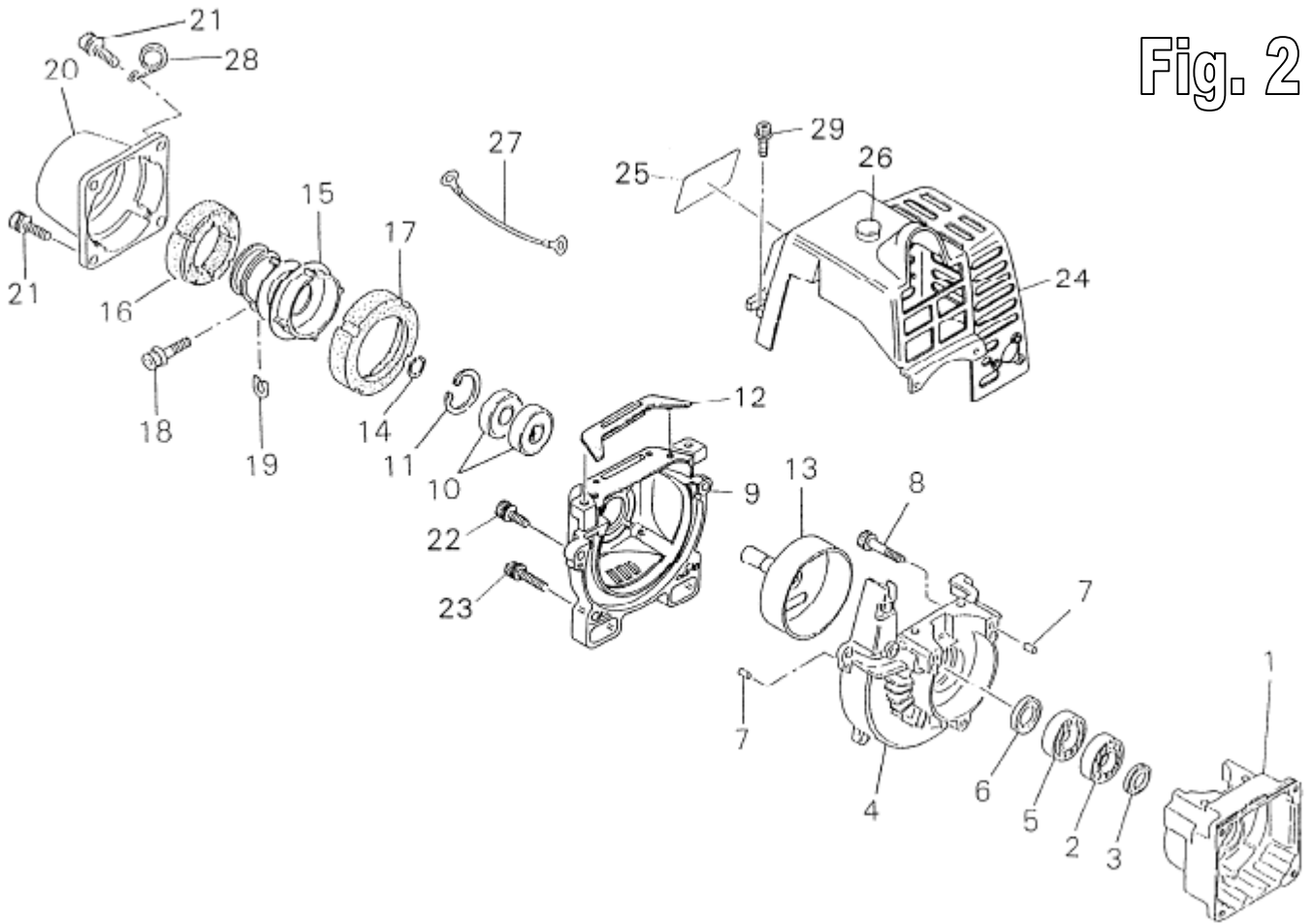
Motore fino a matr. 3024756

Fig. 1



Ref. No	Part No.	Part Name	Q`ty
1- 1	20110-12110	CYLINDER	1
2	20018-12120	GASKET	1
3	11020-05160	BOLTSW	3
4	11020-05350	BOLTSW	1
5	20110-12211	INSULATOR	1
6	20110-12221	GASKET	1
7	20024-12260	NUT	2
8	11022-05300	BOLTSW	2
9	20018-15110	MUFFLER	1
10	20018-15150	GASKETMUFFLER	1
11	01020-05500	BOLT	2
12	01610-05080	WASHER	2
13	01020-05120	BOLT	1

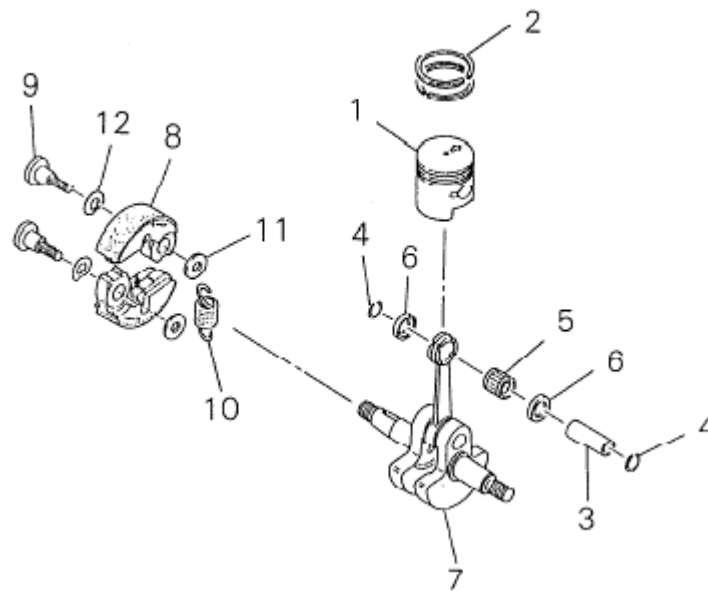
# Fig. 2



Ref. No	Part No.	Part Name	Q`ty
2-	20018-21100	CRANKCASESCOMP	1
1	20018-21111	*CRANKCASES	1
2	12900-60010	*BEARING	1
3	22150-21250	*OILSEAL	1
	20110-21201	CRANKCASEMCOMP	1
4	20018-21122	*CRANKCASEM	1
5	12900-60010	*BEARING	1
6	20000-21211	*OILSEAL	1
7	12492-40080	*ROLLER	4
8	01020-05250	BOLT	3
9	20134-31111	FANCOVER	1
10	02006-06000	BEARING	2
11	02432-26120	SNAPRING	1
12	20110-31130	CUSHION	1
13	20018-31330	CLUTCHDRUM	1
14	22000-13320	SNAPRING	1
15	20018-31410	JOINT	1
16	20018-31420	FRONTCUSHION	1
17	20018-31430	REARCUSHION	1
18	11023-05250	BOLTSPW	1
19	20018-31460	SHIM	1
20	70135-31470	CAP	1
21	11022-05200	BOLTSPW	4

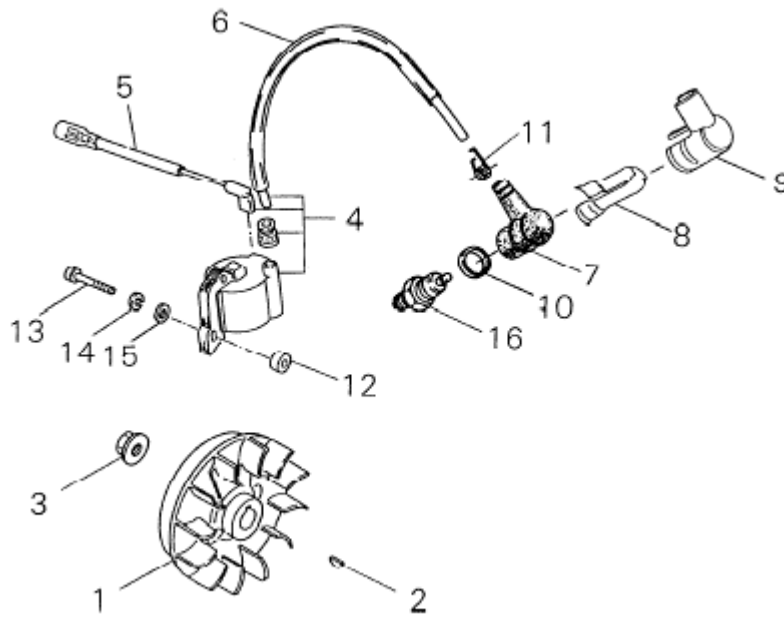
22	11022-05160	BOLTSPW	2
23	11022-05250	BOLTSPW	2
24	20134-32110	CYLINDERCOVER	1
25	70201-32120	LABELTRADE	1
26	20134-32130	PLUG	1
27	70192-31510	EARTHCORD	1
28	20024-83152	CABLEHOLDER	1
29	11022-05160	BOLTSPW	2

Fig. 3



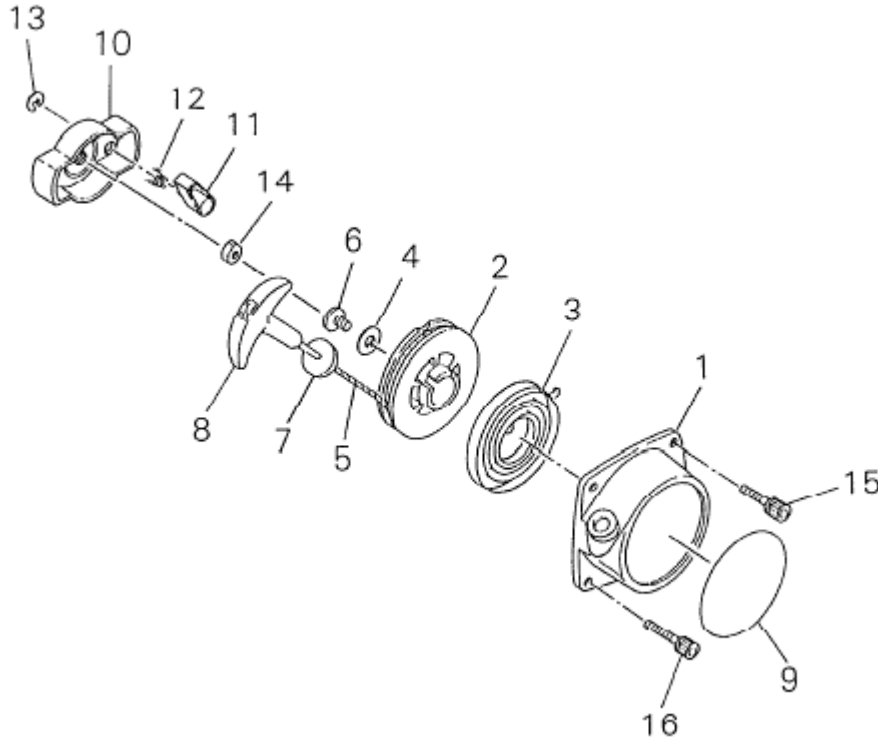
Ref. No	Part No.	Part Name	Q`ty
3- 1	20000-41111	PISTON	1
2	20000-41210	PISTONRING	2
3	20000-41310	PISTONPIN	1
4	20000-41320	SNAPRING	2
5	20000-41330	NEEDLEBEARING	1
6	20000-41341	THRUSTWASHER	2
7	20018-42000	CRANKSHAFTASSY	1
	70140-51102	CLUTCHSHOEASSY	1
8	70140-51111	*CLUTCHSHOE	2
9	20087-51210	*BOLT	2
10	70140-51220	*CLUTCHSPRING	1
11	22100-71430	*WASHER	2
12	20087-51231	*SPRINGPLATE	2

Fig. 4



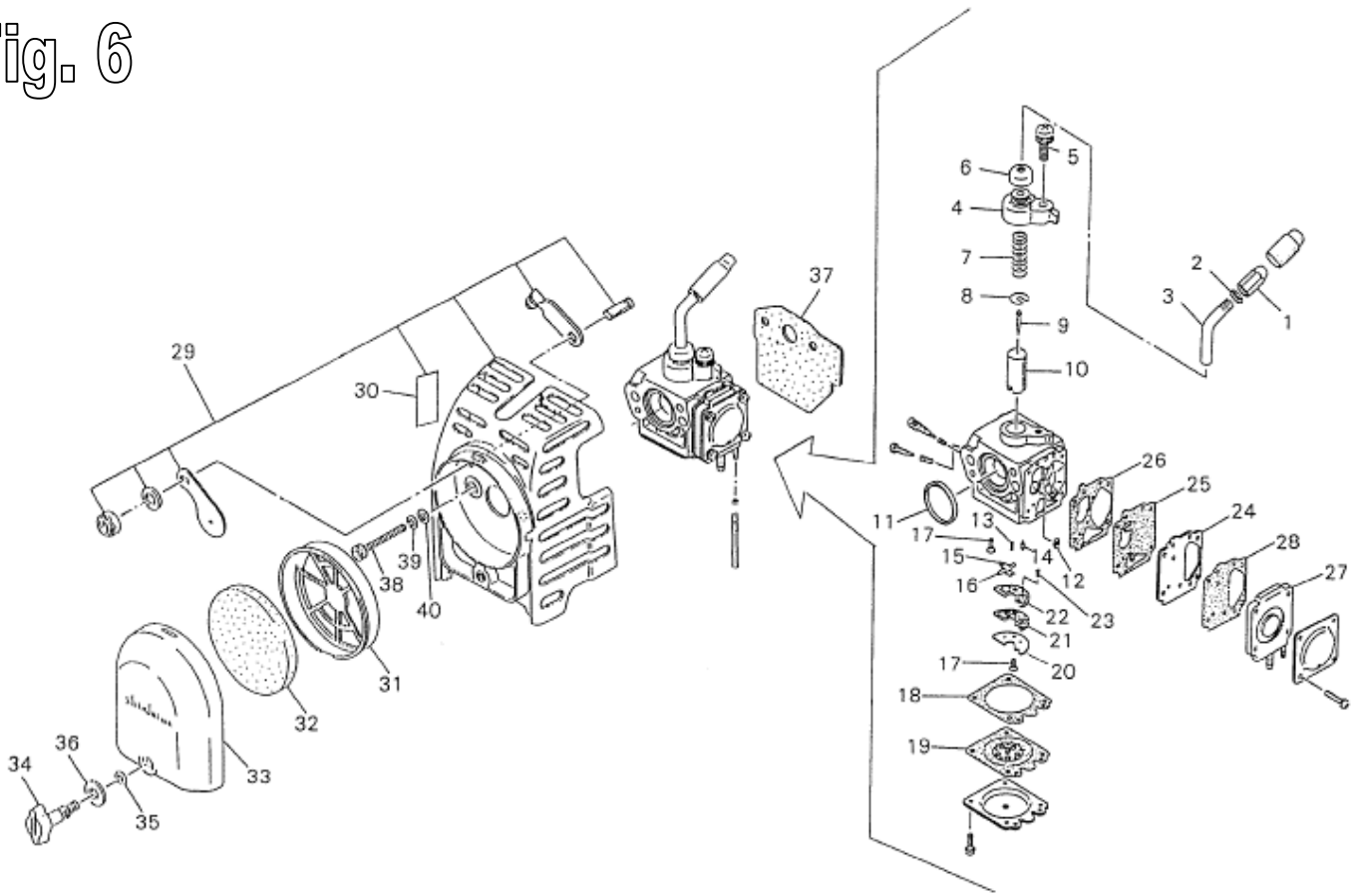
Ref. No	Part No.	Part Name	Q`ty
4- 1	20018-71200	ROTOR	1
2	02403-03100	KEY	1
3	20035-71220	NUT	1
4	20018-71602	COILASSY	1
5	20018-71642	*CORD	1
6	20089-83120	TUBE	1
7	20010-72221	PLUGCAP	1
8	70180-72260	SHIELD	1
9	20000-72241	PLUGCAPCOVER	1
10	20000-72250	COVERBAND	1
11	20000-72230	SPRINGSPARKPLUG	1
12	70030-71620	INSULATOR	2
13	01020-04260	BOLT	2
14	01600-04101	SPRINGWASHER	2
15	01613-04080	WASHER	2
16	13000-13506	SPARKPLUGBPMR6A	1

Fig. 5



Ref. No	Part No.	Part Name	Q`ty
5-	70162-75101	RECOILSTARTERSUBASSY	1
1	70102-75111	*STARTERCASE	1
2	20024-75120	*REEL	1
3	20024-75130	*RECOILSPRING	1
4	20024-75140	*WASHER	1
5	20024-75160	*ROPE	1
6	20035-75170	*SCREW	1
7	20024-75180	*DAMPER	1
8	20024-75190	*STARTERKNOB	1
9	19420-00026	*LABELTRADE	1
	20024-75200	STARTERPULLYSUBASSY	1
10	20024-75210	*STARTERPULLEY	1
11	20024-75220	*RATCHET	1
12	20024-75230	*RETURNSPRING	1
13	20024-75240	*ERING	1
14	20035-43230	NUT	1
15	11022-05200	BOLTSPW	2
16	11022-05250	BOLTSPW	2

# Fig. 6

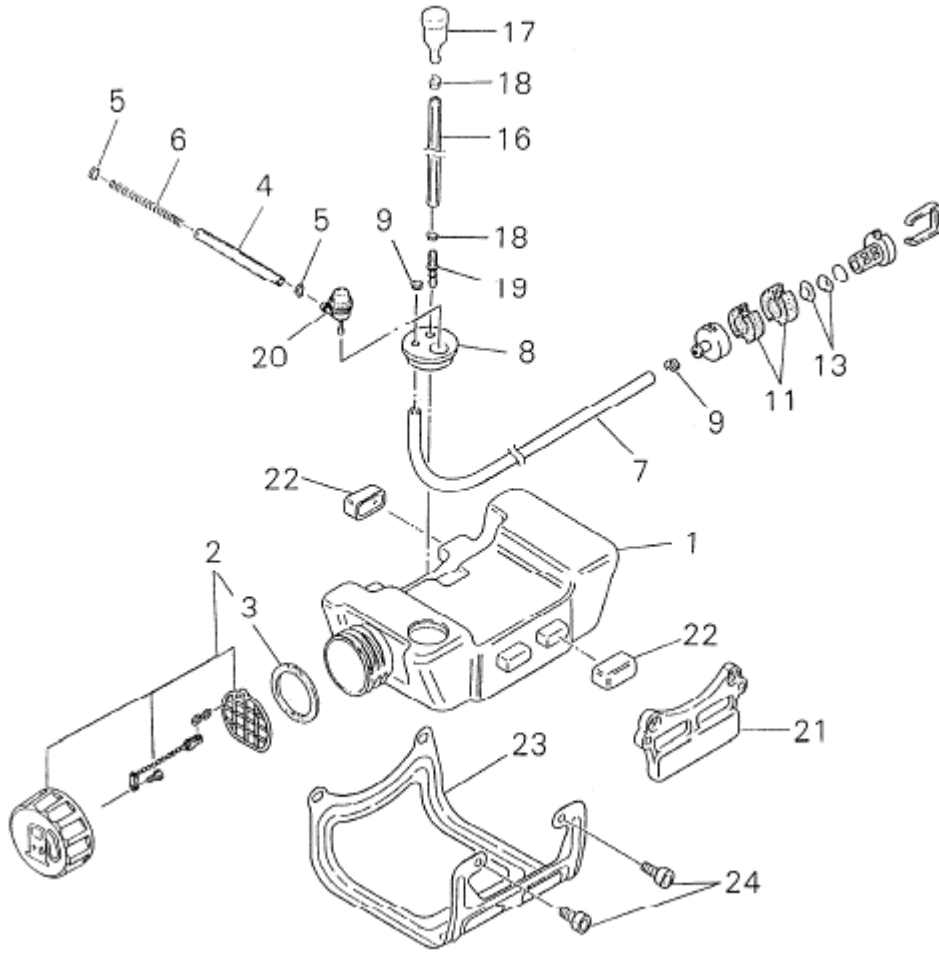


Ref. No	Part No.	Part Name	Q`ty
6-	70223-81020	CARBURETORSUBASSY	1
1	20055-81810	*CABLEADJUSTER	1
2	20000-81260	*LOCKNUT	1
3	70107-81830	*ADJUSTPIPE	1
4	20019-81111	*BODYTOPCOMP	1
5	20019-81120	*SCREW	1
6	20055-81130	*CAP	1
7	20003-81140	*THROTTLESPRING	1
8	20000-81150	*SPRINGRECEIVE	1
9	20019-81172	*JETNEEDLE	1
10	20019-81182	*THROTTLEVALVE	1
11	20019-81280	*RINGGASKET	1
12	20019-81290	*SCREEN	1
13	20040-81430	*SPRING	1
14	20019-81440	*NEEDLEVALVE	1
15	20019-81450	*CONTROLLEVER	1
16	20011-81460	*PIN	1
17	20011-81470	*SCREW	2
18	20019-81510	*GASKET	1
19	20019-81520	*DIAPHRAGMASSY	1
20	20019-81560	*PLATE	1
21	20019-81570	*CHECKVALVE	1
22	20019-81580	*GASKET	1
23	20011-81680	*SPRING	1



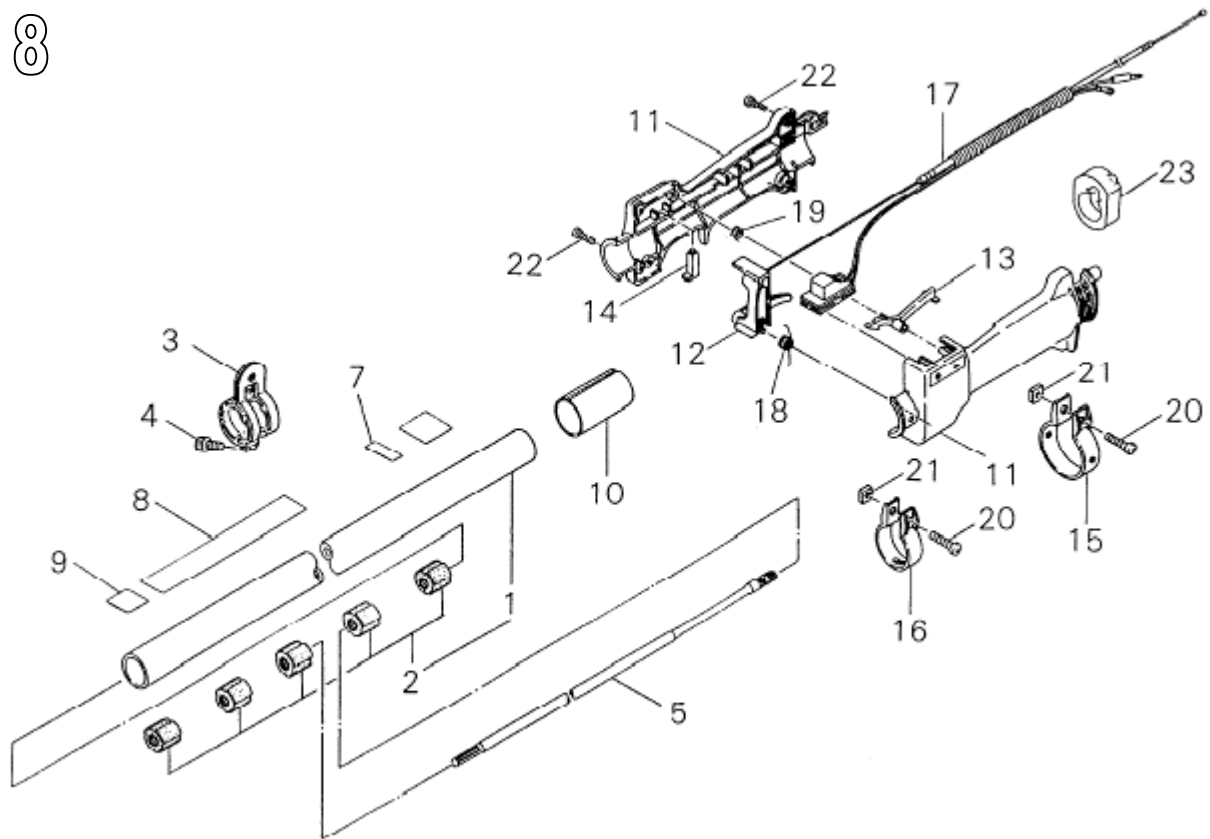
24	20019-81610	*PUMPPLATE	1
25	20019-81620	*DIAPHRAGMPUMP	1
26	20019-81630	*GASKET	1
27	20019-81641	*PUMPCOVER	1
28	20019-81660	*GASKET	1
29	20134-82100	CLEANERBODYCOMP	1
30	19404-00008	*LABELCHOKE	1
31	62028-82310	NET	1
32	20000-81740	FILTER	1
33	20024-81770	CLEANERCOVER	1
34	20115-81780	KNOBCLEANERCOVER	1
35	22100-82430	ORING	1
36	20024-81790	CONEWASHER	1
37	20110-83431	GASKET	1
38	01020-05600	BOLT	2
39	01600-05131	SPRINGWASHER	2
40	01610-05080	WASHER	2

Fig. 7



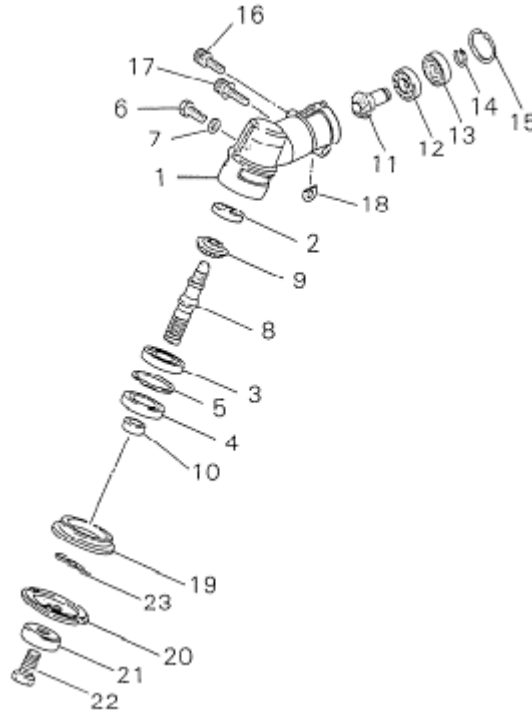
Ref. No	Part No.	Part Name	Q`ty
7- 1	20018-85113	FUELTANK	1
2	70168-85201	FUELCAPASSY	1
3	20000-85221	*GASKET	1
4	20018-83311	PIPE	1
5	20020-85540	CLIP	2
6	20019-83320	SPRING	1
7	20110-85320	FUELPIPE	1
8	20019-85351	GROMMET	1
9	20020-85540	CLIP	2
	22115-85401	FUELFILTERSUBASSY	1
11	22128-85421	*FILTER	2
13	22118-85460	*SCREEN	2
16	20110-83311	PIPE	1
17	20035-85522	VALVE	1
18	20020-85540	CLIP	2
19	72933-85620	JOINT	1
20	20019-85600	PUMPCOMP	1
21	20018-86112	TANKHOLDER	1
22	20018-86120	TANKCUSHION	4
23	70135-86130	TANKGUARD	1
24	11022-05120	BOLTSPW	2

Fig. 8



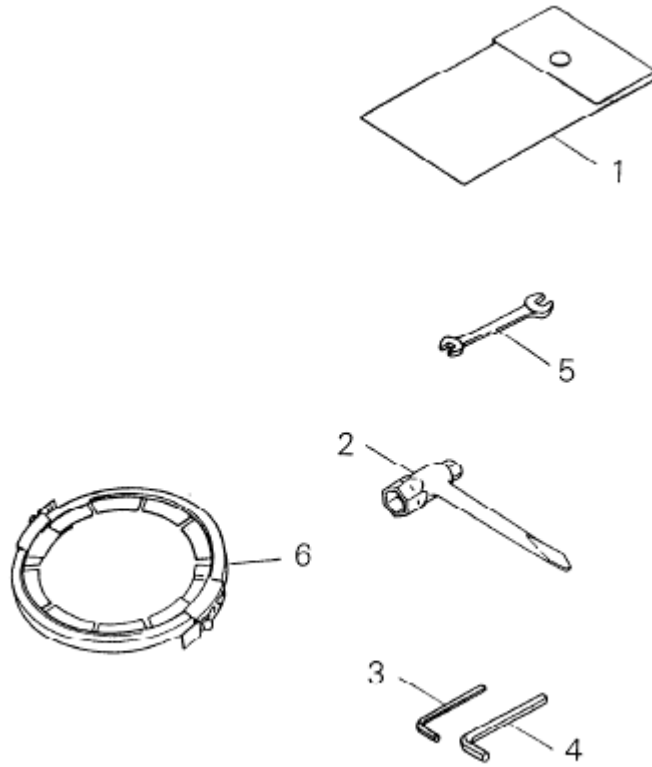
Ref. No	Part No.	Part Name	Q`ty
8- 1	22420-12100	OUTERPIPECOMP	1
2	22420-12120	*BUSH	5
3	22420-12210	HANGER	1
4	01020-05120	BOLT	1
5	22000-12413	MAINSHAFT	1
7	72017-12150	HANDLELABEL	1
8	19422-00010	LABELCAUTION	1
9	19402-00223	LABELCAUTION	1
10	22036-14130	SPACER	1
	72511-12702	THROTTLELEVERASSY	1
11	72511-12800	*BODYSUBASSY	1
12	72430-12730	*LEVER	1
13	72430-12740	*LOCKLEVER	1
14	72451-14550	*BUTTON	1
15	72451-14560	*CLAMP	1
16	72430-12750	*CLAMP	1
17	72511-12762	*THROTTLECABLECOMP	1
18	72451-14580	*RETURNSPRING	1
19	72451-14590	*SPRING	1
20	11203-06200	*SCREW	2
21	72451-14610	*NUT	2
22	72451-14620	*SCREWTAPPING	4
23	72511-12190	HOLDER	1

Fig. 9



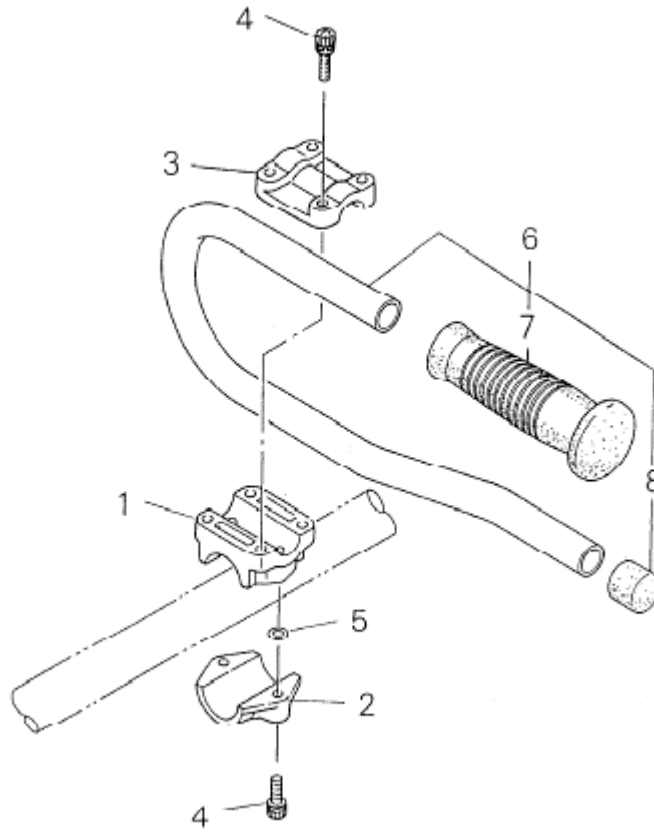
Ref. No	Part No.	Part Name	Q`ty
9-	22495-13010	GEARCASESUBASSY	1
1	22420-13110	*GEARCASE	1
2	02036-00608	*BEARING	1
3	02000-06001	*BEARING	1
4	22420-13140	*OILSEAL	1
5	02432-28120	*SNAPRING	1
6	01014-06100	*BOLT	1
7	01610-06080	*WASHER	1
8	22495-13210	*GEARSHAFT	1
9	22495-13220	*BEVELGEAR	1
10	22000-13230	*COLLAR	1
11	22420-13310	*BEVELPINIONCOMP	1
12	02000-00609	*BEARING	1
13	02002-00609	*BEARING	1
14	22420-13350	*SNAPRING	1
15	02432-24120	*SNAPRING	1
16	11022-05160	*BOLTSPW	1
17	11023-05250	*BOLT SW	1
18	22000-13420	*SHIM	1
19	22420-13510	HOLDERA	1
20	22000-13252	HOLDERB	1
21	22000-13290	BOLTGUARD	1
22	22000-13512	BOLT	1
23	22000-13530	SLIDEPIN	1

Fig. 10



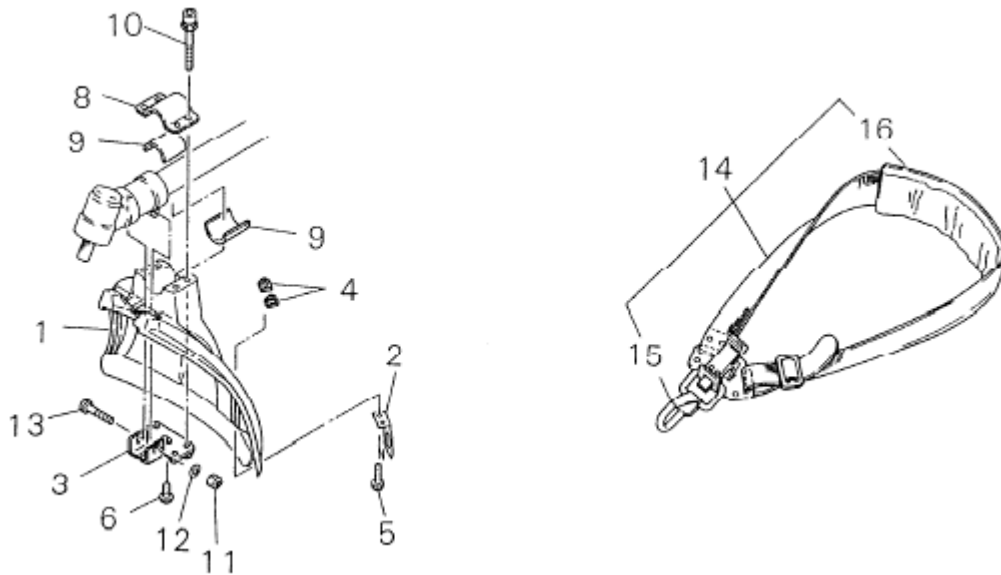
Ref. No	Part No.	Part Name	Q`ty
10-	22420-91000	TOOLSET	1
1	19610-02100	*TOOLBAG	1
2	22000-91181	*PLUGWRENCH	1
3	09026-03001	*HEXAWRENCH	1
4	09026-04001	*HEXAWRENCH	1
5	22000-91120	*SPANNER	1
6	19601-00300	BLADECOVER	1

Fig. 11



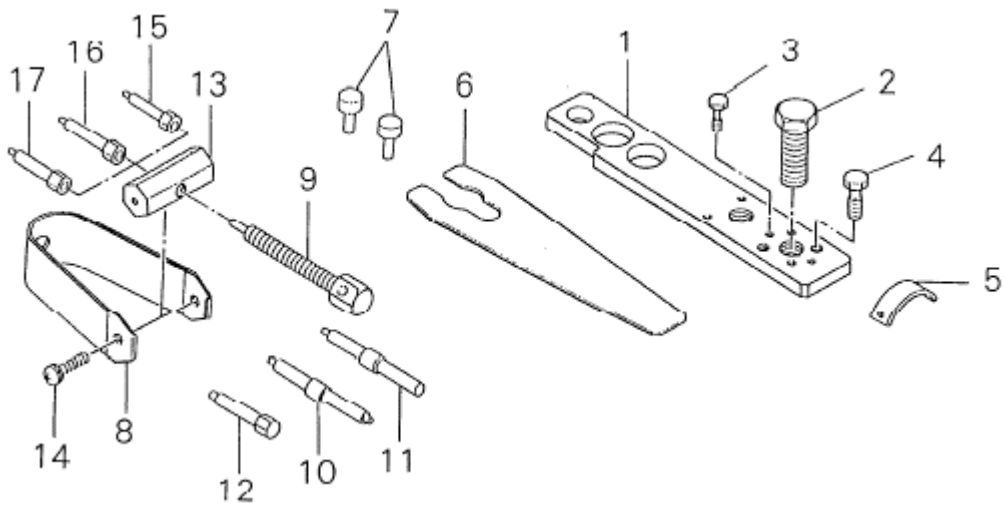
Ref. No	Part No.	Part Name	Q`ty
11-	72091-14100	BRACKETSUBASSY	1
1	72051-14110	*HANDLEBRACKET	1
2	72051-14120	*LOWERCAP	1
3	72051-14131	*UPPERCAP	1
4	11022-05250	*BOLTSPW	6
5	01610-05080	*WASHER	1
6	72430-14200	HANDLESUBASSY	1
7	22421-14230	*GRIP	1
8	72430-14270	*CAP	1

Fig. 12



Ref. No	Part No.	Part Name	Q`ty
12- 1	72480-16113	GUARD	1
2	72480-16121	CUTTER	1
3	72480-16130	LOWERCLAMP	1
4	22420-16120	NUT	2
5	11020-05160	BOLT SW	2
6	11202-40100	SCREWHILO4X10	1
8	72480-16210	UPPERCLAMP	1
9	72480-16220	SPACER	2
10	11022-05500	BOLTSPW	4
11	01500-05041	NUT	1
12	01613-05080	WASHER	1
13	11022-05350	BOLTSPW	1
14	22421-17202	STRAPASSY	1
15	22421-17130	*HOOK	1
16	22007-17220	*PROTECTOR	1

Fig. 14



Ref. No	Part No.	Part Name	Q`ty
13-	20000-96104	PULLERASSY	1
1	20000-96114	*LEVER	1
2	22100-96121	*CENTERBOLT	1
3	20000-96130	*BOLT	3
4	20000-96140	*BOLT	2
5	20000-96210	AIRGAPGAUGE	1
6	20000-96411	ROTORSPANNER	1
7	20021-96420	STOPPER	2
	20021-96601	PULLERASSY	1
8	20021-96611	*PULLER	1
9	20021-96621	*BOLT	1
10	20000-96631	*GUIDEPIN	1
11	20035-96630	*GUIDEPIN	1
12	20021-96630	*GUIDEPIN	1
13	20000-96640	*BOSS	1
14	01211-06120	*SCREWSW	2
15	20021-96650	*PINADAPTER	1
16	20021-96660	*PINADAPTER	1
17	20021-96670	*PINADAPTER	1