

shindaiwa

PARTS PRICE LIST

T 2 6 0

Shindaiwa Corporation

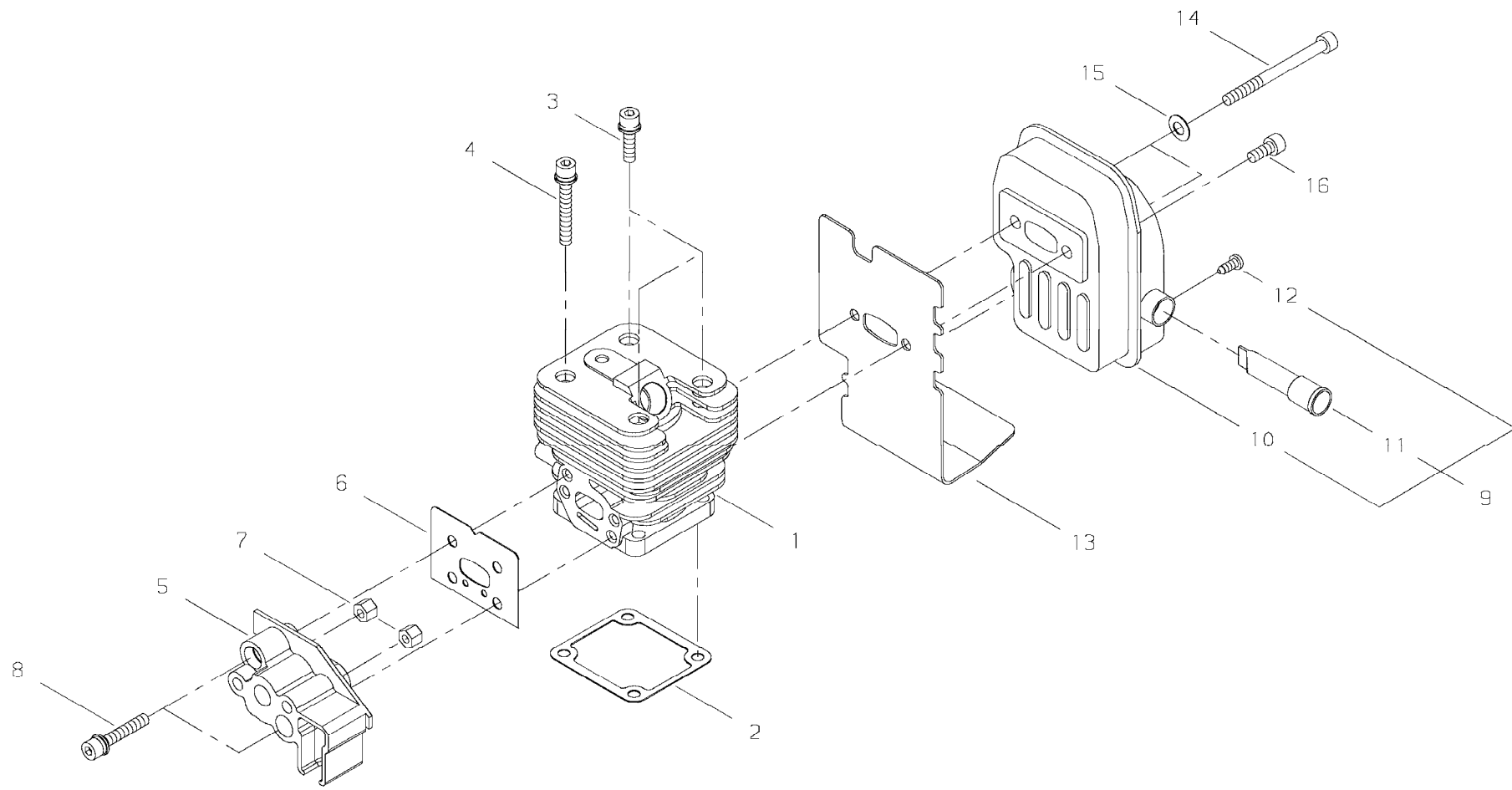
6-2-11, Ozuka-Nishi, Asaminami-ku, Hiroshima, 731-3167, Japan

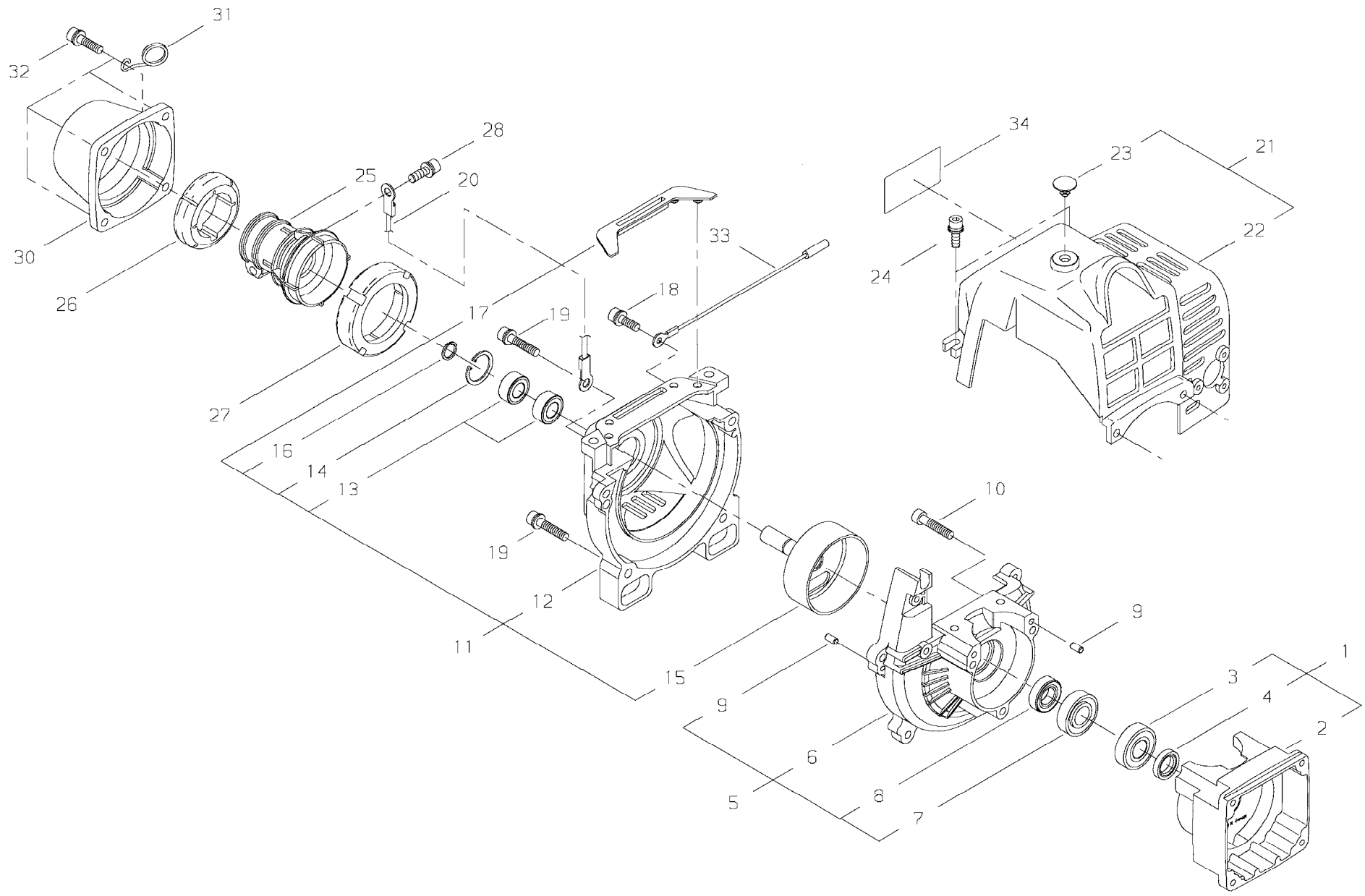
Telephone (082) 849-2005 Fax (082) 849-2481

T 2 6 0 / E C 1

M A R . 2 , 2 0 0 9

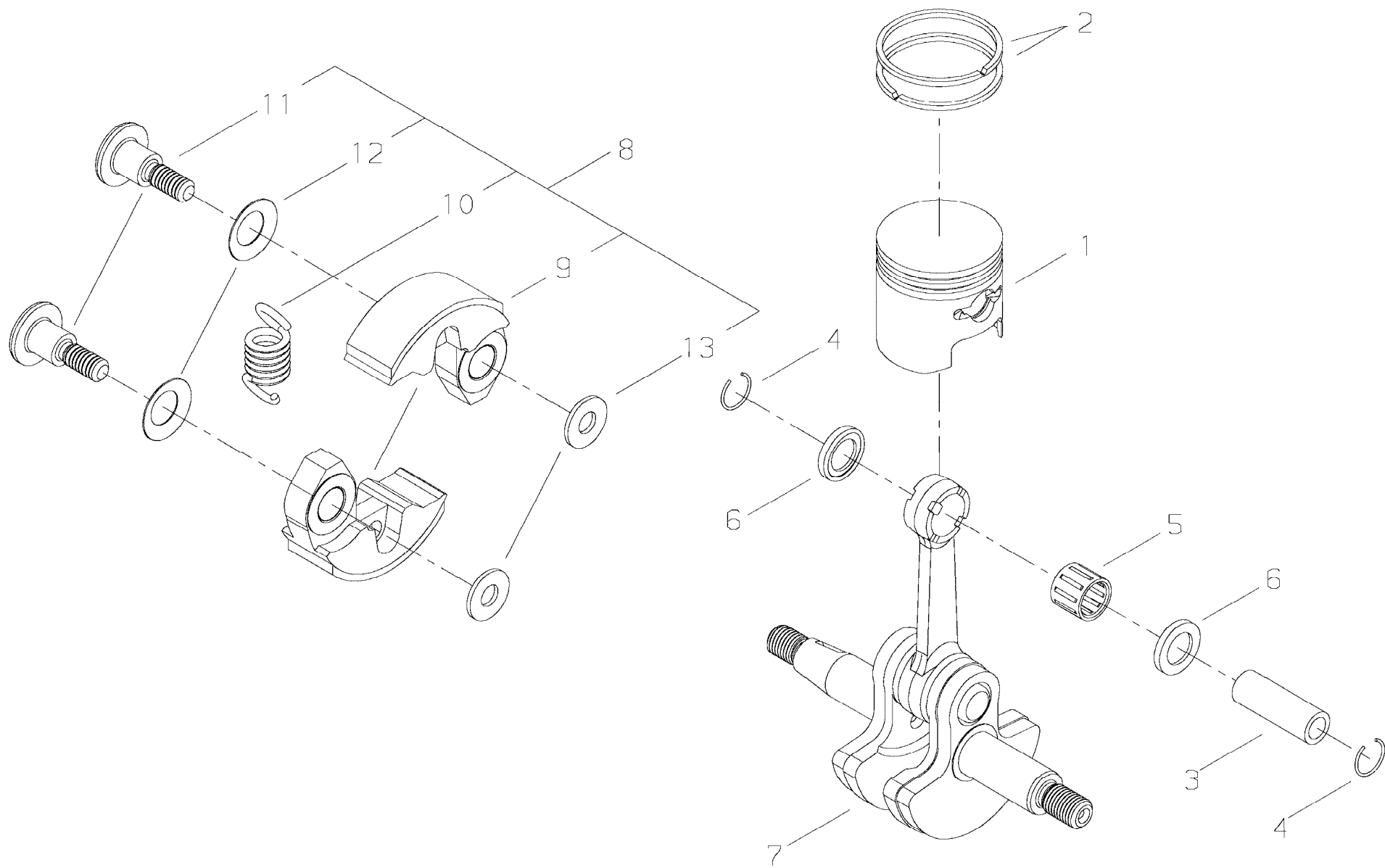
P r i n t e d i n J a p a n

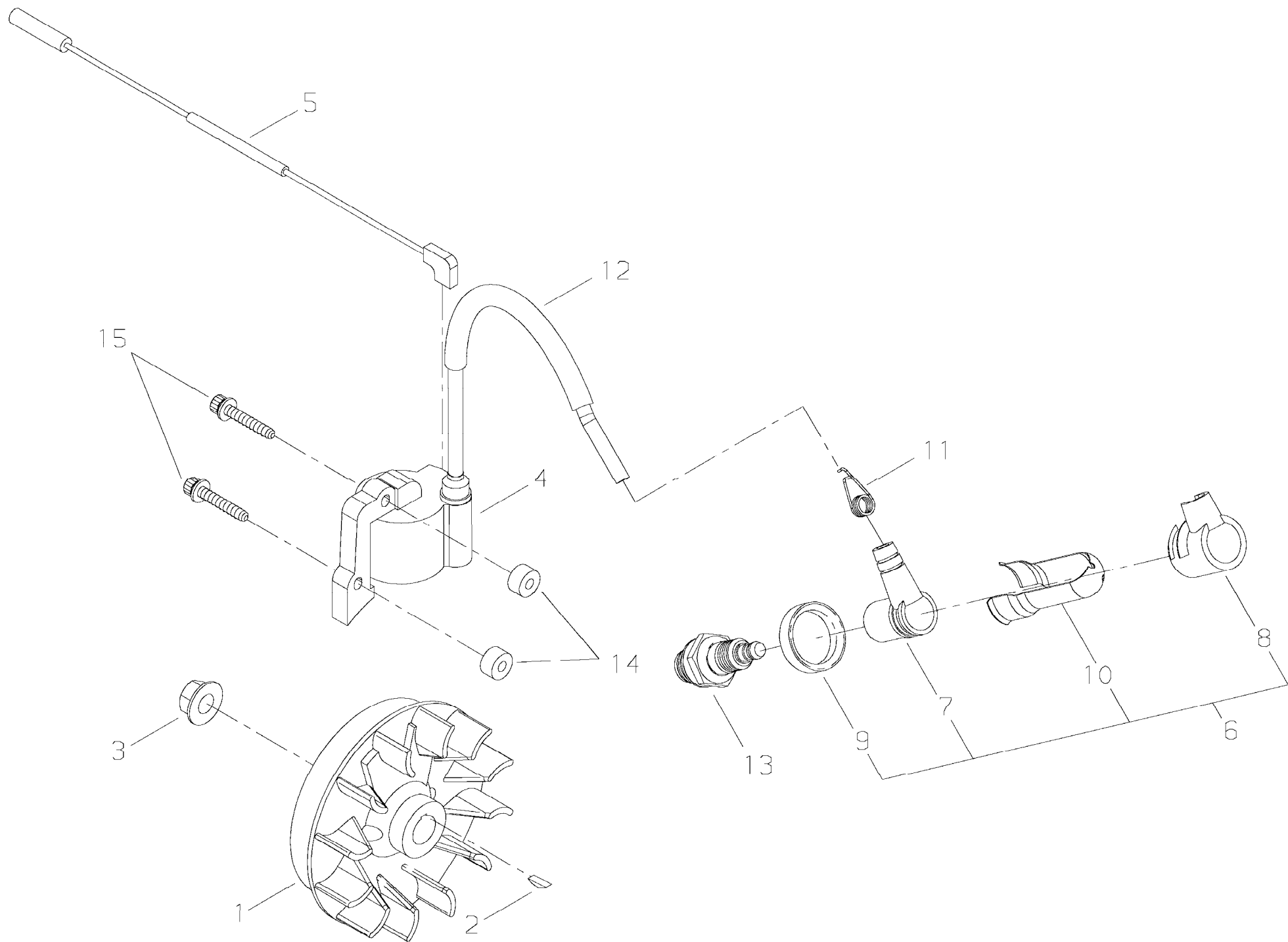


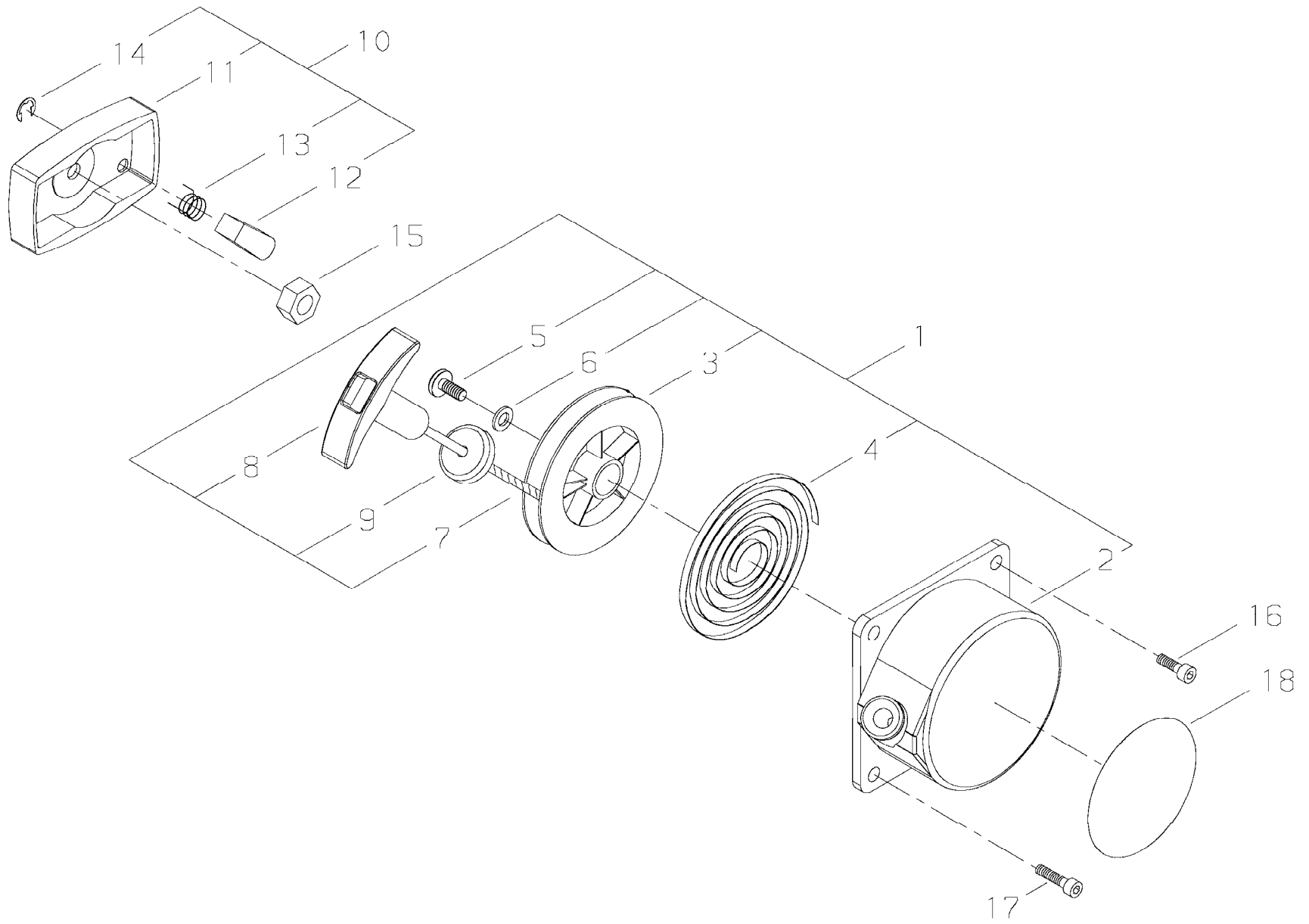


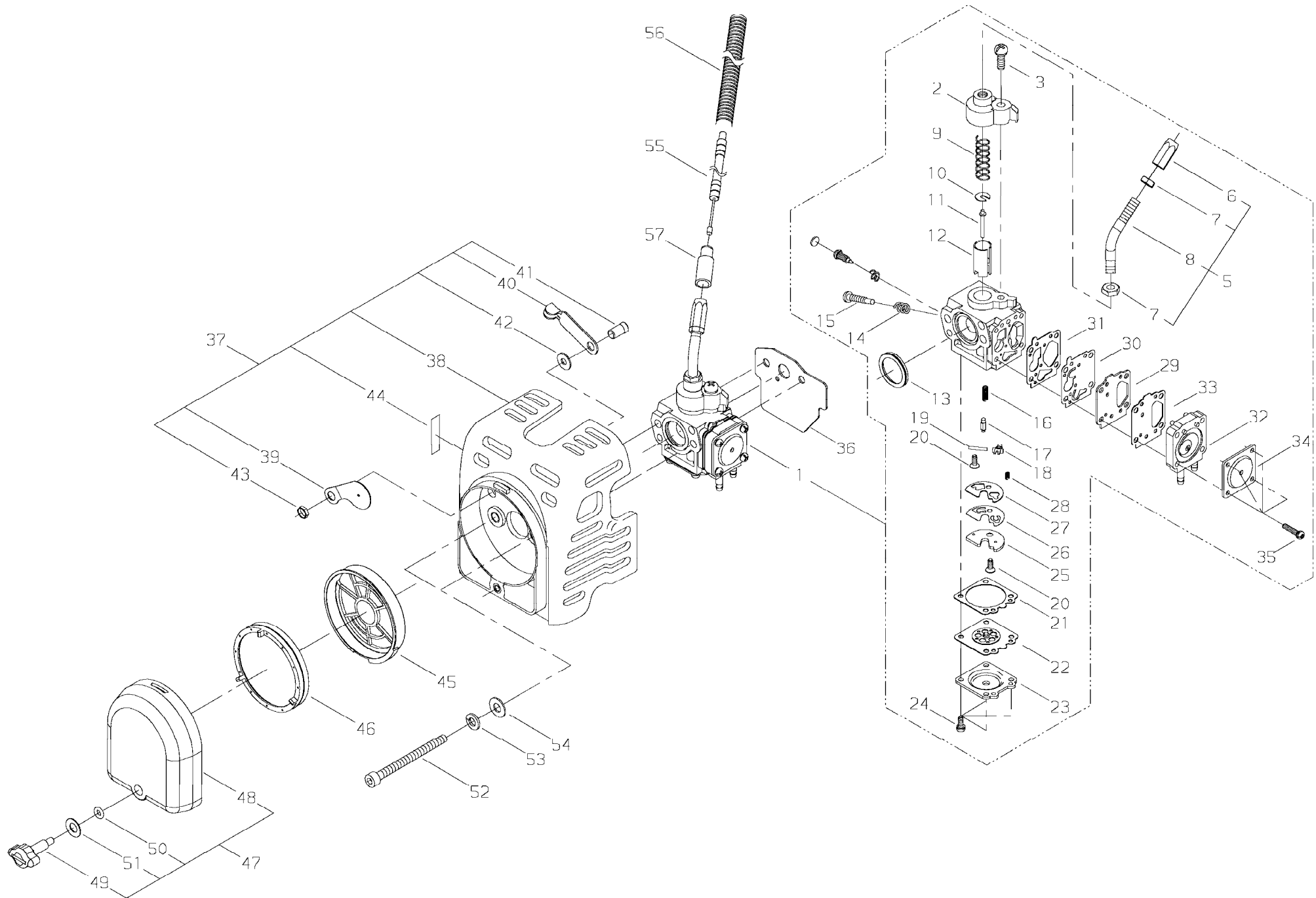
PRICE:(\$)

Ref. No.	Part No.	Part Name	Q`ty	Unit Price(\$)	Remarks
2-1	20018-21100	CRANKCASE,S COMP	1		
2	20018-21111	*CRANKCASE,S	1		
3	12900-60010	*BALL BEARING	1		6001
4	22150-21250	*OIL SEAL	1		
5	20110-21201	CRANKCASE,M COMP	1		
6	20018-21122	*CRANKCASE,M	1		
7	12900-60010	*BALL BEARING	1		6001
8	20000-21211	*OIL SEAL	1		
9	12492-40080	*ROLLER	4		
10	01020-05250	BOLT	3		M5*25
11	62011-31011	FAN COVER COMP	1		
12	20134-31111	*FAN COVER	1		
13	02006-06000	*BALL BEARING	2		6000DDU
14	02432-26120	*SNAP RING	1		26mm
15	20018-31330	*CLUTCH DRUM	1		
16	22000-13320	*SNAP RING	1		
17	20110-31130	*CUSHION	1		
18	11022-05160	BOLT-SPW	2		M5*16
19	11022-05300	BOLT-SPW	2		
20	70192-31510	EARTH CORD	1		
21	62011-32010	CYLINDER COVER COMP	1		
22	20134-32110	*CYLINDER COVER	1		
23	20134-32130	*PLUG	1		
24	11022-05160	BOLT-SPW	2		M5*16
25	20018-31411	JOINT	1		
26	20018-31420	FRONT CUSHION	1		
27	20018-31430	REAR CUSHION	1		
28	11023-05250	BOLT-DW	1		M5*25
29					
30	70135-31470	CAP	1		
31	20024-83152	CABLE HOLDER	1		
32	11022-05200	BOLT-SPW	4		M5*20(SW,PW)
33	70201-83130	CORD	1		
34	70201-32120	LABEL,TRADE	1		









PRICE:(\$)

Ref. No.	Part No.	Part Name	Q`ty	Unit Price(\$)	Remarks
6-1	70144-81021	CARBURETOR ASSY	1		
2	70144-81340	*BODY TOP COMP	1		
3	20019-81120	*SCREW	1		M5×15
4					
5	70144-81320	*ELBOW ASSY	1		
6	20055-81810	**CABLE ADJUSTER	1		
7	20000-81260	**NUT	2		
8	70144-81330	**ELBOW	1		
9	20003-81140	*SPRING	1		
10	20000-81150	*SPRING RECEIVE	1		
11	70144-81170	*JET NEEDLE	1		
12	20019-81182	*THROTTLE VALVE	1		
13	20019-81280	*RING GASKET	1		
14	72920-81820	*SPRING	1		
15	20019-81310	*SLOW STOP SCREW	1		
16	20040-81430	*SPRING	1		
17	20019-81440	*NEEDLE VALVE	1		
18	20019-81450	*CONTROL LEVER	1		
19	20011-81460	*PIN	1		
20	20011-81470	*SCREW	2		M3×8
21	20019-81510	*GASKET	1		
22	20019-81520	*DIAPHRAGM ASSY	1		
23	20019-81530	*COVER,DIAPHRAGM	1		
24	20000-81540	*SCREW	4		M3×8
25	20019-81560	*PLATE	1		
26	20019-81570	*CHECK VALVE	1		
27	20019-81580	*GASKET	1		
28	20011-81680	*SPRING	1		
29	20019-81610	*PUMP PLATE	1		
30	20019-81620	*DIAPHRAGM,PUMP	1		
31	20019-81630	*GASKET	1		
32	20019-81641	*PUMP COVER	1		
33	20019-81660	*GASKET	1		
34	20019-81670	*COVER,DIAPHRAGM	1		
35	20019-81680	*SCREW	4		M3×14
36	20110-83431	GASKET	1		
37	20134-82100	CLEANER BODY COMP	1		
38	20134-81711	*CLEANER BODY	1		

