

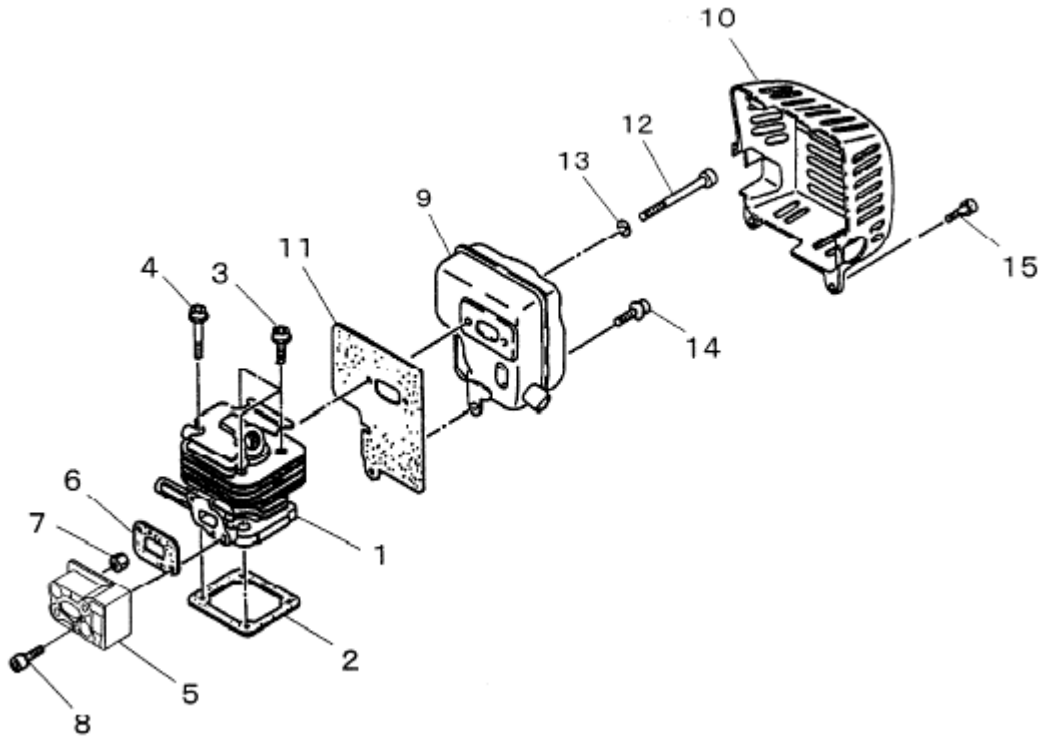
shindaiwa

Decespuigliator

T 300

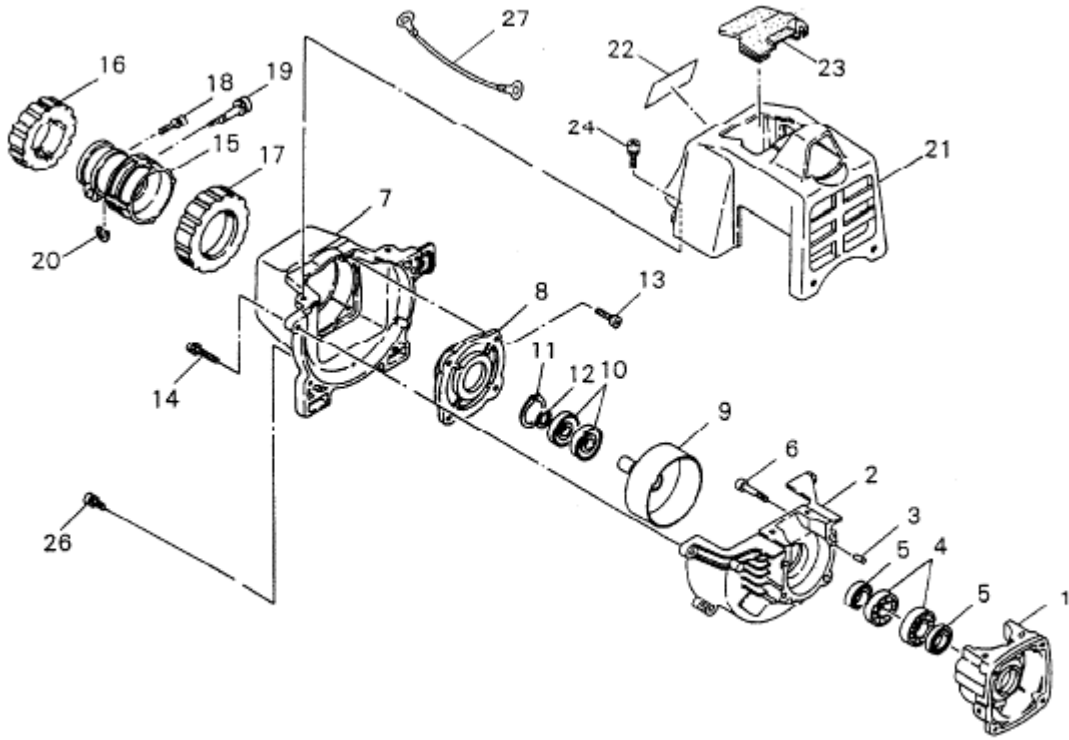
Motore da matr. 3008901

Fig. 1



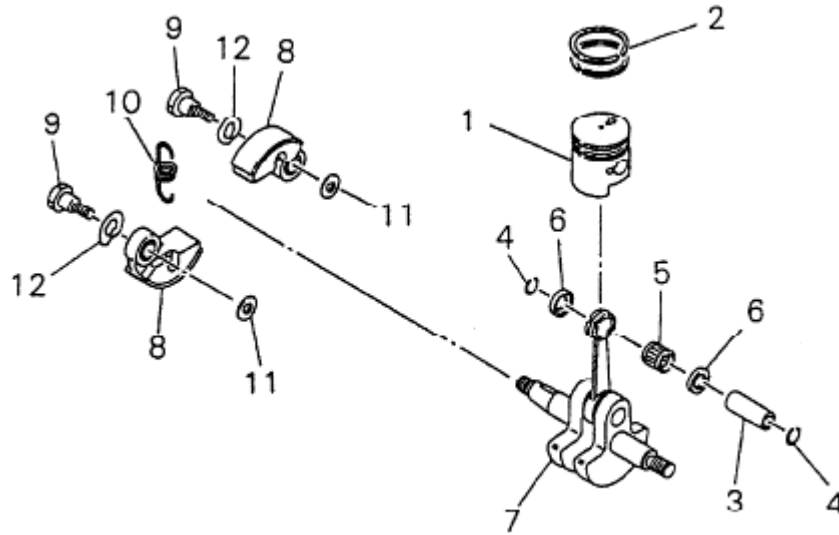
Ref. No	Part No.	Part Name	Q`ty
1- 1	20024-12110	CYLINDER	1
2	20024-12120	GASKETCYLINDER	1
3	11020-05160	BOLT SW	3
4	11020-05300	BOLT SW	1
5	70244-12210	INSULATOR	1
6	20024-12220	GASKETINSULATOR	1
7	20024-12260	NUT	2
8	11022-05200	BOLT SPW	2
9	20024-15116	MUFFLER	1
10	70102-15180	MUFFLERGUARD	1
11	20024-15210	GASKETMUFFLER	1
12	01020-05550	BOLT	2
13	01610-05080	WASHER	2
14	11022-05120	BOLT SPW	1
15	11022-05160	BOLT SPW	2

Fig. 2



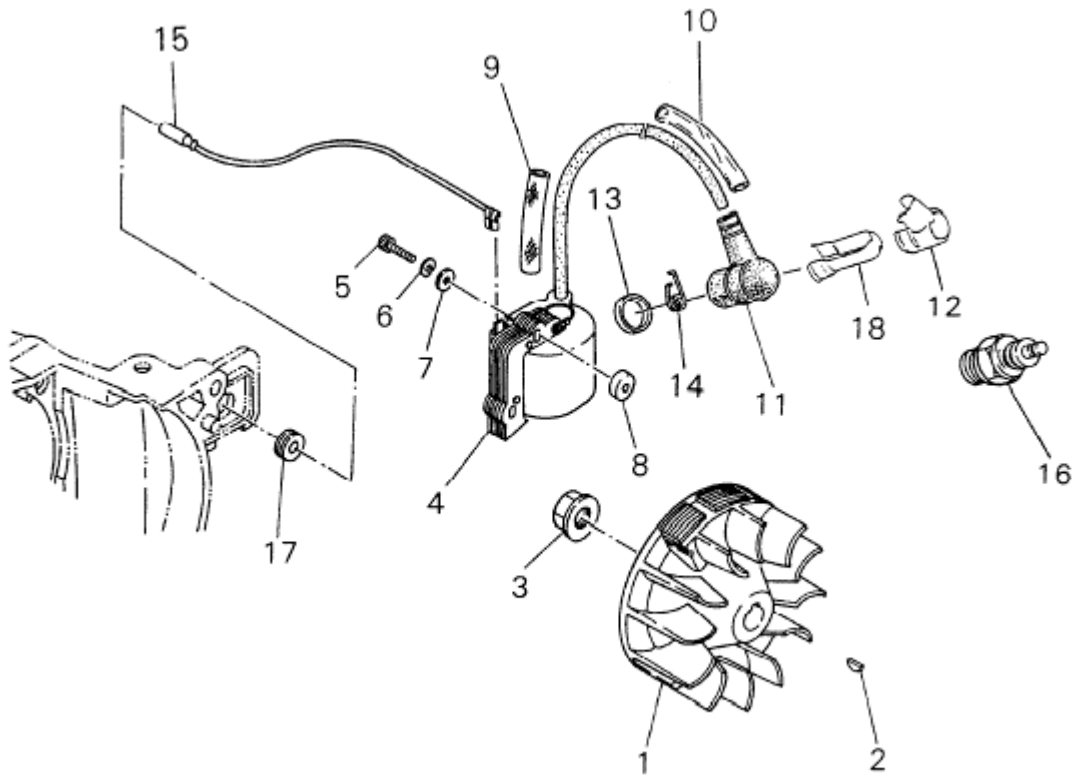
Ref. No	Part No.	Part Name	Q`ty
2-	20024-21000	CRANKCASEASSY	1
1	20024-21110	*CRANKCASES	1
2	20024-21120	*CRANKCASEM	1
3	12492-50100	*ROLLER	2
4	02030-06201	*BEARING	2
5	20000-21211	*OILSEAL	2
6	01020-05250	*BOLT	4
7	70102-31110	FANCOVER	1
8	20024-31130	CLUTCHCASE	1
9	20024-31151	CLUTCHDRUM	1
10	02036-06001	BEARING	2
11	02432-28120	SNAPRING	1
12	20000-31140	SNAPRING	1
13	11022-05160	BOLTSPW	4
14	11020-05180	BOLT SW	2
15	20024-31410	JOINT	1
16	20024-31421	FRONTCUSHION	1
17	20024-31431	REARCUSHION	1
18	11022-05160	BOLTSPW	1
19	11022-06280	BOLTSPW	1
20	20024-31460	SHIM	1
21	70102-31211	CYLINDERCOVER	1
22	62000-91020	LABELTRADE	1
23	20024-31231	DUSTCAP	1
24	11022-05160	BOLTSPW	2
26	11022-05200	BOLTSPW	2
27	70192-31510	EARTHCORD	1

Fig. 3



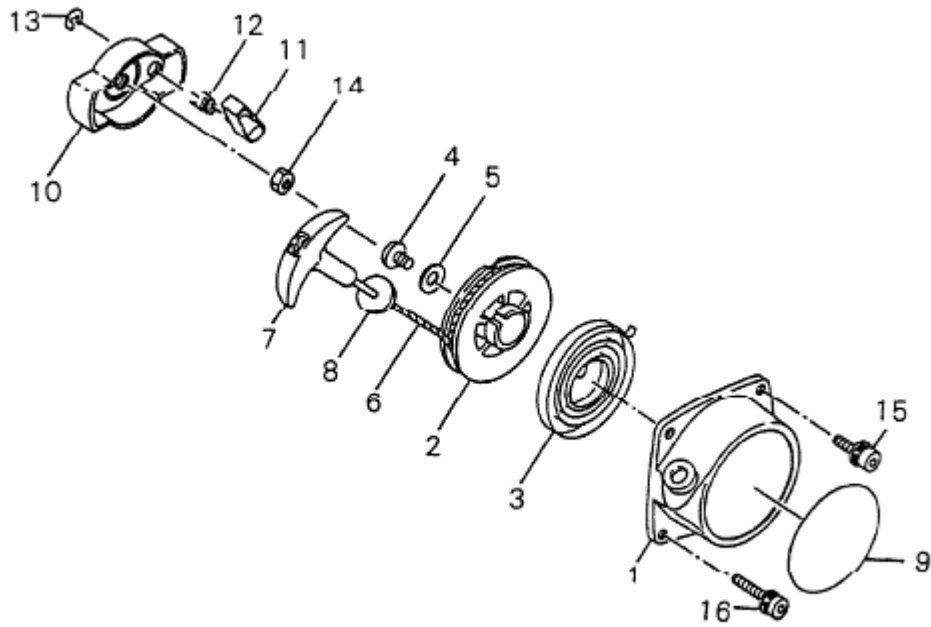
Ref. No	Part No.	Part Name	Q`ty
3- 1	20024-41110	PISTON	1
2	20024-41210	PISTONRING	2
3	20024-41311	PISTONPIN	1
4	20000-41320	SNAPRING	2
5	20000-41330	NEEDLEBEARING	1
6	37019-41240	THRUSTWASHER	2
7	20024-42001	CRANKSHAFTASSY	1
	70102-51100	CLUTCHSHOEASSY	1
8	70102-51111	*CLUTCHSHOE	2
9	20024-51210	*CLUTCHBOLT	2
10	70102-51221	*SPRING	1
11	22100-71430	*WASHER	2
12	20087-51231	*SPRINGPLATE	2

Fig. 4



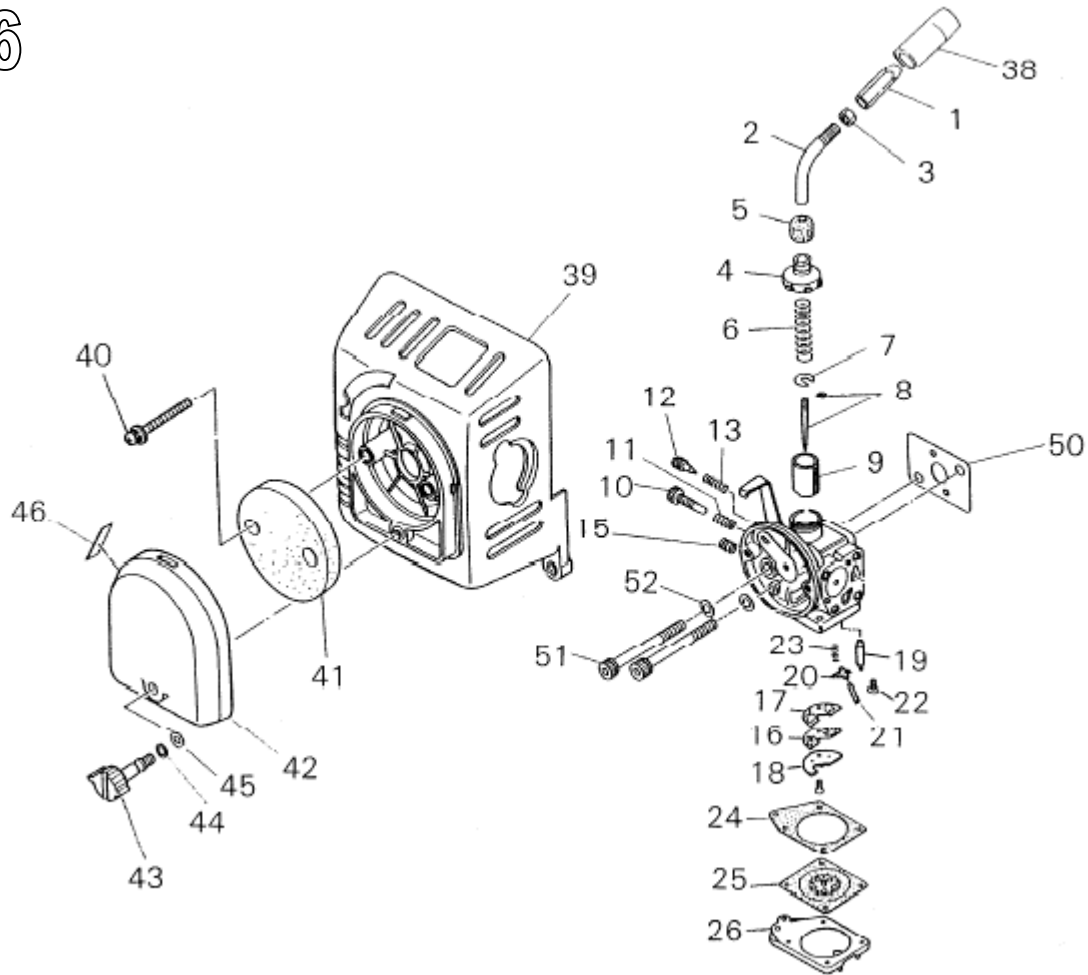
Ref. No	Part No.	Part Name	Q`ty
4- 1	20024-71201	ROTOR	1
2	02403-03100	KEY	1
3	20035-71220	NUT	1
4	20024-71610	COIL	1
5	01020-04300	BOLT	2
6	01600-04101	SPRINGWASHER	2
7	01613-04080	WASHER	2
8	70030-71620	INSULATOR	2
9	20024-72112	TUBE	1
10	70168-71660	TUBE	1
11	20010-72221	PLUGCAP	1
12	20000-72241	PLUGCAPCOVER	1
13	20000-72250	COVERBAND	1
14	20000-72230	SPRINGSARKPLUG	1
15	70102-74130	CORD	1
16	13000-13506	SPARKPLUGBPMR6A	1
17	70105-31520	GROMMET	1
18	70180-72260	SHIELD	1

Fig. 5



Ref. No	Part No.	Part Name	Q`ty
5-	70102-75101	RECOILSTARTERSUBASSY	1
1	70102-75111	*STARTERCASE	1
2	20024-75120	*REEL	1
3	20024-75130	*RECOILSPRING	1
4	20035-75170	*SCREW	1
5	20024-75140	*WASHER	1
6	20024-75160	*ROPE	1
7	20024-75190	*STARTERKNOB	1
8	20024-75180	*DAMPER	1
9	70005-75240	*NAMEPLATE	1
	20024-75200	STARTERPULLYSUBASSY	1
10	20024-75210	*STARTERPULLEY	1
11	20024-75220	*RATCHET	1
12	20024-75230	*RETURNSPRING	1
13	20024-75240	*ERING	1
14	20035-43230	NUT	1
15	11022-05160	BOLTSPW	2
16	11022-05250	BOLTSPW	2

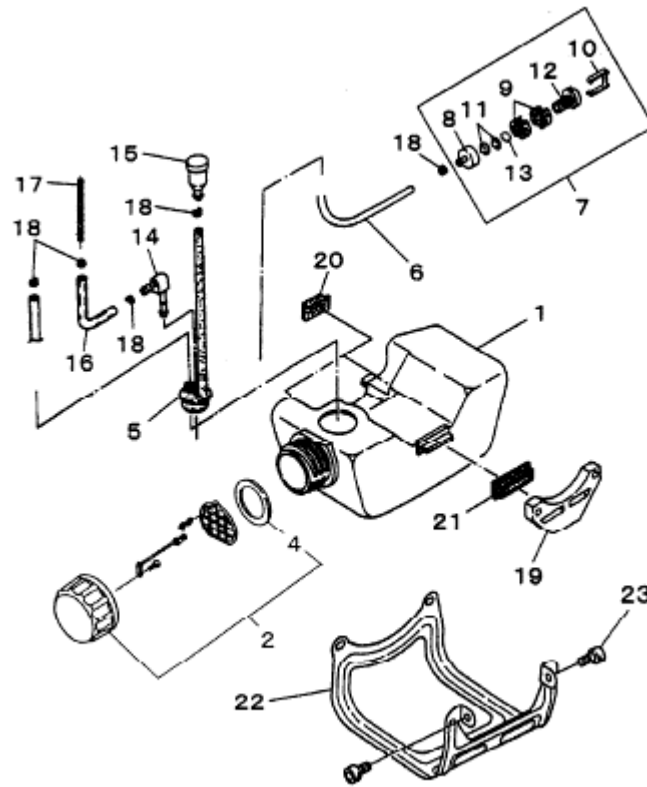
Fig. 6



Ref. No	Part No.	Part Name	Q`ty
6-	62000-81010	CARBURETORASSY	1
1	20055-81810	*CABLEADJUSTER	1
2	70107-81830	*ADJUSTPIPE	1
3	20000-81260	*LOCKNUT	1
4	20055-81120	*BODYCAP	1
5	20055-81130	*CAP	1
6	20003-81140	*THROTTLESRING	1
7	20000-81150	*SPRINGRECEIVE	1
8	20056-81210	*JETNEEDLE	1
9	70170-81180	*THROTTLEVALVE	1
10	20000-81310	*SLOWSTOPSCREW	1
11	72920-81820	*SPRING	1
12	20000-81330	*SLOWAIRSCREW	1
13	20000-81340	*SPRING	1
15	20011-81360	*SPRING	1
16	20087-81411	*CHECKVALVE	1
17	20087-81420	*PACKING	1
18	20087-81430	*PLATE	1
19	20000-81441	*NEEDLEVALVE	1
20	20019-81450	*CONTROLLEVER	1
21	20011-81460	*PIN	1
22	20011-81470	*SCREW	2
23	20087-81480	*SPRING	1

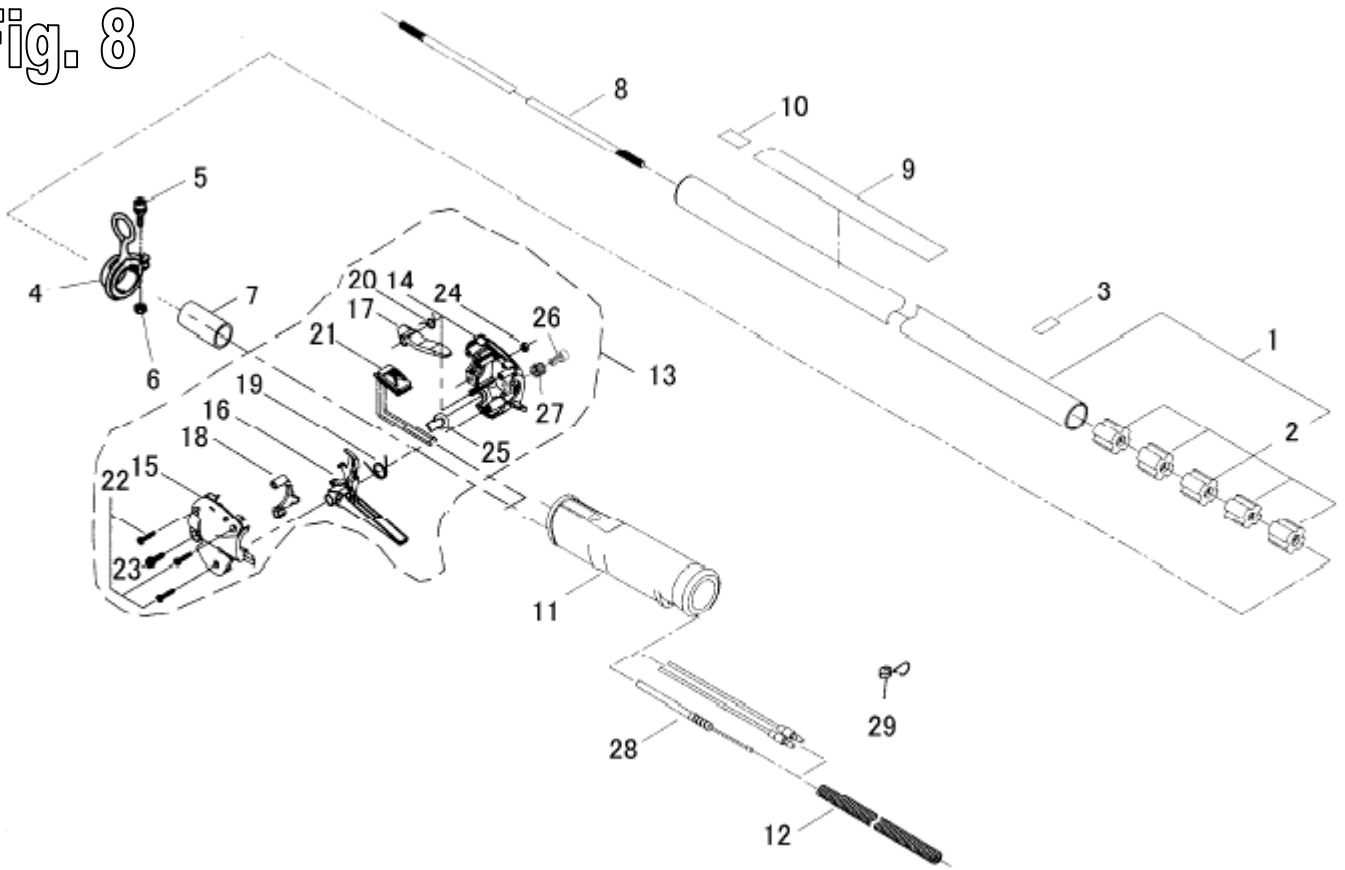
24	20087-81510	*GASKET	1
25	20087-81520	*DIAPHRAGM	1
26	20087-81531	*COVERSUBASSY	1
38	20005-83160	CABLECAP	1
39	70102-81710	CLEANERBODY	1
40	11207-04250	SCREWPMPLPW	2
41	20056-81740	FILTER	1
	20024-81800	CLEANERCOVERSUBASSY	1
42	20024-81770	*CLEANERCOVER	1
43	20115-81780	*KNOBCLEANERCOVER	1
44	22100-82430	*ORING	1
45	20024-81790	*CONEWASHER	1
46	19404-00008	*LABELCHOKE	1
50	70244-83410	GASKETCARBURETOR	1
51	01020-05650	BOLT	2
52	01600-05130	SPRINGWASHER	2

Fig. 7



Ref. No	Part No.	Part Name	Q`ty
7- 1	70244-85110	FUELTANK	1
2	70168-85201	FUELCAPASSY	1
4	20000-85221	*GASKET	1
5	20089-85350	GROMMET	1
6	70170-85310	FUELPIPE	1
7	22115-85401	FUELFILTERSUBASSY	1
8	22128-85410	*WEIGHTFUEL	1
9	22128-85421	*FILTER	2
10	22128-85440	*CLIPFILTER	1
11	22118-85460	*SCREEN	2
12	22128-85470	*SLEEVE	1
13	22128-85480	*RING	1
14	20087-85340	JOINT	1
15	22197-33960	VALVE	1
16	70170-83311	PIPE	1
17	20019-83320	SPRING	1
18	20020-85540	CLIP	5
19	20024-86112	TANKHOLDER	1
20	20024-86120	TANKCUSHION	2
21	20024-86130	TANKCUSHION	1
22	70103-86130	TANKGUARD	1
23	11022-05120	BOLTSPW	2

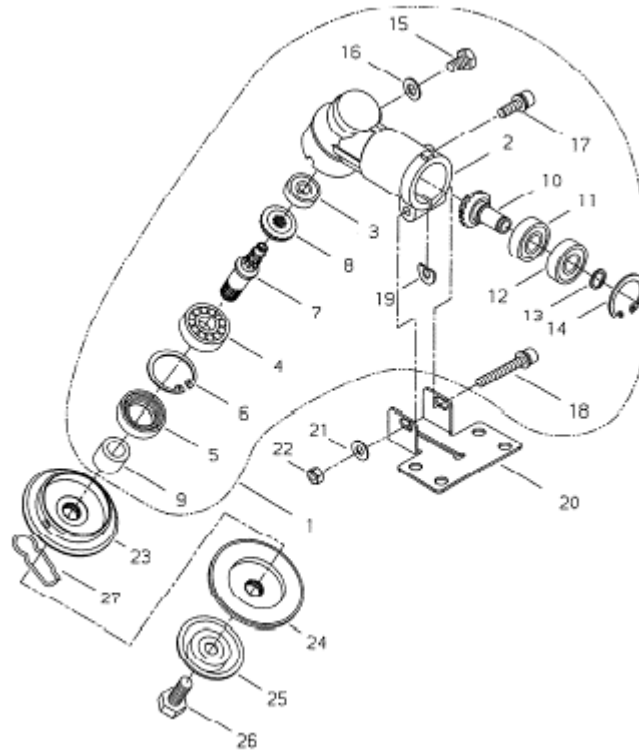
Fig. 8



Ref. No	Part No.	Part Name	Q`ty
8- 1	22024-12102	OUTERPIPESUBASSY	1
2	22024-12120	*BUSH	5
3	72017-12150	HANDLELABEL	1
4	22009-12210	HANGER	1
5	11022-05120	BOLTSPW	1
6	01500-05041	NUT	1
7	63000-62310	PROTECTOR	1
8	22000-12413	MAINSHAFT	1
9	19422-00010	LABELCAUTION	1
10	19402-00223	LABELCAUTION	1
11	63043-62140	GRIP	1
12	70201-83140	TUBE	1
13	63000-62320	THROTTLELEVERASSY	1
14	63000-62340	*BODYRIGHT	1
15	63000-62350	*BODYLEFT	1
16	63002-62340	*LEVER	1
17	63901-62352	*LOCKLEVER	1
18	63002-62350	*HOLDER	1
19	63880-65350	*COILSPRING	1
20	63901-62370	*COILSPRING	1
21	63000-62360	*SWITCH	1
22	63880-65360	*SCREW TAPPING	3
23	11206-05201	*SCREW PMSPW	1
24	01501-05030	*NUT	1
25	63880-65411	*PLUG	1

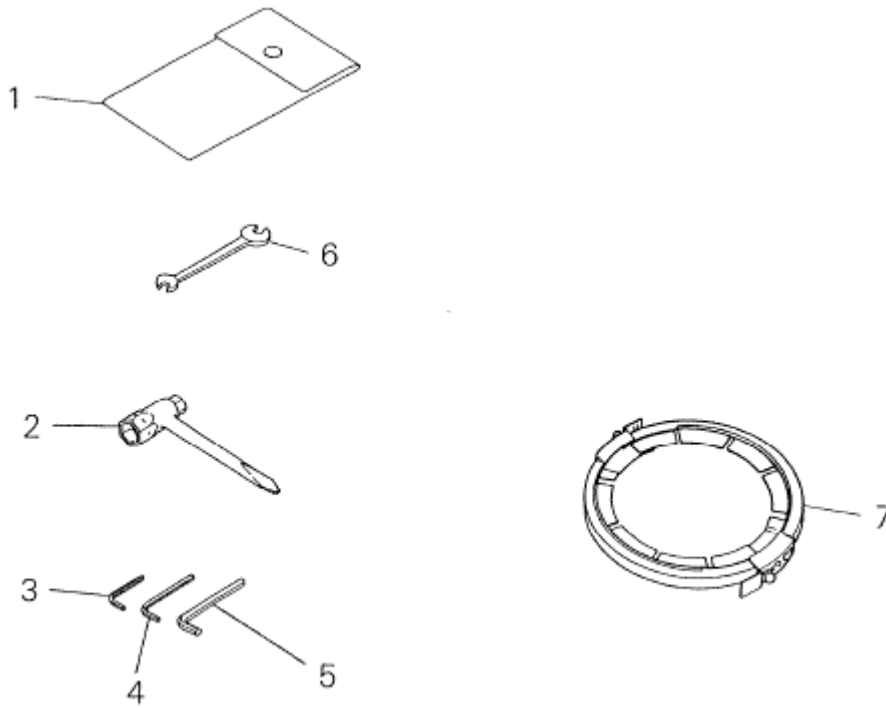
26	70871-65170	*BUTTON	1
27	70871-65180	*COILSPRING	1
28	62000-83110	THROTTLECABLE	1
29	20024-83152	CABLEHOLDER	1

Fig. 9



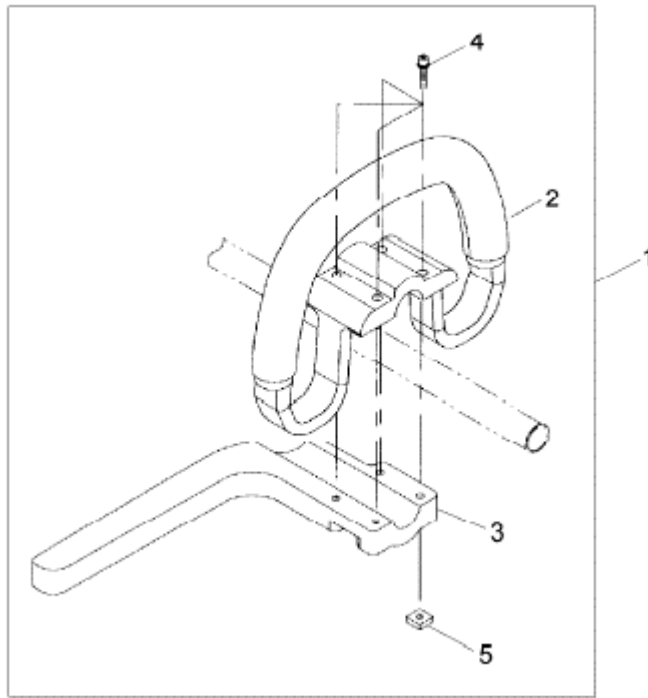
Ref. No	Part No.	Part Name	Q`ty
9- 1	63000-63020	GEARCASECOMP	1
2	22024-13112	*GEARCASE	1
3	02046-00609	*BEARING	1
4	02000-06201	*BEARING	1
5	22024-13121	*OILSEAL	1
6	02432-32120	*SNAPRING	1
7	72435-13210	*GEARSHAFT	1
8	22024-13220	*BEVELGEAR	1
9	22000-13230	*COLLAR	1
10	22024-13391	*PINIONSET	1
11	02000-06901	*BEARING	1
12	02002-06901	*BEARING	1
13	20000-31140	*SNAPRING	1
14	02432-24120	*SNAPRING	1
15	22015-13410	*BOLT	1
16	22015-13420	*GASKET	1
17	11022-05160	*BOLTSPW	1
18	11022-06400	*BOLTSPW	1
19	22011-13450	*SHIM	1
20	72441-16130	LOWERCLAMP	1
21	01500-06051	NUT	1
22	01613-06100	WASHER	1
23	22024-13912	HOLDERA	1
24	72435-13920	HOLDERB	1
25	22024-13291	BOLTGUARD	1
26	22000-13512	BOLT	1
27	22000-13530	SLIDEPIN	1

Fig. 10



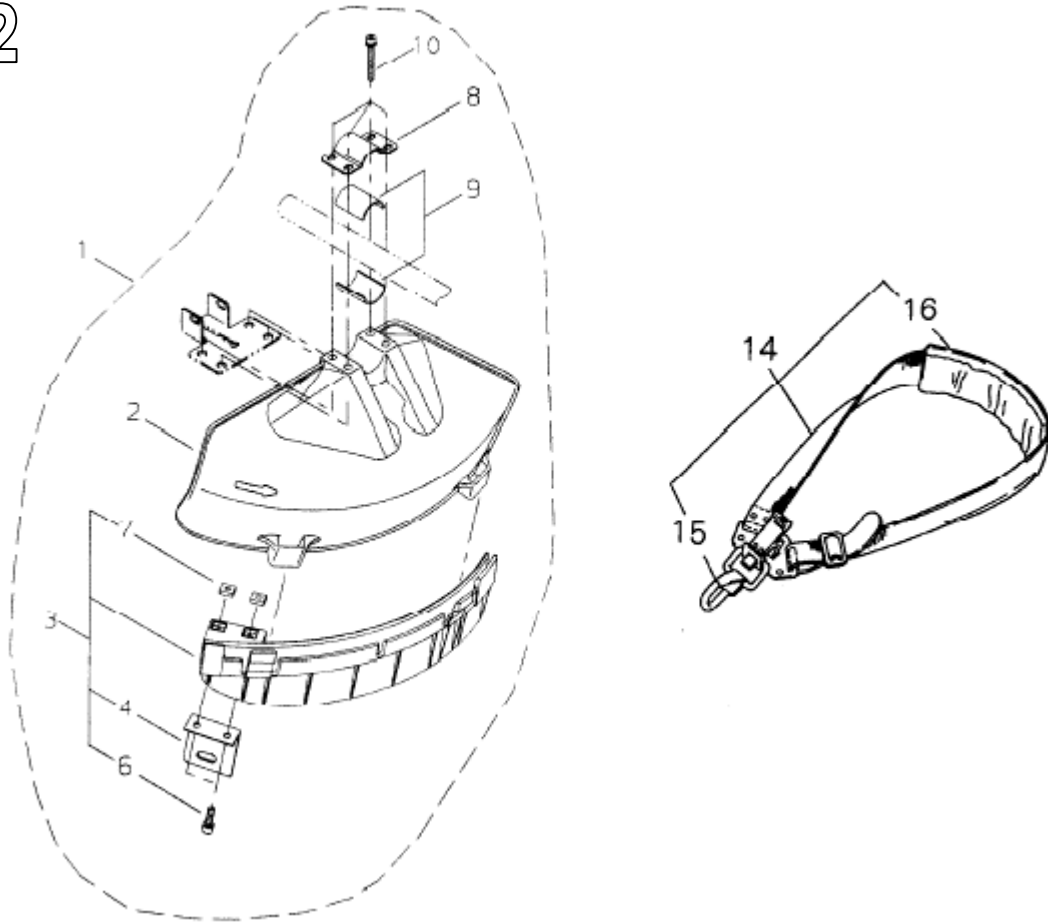
Ref. No	Part No.	Part Name	Q`ty
10-	72512-91000	TOOLSET	1
1	19639-01400	*TOOLBAG	1
2	22000-91181	*PLUGWRENCH	1
3	09026-03001	*HEXAWRENCH	1
4	09026-04001	*HEXAWRENCH	1
5	09026-05001	*HEXAWRENCH	1
6	22000-91120	*SPANNER	1
7	22550-92310	BLADECOVER	1

Fig. 11



Ref. No	Part No.	Part Name	Q`ty
11- 1	62074-64010	HANDLEASSY	1
2	62074-64110	*HANDLE	1
3	62074-64120	*BARRIER	1
4	11022-05350	*BOLTSPW	4
5	22420-16120	*NUT	4

Fig. 12



Ref. No	Part No.	Part Name	Q`ty
12- 1	64000-66310	GUARDSET	1
2	62903-66110	*GUARD	1
3	62903-66331	*SUBGUARDASSY	1
4	72480-16121	**CUTTER	1
6	11020-05160	**BOLTSW	2
7	22420-16120	**NUT	2
8	72480-16210	*UPPERCLAMP	1
9	72441-16220	*SPACER	2
10	11022-05450	*BOLTSPW	4
14	22421-17202	STRAPASSY	1
15	22421-17130	*HOOK	1
16	22007-17220	*PROTECTOR	1