

shindaiwa

PARTS PRICE LIST

T 3 4 1 0

Shindaiwa Corporation

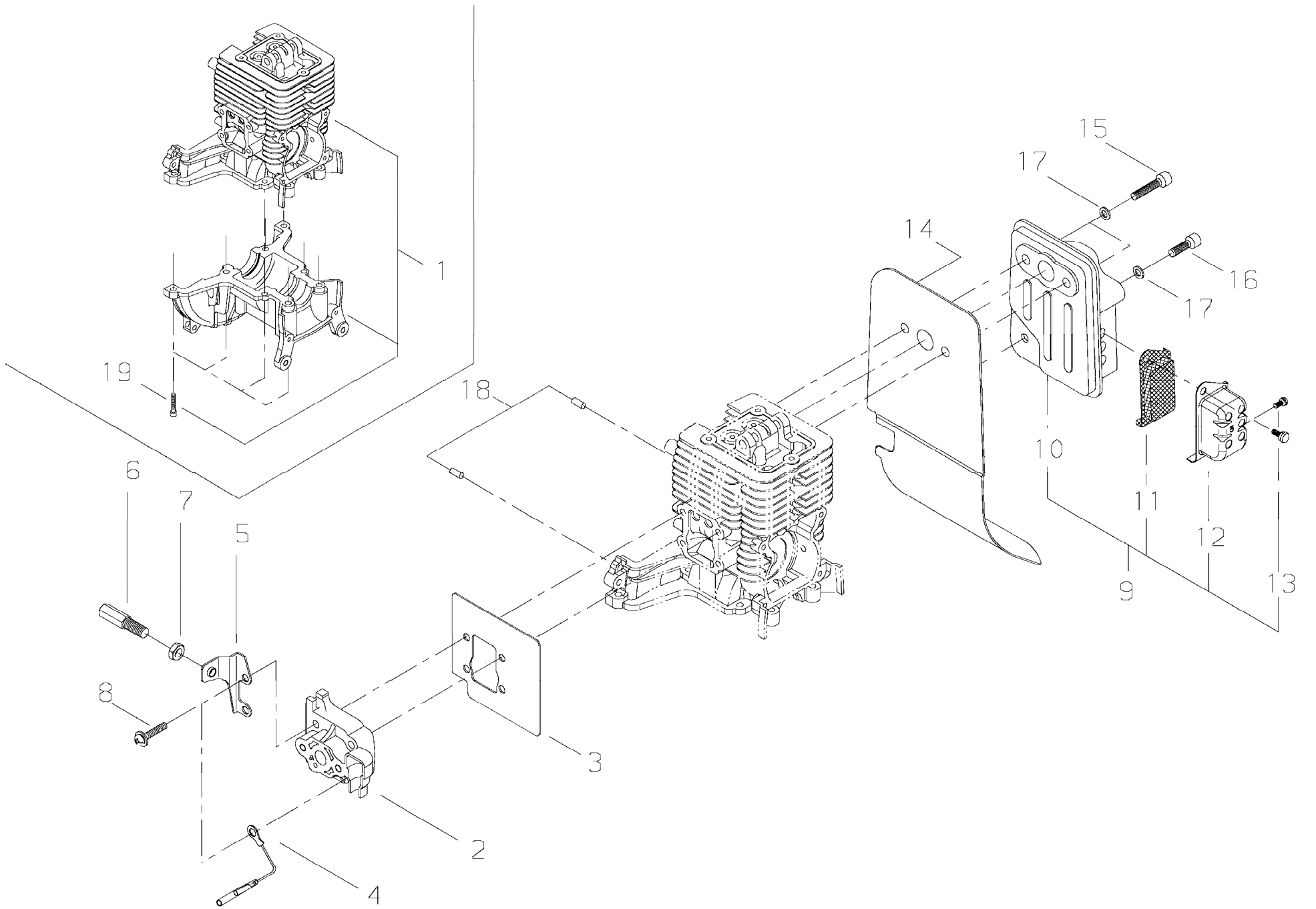
6-2-11, Ozuka-Nishi, Asaminami-ku, Hiroshima, 731-3167, Japan

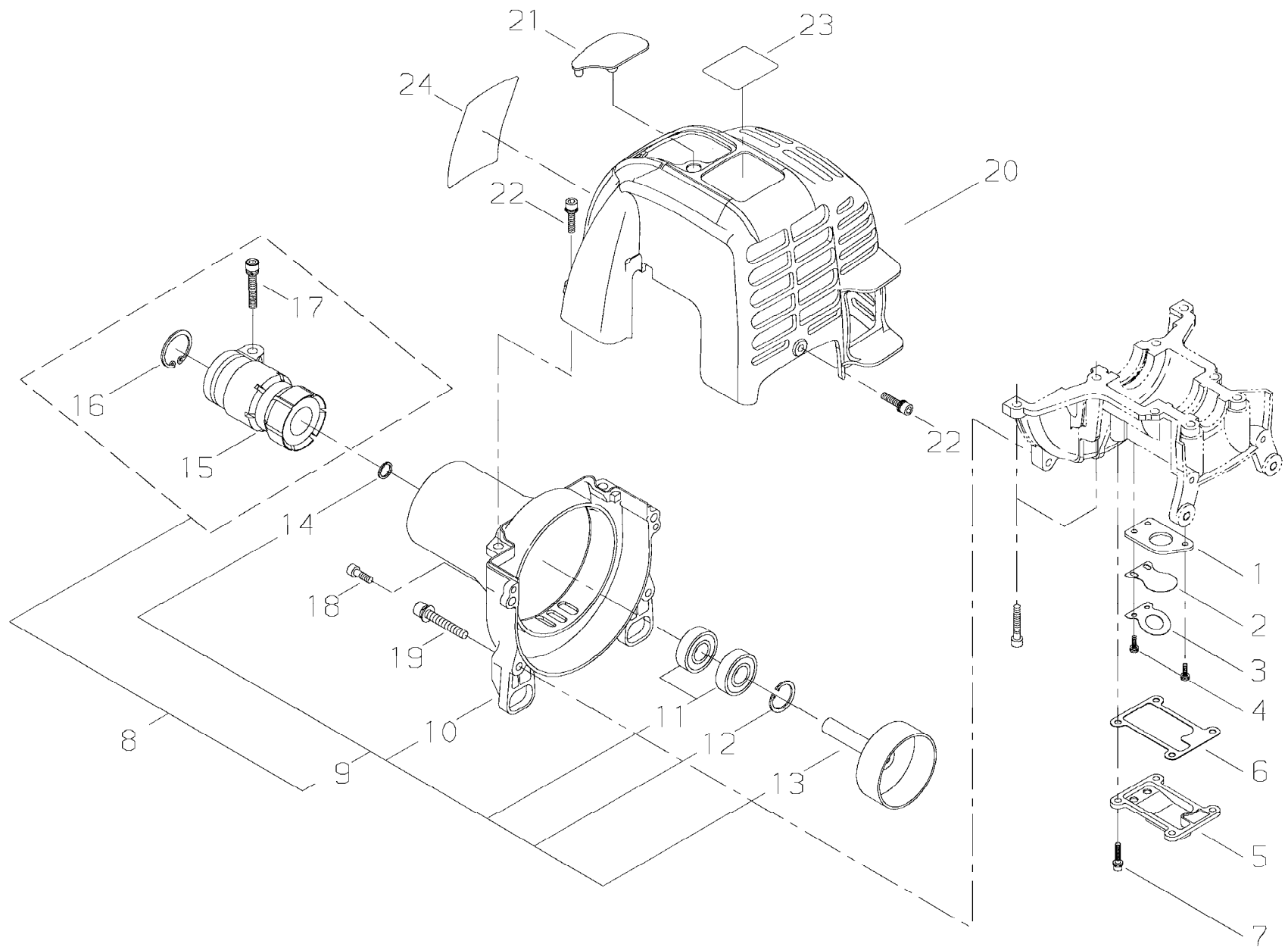
Telephone (082) 849-2005 Fax (082) 849-2481

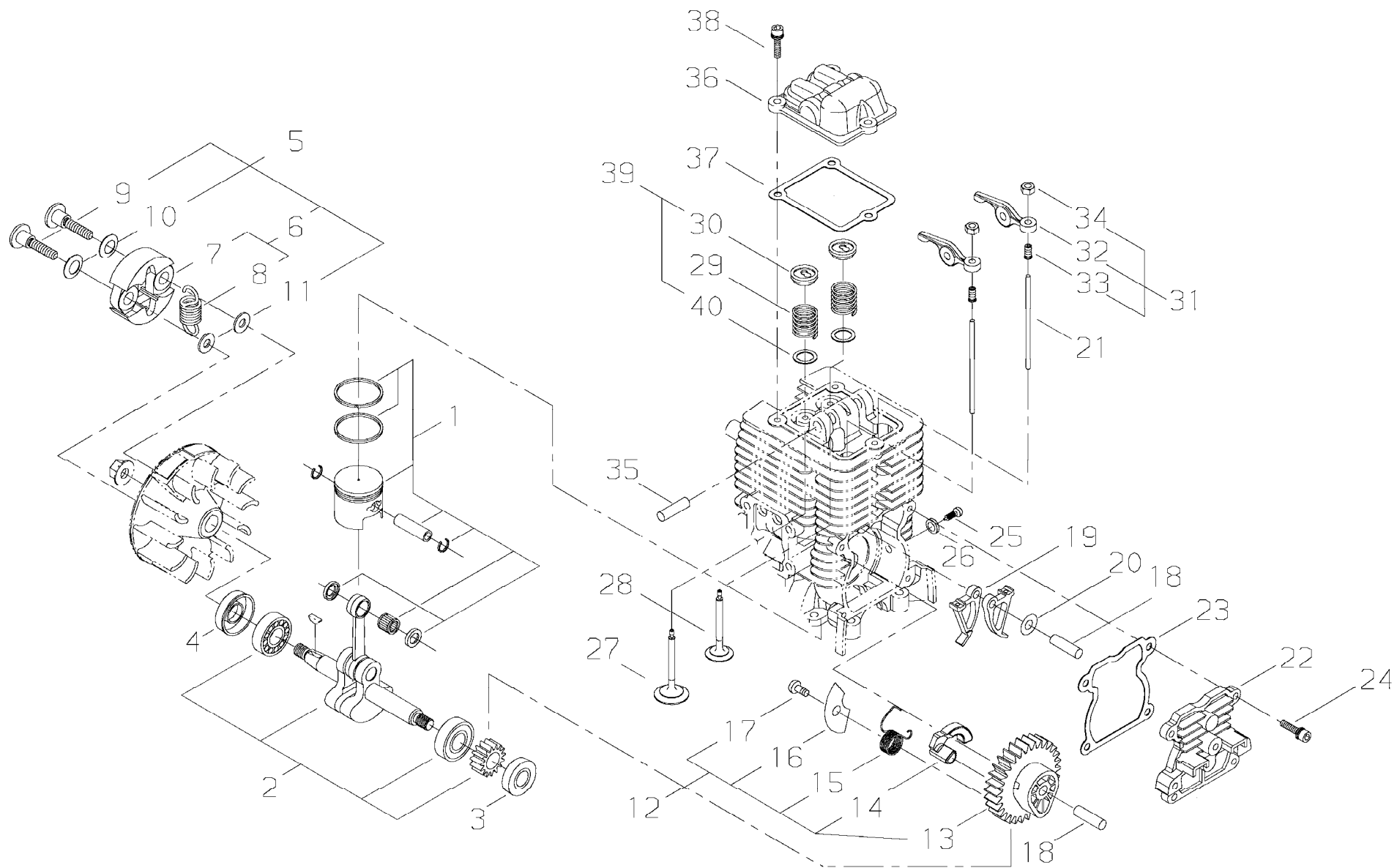
T 3 4 1 0 / E C 2

M A R . 2 , 2 0 0 9

P r i n t e d i n J a p a n







PRICE:(\\$)

Ref. No.	Part No.	Part Name	Q`ty	Unit Price(\$)	Remarks
3-1	62907-41310	PISTON SET	1		
2	62907-42021	CRANKSHAFT COMP	1		
3	62901-42260	OIL SEAL	1		S
4	62907-42270	OIL SEAL	1		M
5	72575-98031	CLUTCH SHOE ASSY	1		
6	72575-98040	*CLUTCH SHOE SUBASSY	1		
7	72575-98050	**CLUTCH SHOE	2		
8	72575-98060	**SPRING	1		
9	72575-98071	*BOLT	2		
10	20087-51231	*SPRING PLATE	2		
11	22100-71430	*WASHER	2		
12	62905-43011	CAM GEAR ASSY	1		
13	62902-43310	*CAM GEAR	1		
14	62907-43120	*WEIGHT	1		
15	17520-08900	*COIL SPRING	1		
16	62905-43131	*PLATE	1		
17	01280-04062	*SCREW,TAPPING	1		
18	12492-50290	ROLLER	2		5*L29.8
19	62907-43210	LIFTER	2		
20	11620-10000	WASHER	1		t0.3
21	62907-43220	PUSH ROD	2		
22	62907-43230	CAM GEAR COVER	1		
23	62907-43240	GASKET	1		
24	11022-04140	BOLT-SPW	4		M4*14
25	62901-43310	SCREW	1		
26	15401-10028	COLLAR	1		5.5,10 T=2
27	62907-44111	INTAKE VALVE	1		
28	62907-44121	EXHAUST VALVE	1		
29	62901-44130	VALVE SPRING	2		
30	62908-44140	*RETAINER	2		
31	62907-44010	ROCKER ARM ASSY	2		
32	62901-44210	*ROCKER ARM	2		
33	62907-44220	*ADJUST SCREW	2		
34	62901-44231	*NUT	2		
35	12492-50370	ROLLER	1		5*L37.8
36	62907-44240	ROCKER ARM COVER	1		
37	62907-44250	GASKET	1		
38	11022-04140	BOLT-SPW	3		M4*14

