

shindaiwa

Illustrated Parts List

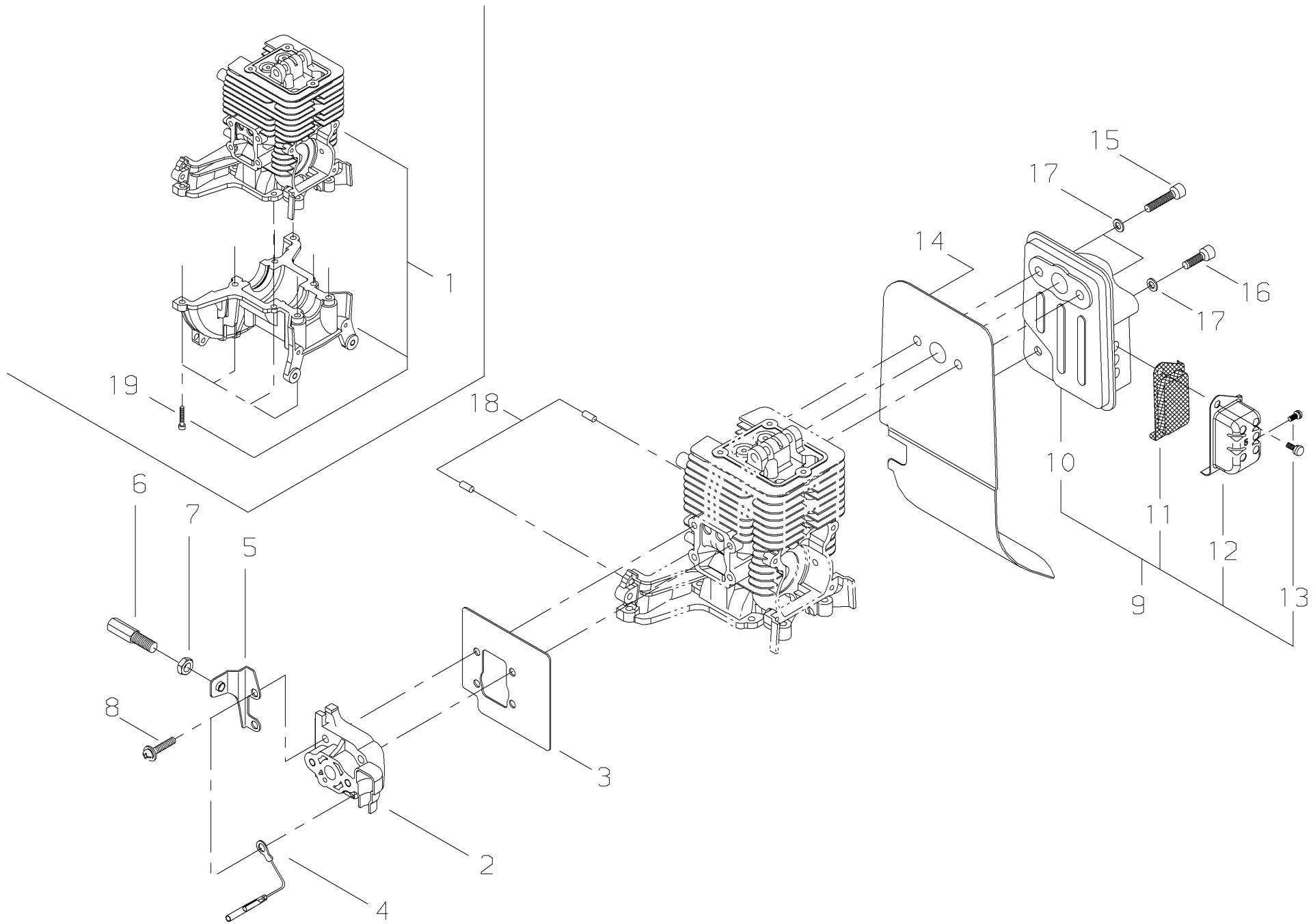
T3410/EC2

Shindaiwa Kogyo Co.,Ltd.

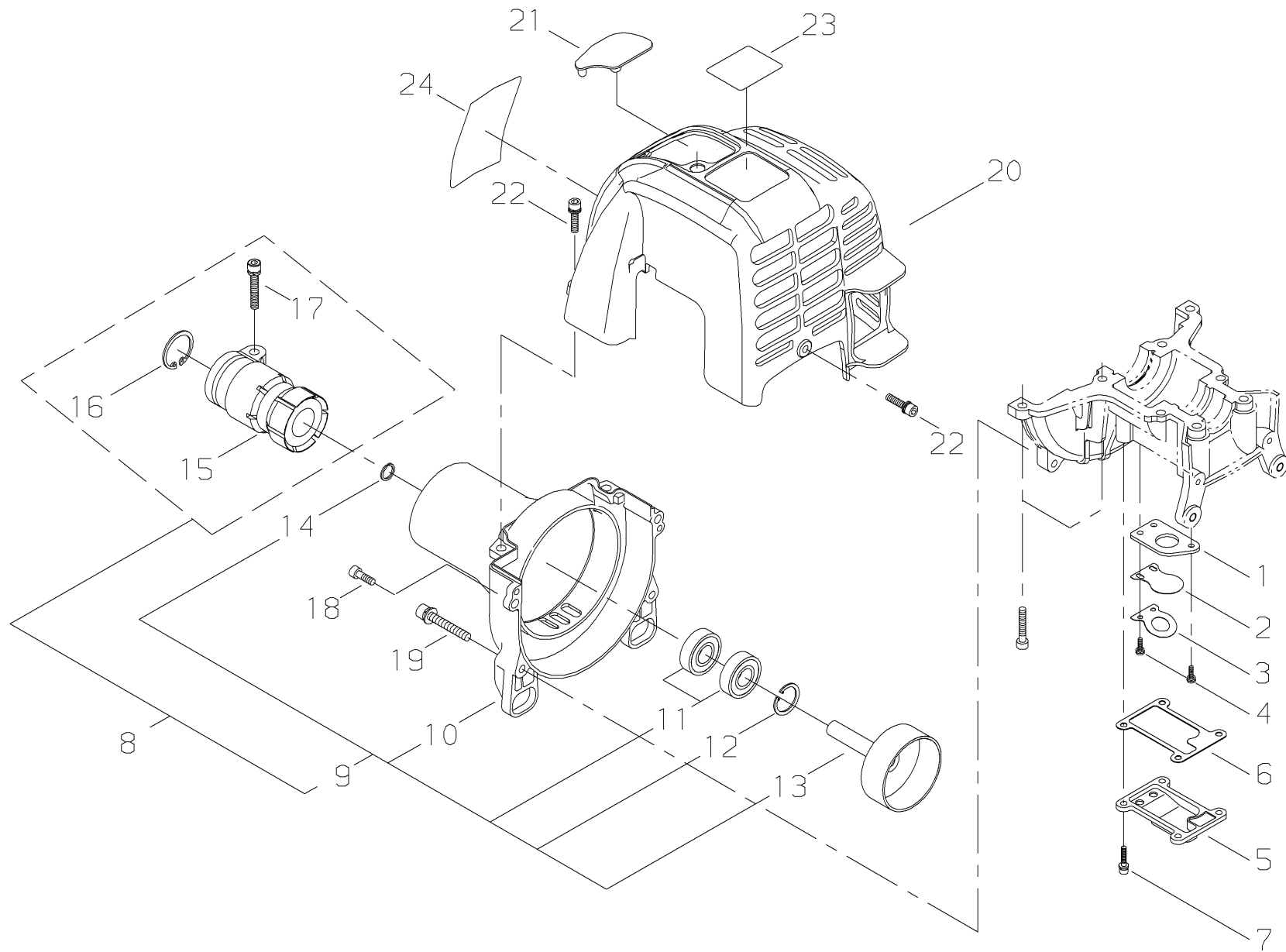
6-2-11,Ozuka -Nishi, Asaminami -ku, Hiroshima, 731 -3167, Japan

Telephone (082) 849 -2005 Fax (082) 849 -2481

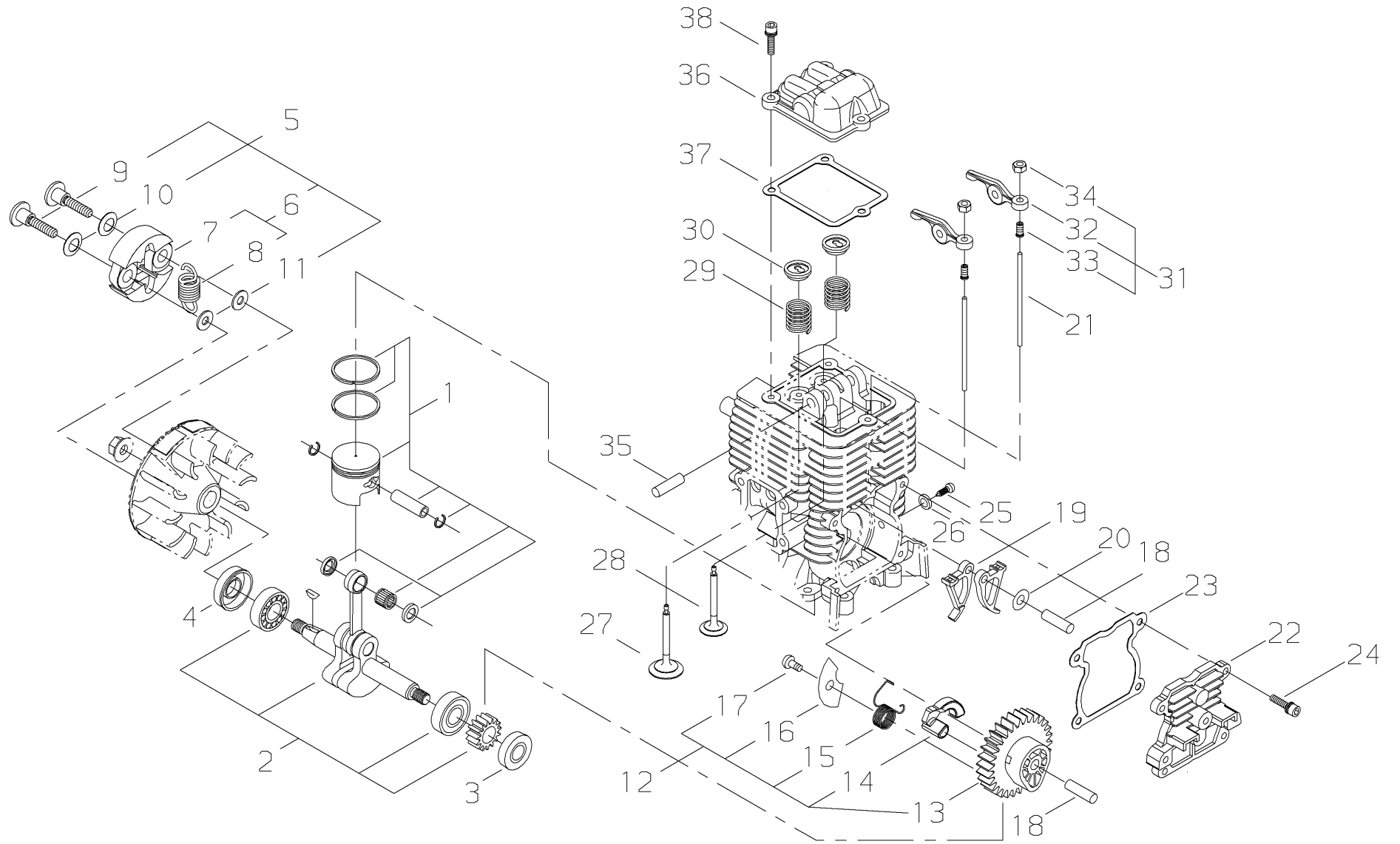
T3410/EC2
February 31, 2006



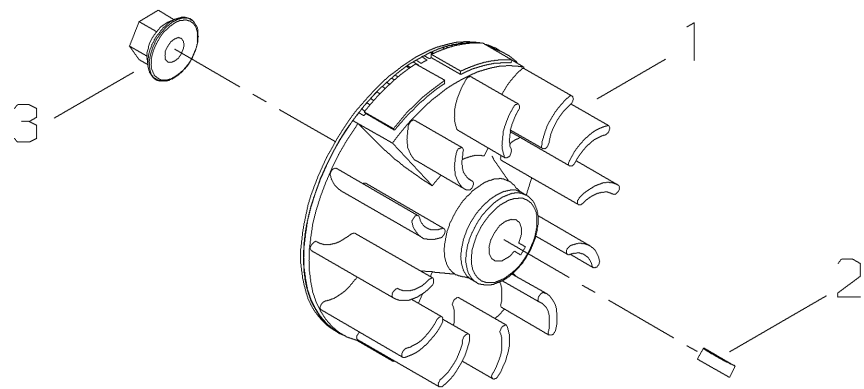
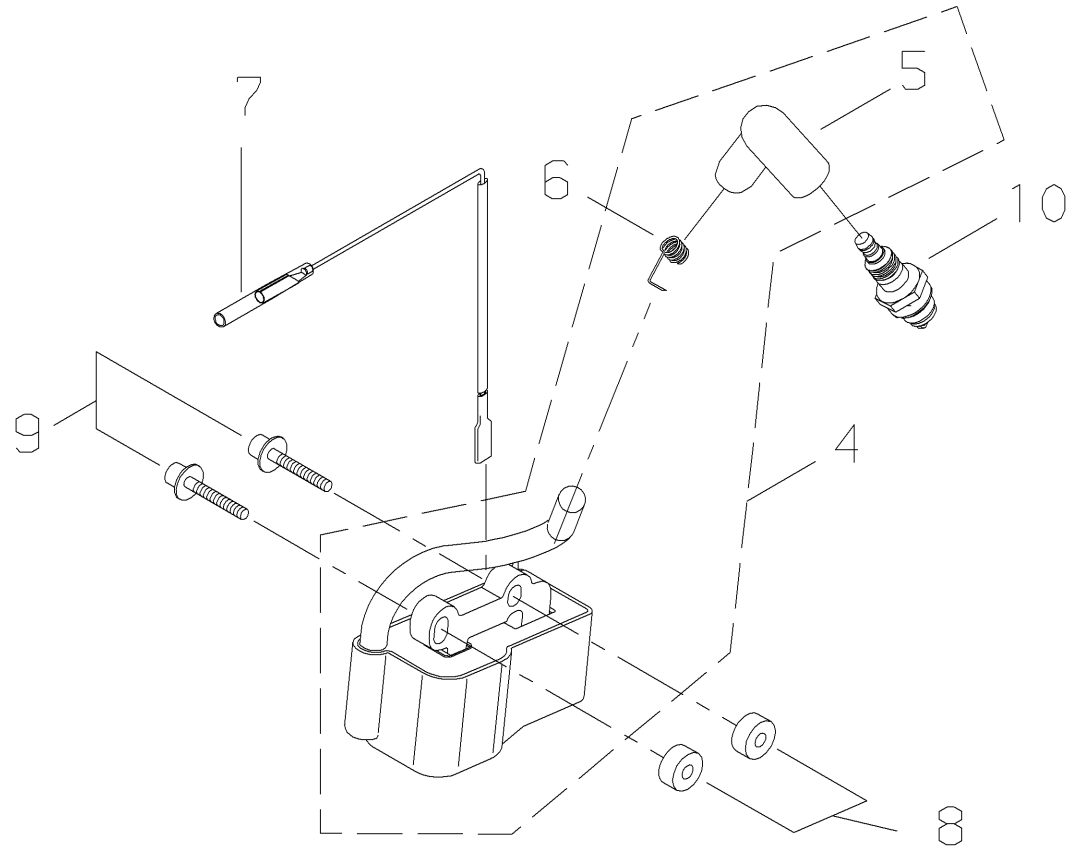
| Ref. No | Part No. | Part Name | Q`ty | Remarks |
|---------|-------------|-------------------------|------|---------|
| 1- 1 | 60907-98330 | CYLINDER BLOCK SET | 1 | |
| 19 | 01020-05160 | *BOLT | 8 | |
| 2 | 62907-12311 | REED VALVE | 1 | |
| 3 | 62907-12220 | GASKET | 1 | |
| 4 | 14350-01101 | LEAD WIRE | 1 | |
| 5 | 62901-83310 | BRACKET, THROTTLE CABLE | 1 | |
| 6 | 62902-83310 | CABLE ADJUSTER | 1 | |
| 7 | 01501-06048 | NUT | 1 | |
| 8 | 11206-05255 | SCREW, PMSPW | 4 | |
| 9 | 62907-15011 | MUFFLER ASSY | 1 | |
| 10 | 62907-15111 | *MUFFLER | 1 | |
| 11 | 62902-15131 | *SCREEN | 1 | |
| 12 | 62907-15161 | *TAILPLATE | 1 | |
| 13 | 11204-04060 | *SCREW, PM | 2 | |
| 14 | 62901-15210 | GASKET, MUFFLER | 1 | |
| 15 | 62901-15310 | BOLT | 2 | |
| 16 | 01020-05160 | BOLT | 1 | |
| 17 | 01610-05080 | WASHER | 3 | |
| 18 | 12492-40080 | ROLLER | 2 | |



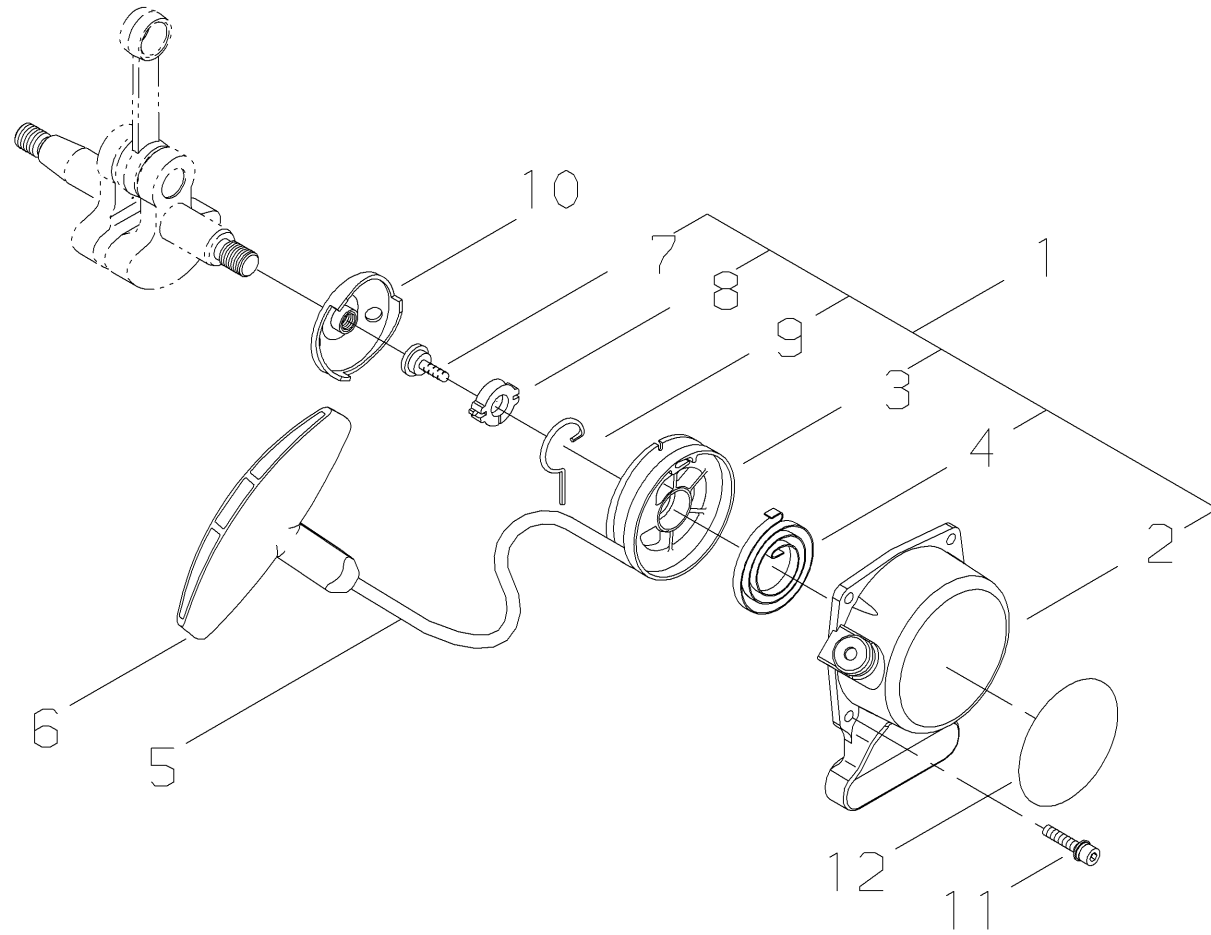
| Ref. No | Part No. | Part Name | Q`ty | Remarks |
|---------|-------------|-----------------|------|---------|
| 2- 1 | 62901-21320 | INSULATOR | 1 | |
| 2 | 72320-83121 | VALVE | 1 | |
| 3 | 72320-83132 | STOPPER | 1 | |
| 4 | 01211-03100 | SCREW, SW | 3 | |
| 5 | 62901-21120 | COVER | 1 | |
| 6 | 62901-21130 | GASKET | 1 | |
| 7 | 11022-04140 | BOLT, SPW | 4 | |
| 8 | 60907-98351 | FAN COVER ASSY | 1 | |
| 9 | 62907-31011 | *FAN COVER COMP | 1 | |
| 10 | 62907-31110 | **FAN COVER | 1 | |
| 11 | 02036-06001 | **BEARING | 2 | |
| 12 | 02432-28120 | **SNAP RING | 1 | |
| 13 | 62907-31211 | **CLUTCH DRUM | 1 | |
| 14 | 20000-31140 | **SNAP RING | 1 | |
| 15 | 62907-33110 | *JOINT | 1 | |
| 16 | 02432-42170 | *SNAP RING | 1 | |
| 17 | 11020-05220 | *BOLT, SW | 1 | |
| 18 | 01020-05160 | BOLT | 2 | |
| 19 | 11022-05400 | BOLT, SW | 2 | |
| 20 | 62907-32110 | CYLINDER COVER | 1 | |
| 21 | 62901-32312 | GROMMET | 1 | |
| 22 | 11022-04140 | BOLT, SPW | 3 | |
| 23 | 62913-91320 | LABEL, TRADE | 1 | |
| 24 | 19420-00071 | LABEL, TRADE | 1 | |



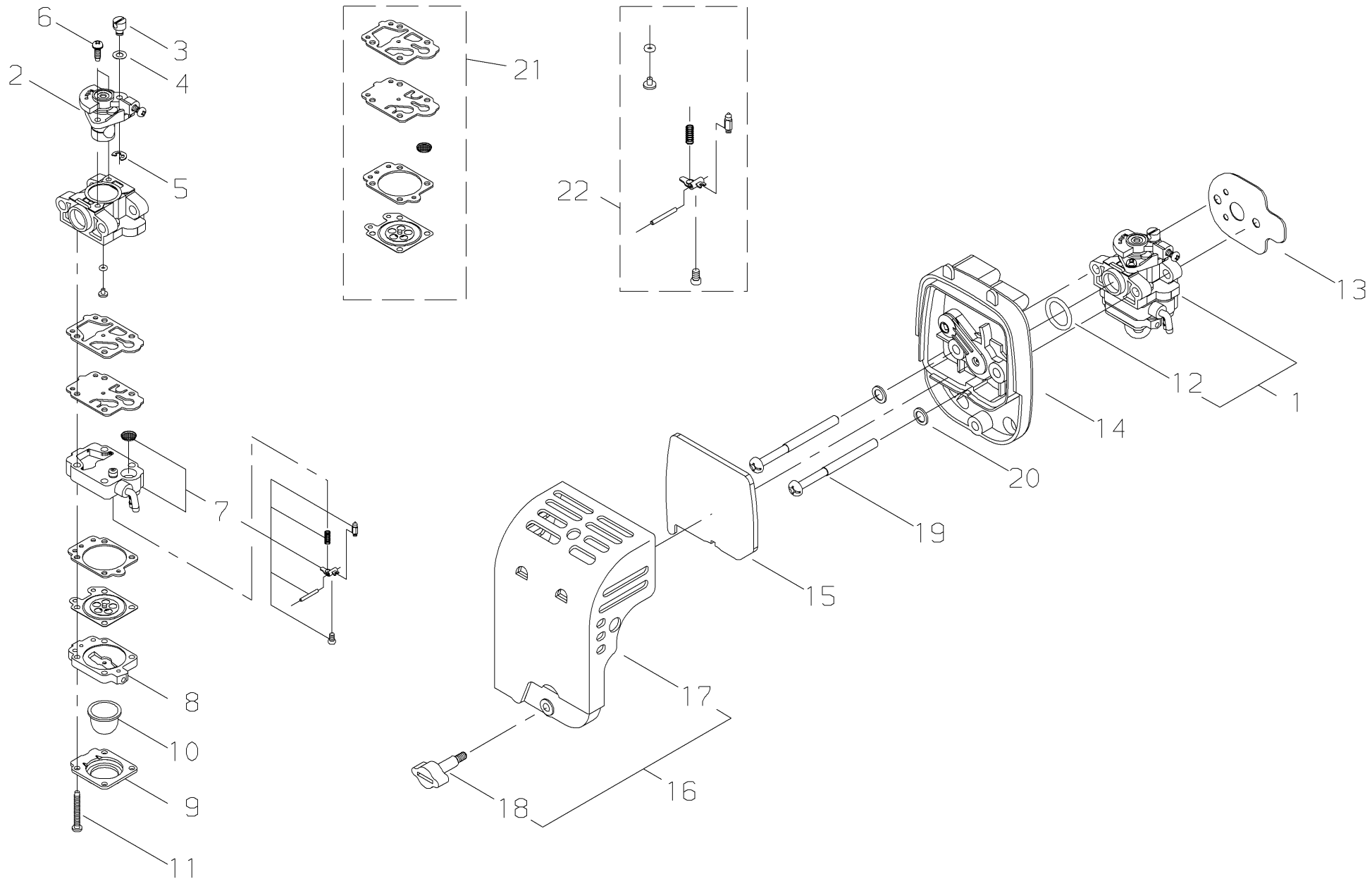
| Ref. No | Part No. | Part Name | Q`ty | Remarks |
|---------|-------------|-----------------------|------|---------|
| 3- 1 | 62907-41310 | PISTON SET | 1 | |
| 2 | 62907-42021 | CRANKSHAFT, COMP | 1 | |
| 3 | 62901-42260 | OIL SEAL | 1 | |
| 4 | 62907-42270 | OIL SEAL | 1 | |
| 5 | 72575-98031 | CLUTCH SHOE ASSY | 1 | |
| 6 | 72575-98040 | *CLUTCH SHOE SUB ASSY | 1 | |
| 7 | 72575-98050 | **CLUTCH SHOE | 2 | |
| 8 | 72575-98060 | **SPRING | 1 | |
| 9 | 72575-98071 | *CLUTCH BOLT | 2 | |
| 10 | 20087-51231 | *SPRING PLATE | 2 | |
| 11 | 22100-71430 | *WASHER | 2 | |
| 12 | 62905-43010 | CAM GEAR ASSY | 1 | |
| 13 | 62902-43310 | *CAM GEAR | 1 | |
| 14 | 62907-43120 | *WEIGHT | 1 | |
| 15 | 17520-08900 | *COIL SPRING | 1 | |
| 16 | 62905-43130 | *PLATE | 1 | |
| 17 | 01280-04062 | *SCREW, TAPPING | 1 | |
| 18 | 12492-50290 | ROLLER | 2 | |
| 19 | 62907-43210 | LIFTER | 2 | |
| 20 | 11620-10000 | WASHER | 1 | |
| 21 | 62907-43220 | PUSHROD | 2 | |
| 22 | 62907-43230 | CAM GEAR COVER | 1 | |
| 23 | 62907-43240 | GASKET | 1 | |
| 24 | 11022-04140 | BOLT, SPW | 4 | |
| 25 | 62901-43310 | SCREW | 1 | |
| 26 | 15401-10028 | COLLAR | 1 | |
| 27 | 62907-44110 | INTAKE VALVE | 1 | |
| 28 | 62907-44120 | EXHAUST VALVE | 1 | |
| 29 | 62901-44130 | VALVE SPRING | 2 | |
| 30 | 62901-44140 | RETAINER | 2 | |
| 31 | 62907-44010 | ROCKER ARM ASSY | 2 | |
| 32 | 62901-44210 | *ROCKER ARM | 1 | |
| 33 | 62907-44220 | *ADJUST SCREW | 1 | |
| 34 | 62901-44231 | *NUT | 1 | |
| 35 | 12492-50370 | ROLLER | 1 | |
| 36 | 62907-44240 | ROCKER ARM COVER | 1 | |
| 37 | 62907-44250 | GASKET | 1 | |
| 38 | 11022-04140 | BOLT, SPW | 3 | |



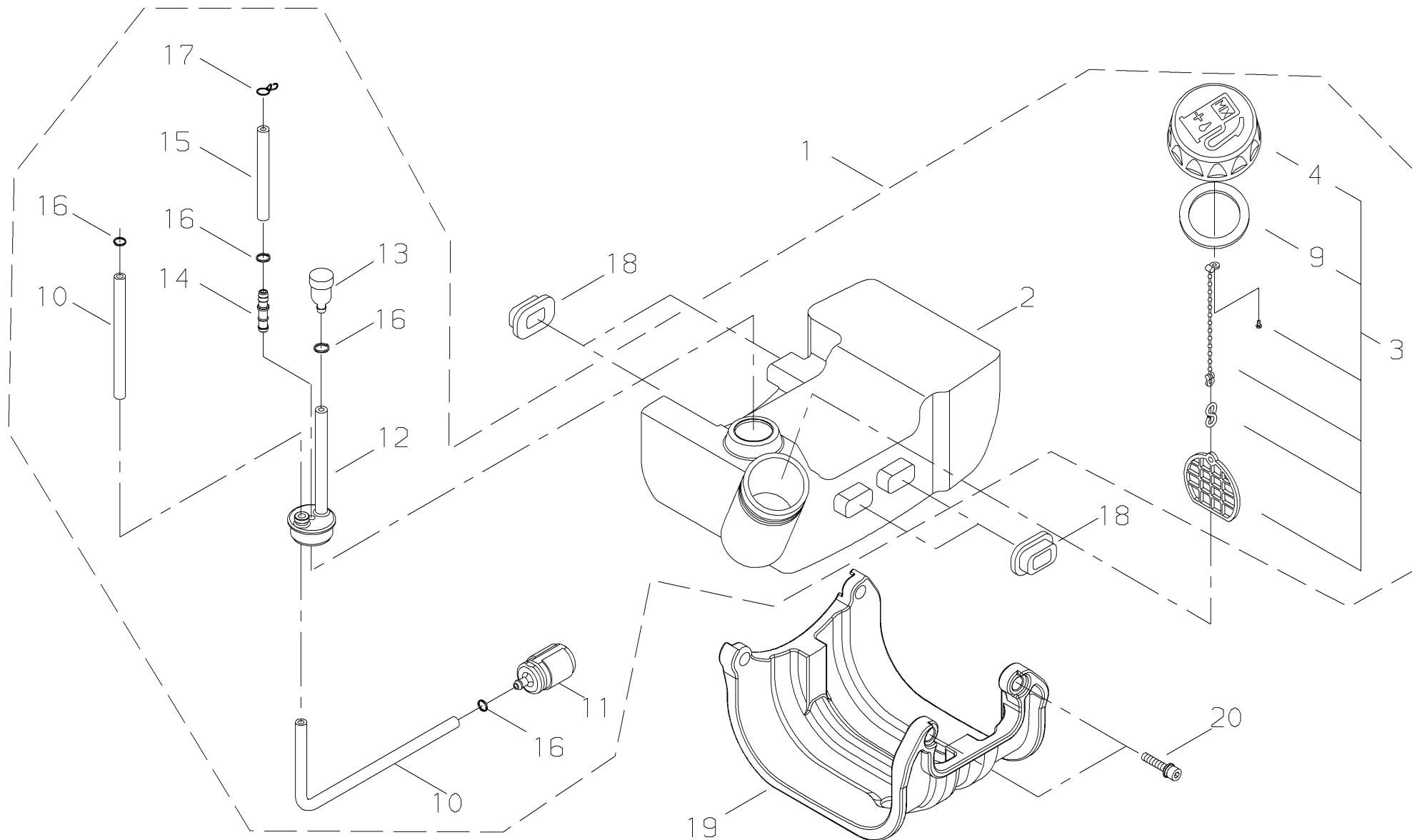
| Ref. No | Part No. | Part Name | Q`ty | Remarks |
|---------|-------------|--------------|------|---------|
| 4 -1 | 62907-71110 | ROTOR | 1 | |
| 2 | 02403-03100 | KEY | 1 | |
| 3 | 20035-71220 | NUT | 1 | |
| 4 | 62907-71310 | COIL ASSY | 1 | |
| 5 | 62905-71250 | *PLUG CAP | 1 | |
| 6 | 62905-71320 | *SPRING PLUG | 1 | |
| 7 | 14350-02200 | LEAD WIRE | 1 | |
| 8 | 70030-71620 | INSULATOR | 2 | |
| 9 | 11024-04265 | BOLT, SW | 2 | |
| 10 | CMR5H | SPARK PLUG | 1 | |



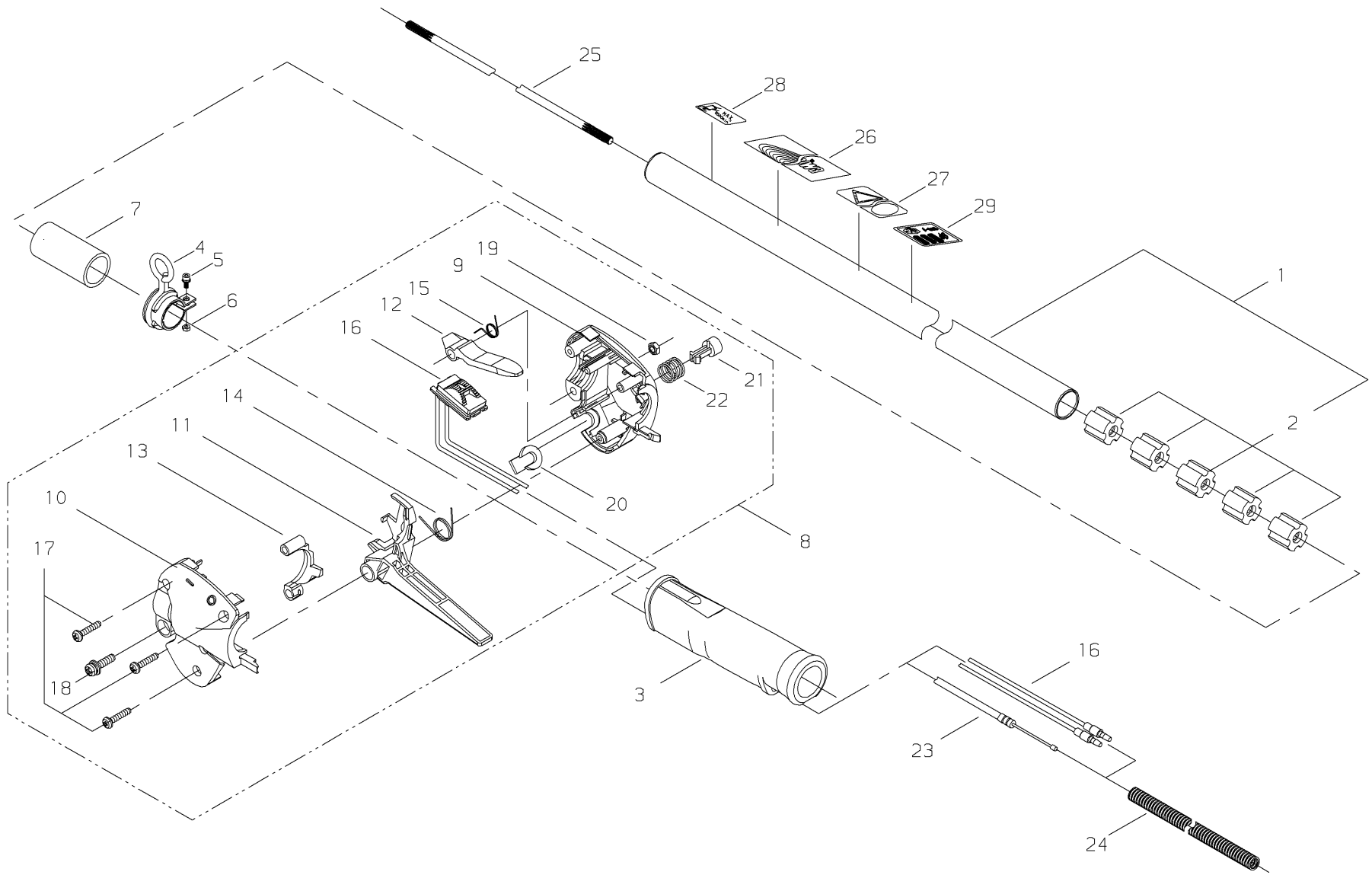
| Ref. No | Part No. | Part Name | Q`ty | Remarks |
|---------|-------------|---------------------|------|---------|
| 5- 1 | 62907-75010 | RECOIL STARTER ASSY | 1 | |
| 2 | 62907-75110 | *STARTER CASE | 1 | |
| 3 | 62907-75120 | *REEL | 1 | |
| 4 | 70030-75130 | *RECOIL SPRING | 1 | |
| 5 | 62907-75140 | *ROPE | 1 | |
| 6 | 62907-75150 | *KNOB | 1 | |
| 7 | 37013-75310 | *SCREW | 1 | |
| 8 | 37013-75320 | *COLLAR | 1 | |
| 9 | 37013-75330 | *SWING ARM | 1 | |
| 10 | 37013-75210 | STARTER PULLEY | 1 | |
| 11 | 11024-04140 | BOLT, SPW | 4 | |
| 12 | 19420-00070 | LABEL, TRADE | 1 | |



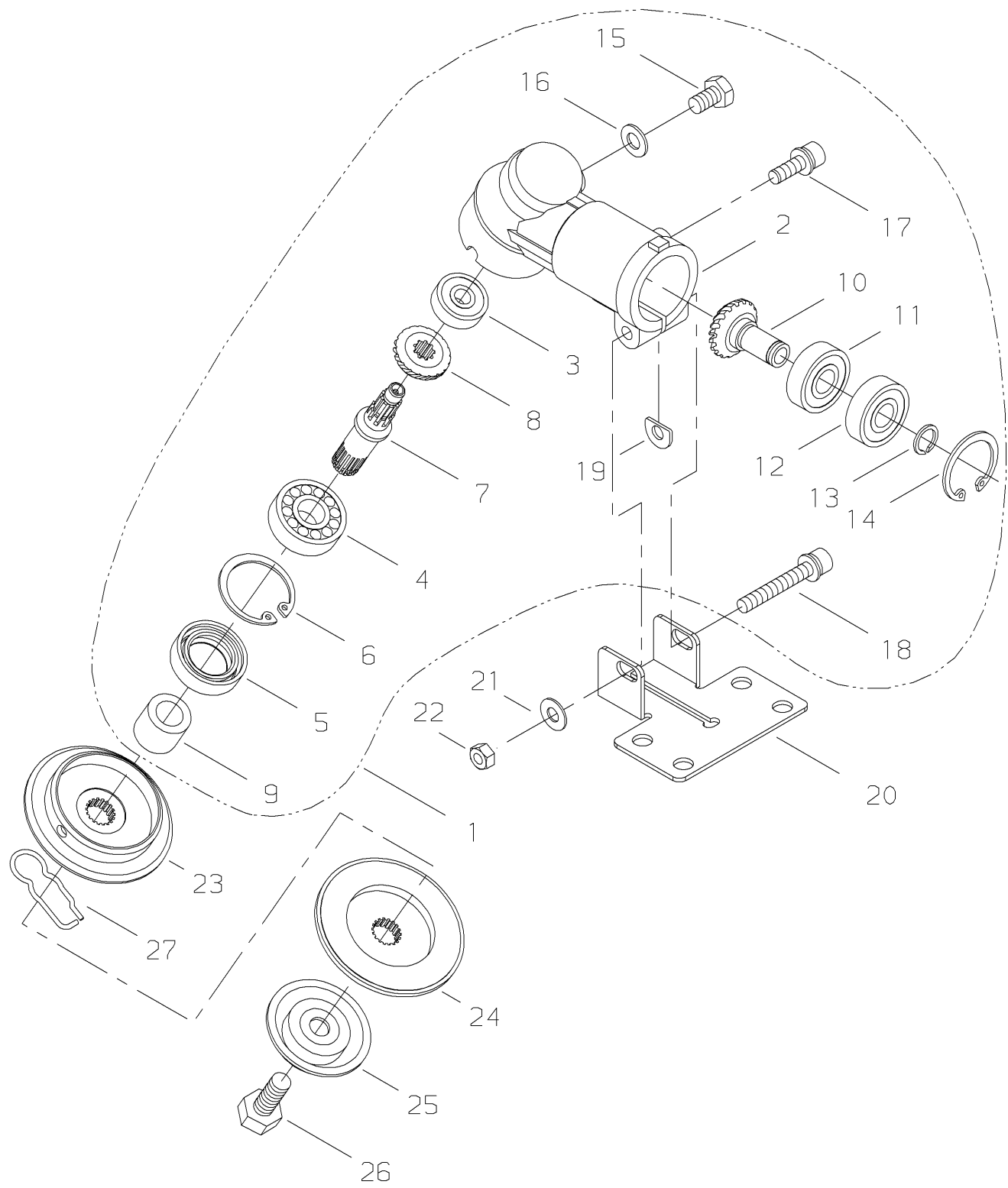
| Ref. No | Part No. | Part Name | Q`ty | Remarks |
|---------|-------------|-------------------------|------|---------|
| 6- 1 | 62907-81011 | CABURETOR ASSY | 1 | |
| 2 | 62907-81321 | *VALVE | 1 | |
| 3 | 72933-81450 | *SWIVEL | 1 | |
| 4 | 20089-81185 | *WASHER | 1 | |
| 5 | 20036-81195 | *E-RING | 1 | |
| 6 | 70064-81290 | *SCREW | 2 | |
| 7 | 37013-81350 | *PUMP BODY ASSY | 1 | |
| 8 | 20016-81420 | *PUMP BASE, COMP | 1 | |
| 9 | 20016-81510 | *PUMP COVER | 1 | |
| 10 | 20036-81670 | *PRIMER PUMP | 1 | |
| 11 | 20016-81140 | *SCREW | 4 | |
| 12 | 20016-81250 | *O-RING | 1 | |
| 21 | 60902-98030 | *GASKET SET | 1 | |
| 22 | 60907-98341 | *VALVE SET | 1 | |
| 13 | 62907-81210 | GASKET | 1 | |
| 14 | 62905-82010 | AIR FILTER BASE ASSY | 1 | |
| 15 | 62902-82120 | FILTER | 1 | |
| 16 | 62902-82030 | CLEANER COVER ASSY | 1 | |
| 17 | 62901-82131 | *CLEANER COVER | 1 | |
| 18 | 62901-82330 | *KNOB, AIR FILTER COVER | 1 | |
| 19 | 11203-05605 | SCREW, PMSW | 2 | |
| 20 | 01613-05080 | WASHER | 2 | |



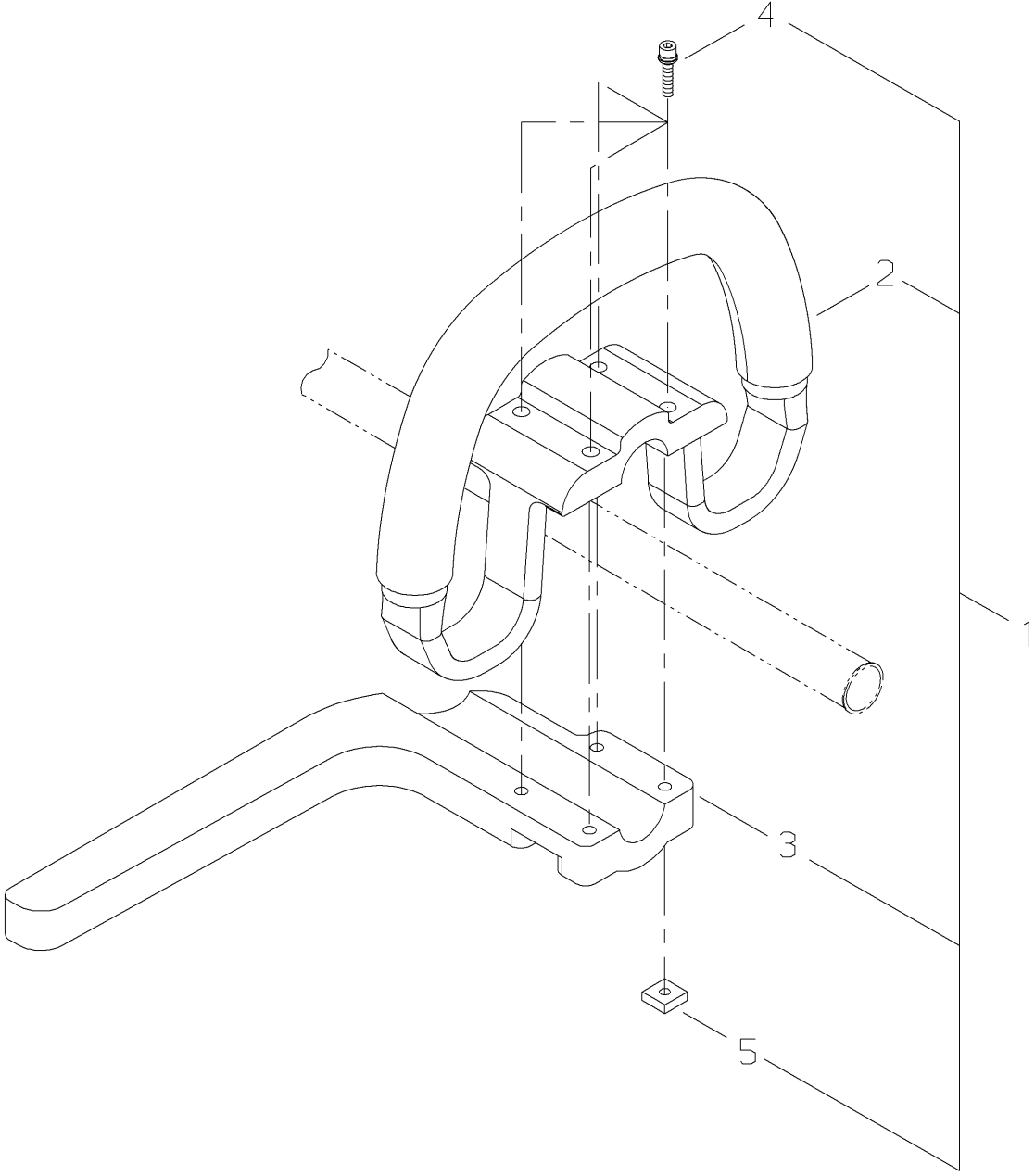
| Ref. No | Part No. | Part Name | Q`ty | Remarks |
|---------|-------------|----------------|------|---------|
| 7- 1 | 62907-85310 | FUEL TANK ASSY | 1 | |
| 2 | 62907-85110 | *FUEL TANK | 1 | |
| 3 | 70168-85201 | *FUEL CAP ASSY | 1 | |
| 4 | 70168-85210 | **FUEL CAP | 1 | |
| 9 | 20000-85221 | **GASKET | 1 | |
| 10 | 70170-85310 | *FUEL PIPE | 1 | |
| 11 | 20016-85400 | *FUEL FILTER | 1 | |
| 12 | 20112-85351 | *GROMMET | 1 | |
| 13 | 22197-33960 | *VALVE | 1 | |
| 14 | 72933-85620 | *JOINT | 1 | |
| 15 | 32003-85330 | *PIPE | 1 | |
| 16 | 20020-85540 | *CLIP | 3 | |
| 17 | 37013-85310 | *CLIP | 1 | |
| 18 | 62901-85220 | TANK CUSHION | 4 | |
| 19 | 62902-85320 | TANK GUARD | 1 | |
| 20 | 11022-05200 | BOLT, SPW | 2 | |



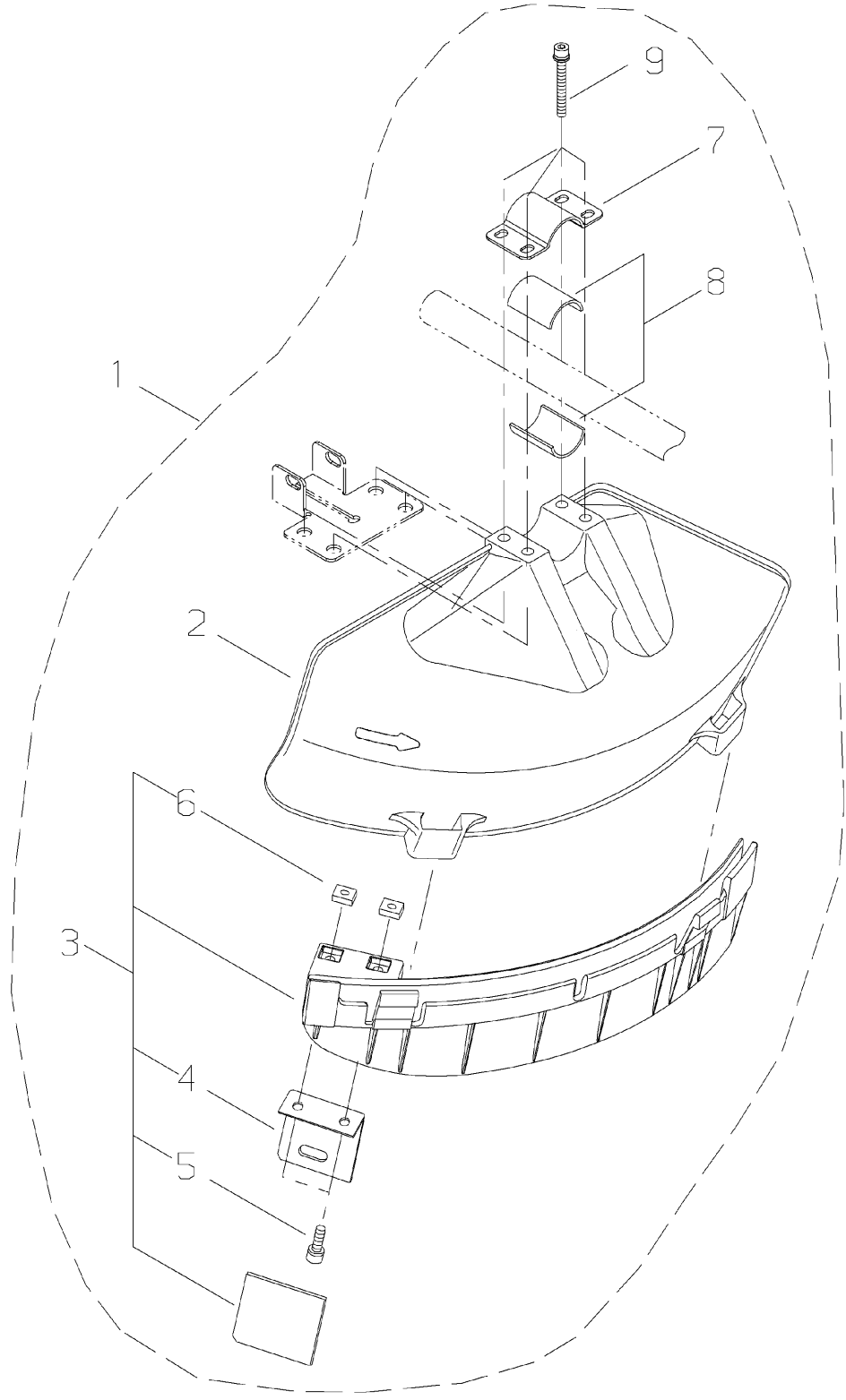
| Ref. No | Part No. | Part Name | Q`ty | Remarks |
|---------|-------------|---------------------|------|---------|
| 8- 1 | 60907-98380 | OUTER PIPE COMP | 1 | |
| 2 | 22024-12120 | *BUSHING | 5 | |
| 3 | 63043-62140 | GRIP | 1 | |
| 4 | 22009-12210 | HANGER | 1 | |
| 5 | 11022-05120 | BOLT, SPW | 1 | |
| 6 | 01500-05041 | NUT | 1 | |
| 7 | 63000-62311 | PROTECTOR | 1 | |
| 8 | 63907-62020 | THROTTLE LEVER ASSY | 1 | |
| 9 | 63000-62340 | *BODY, RIGHT | 1 | |
| 10 | 63000-62350 | *BODY, LEFT | 1 | |
| 11 | 63002-62340 | *LEVER | 1 | |
| 12 | 63901-62352 | *LOCK LEVER | 1 | |
| 13 | 63002-62350 | *HOLDER | 1 | |
| 14 | 63880-65350 | *COIL SPRING | 1 | |
| 15 | 63901-62370 | *COIL SPRING | 1 | |
| 16 | 63907-62310 | *SWITCH | 1 | |
| 17 | 63880-65360 | *SCREW, TAPPING | 3 | |
| 18 | 11206-05201 | *SCREW, PMSPW | 1 | |
| 19 | 01501-05030 | *NUT | 1 | |
| 20 | 63880-65411 | *PLUG | 1 | |
| 21 | 70871-65170 | *BUTTON | 1 | |
| 22 | 70871-65180 | *COIL SPRING | 1 | |
| 23 | 63907-62170 | THROTTLE CABLE | 1 | |
| 24 | 64902-62310 | TUBE | 1 | |
| 25 | 63907-62210 | MAINSHAFT | 1 | |
| 26 | 19420-00084 | LABEL, TRADE | 1 | |
| 27 | 19402-00090 | LABEL, CAUTION | 1 | |
| 28 | 19402-00223 | LABEL, CAUTION | 1 | |
| 29 | 19404-00033 | LABEL, DECIBEL | 1 | |



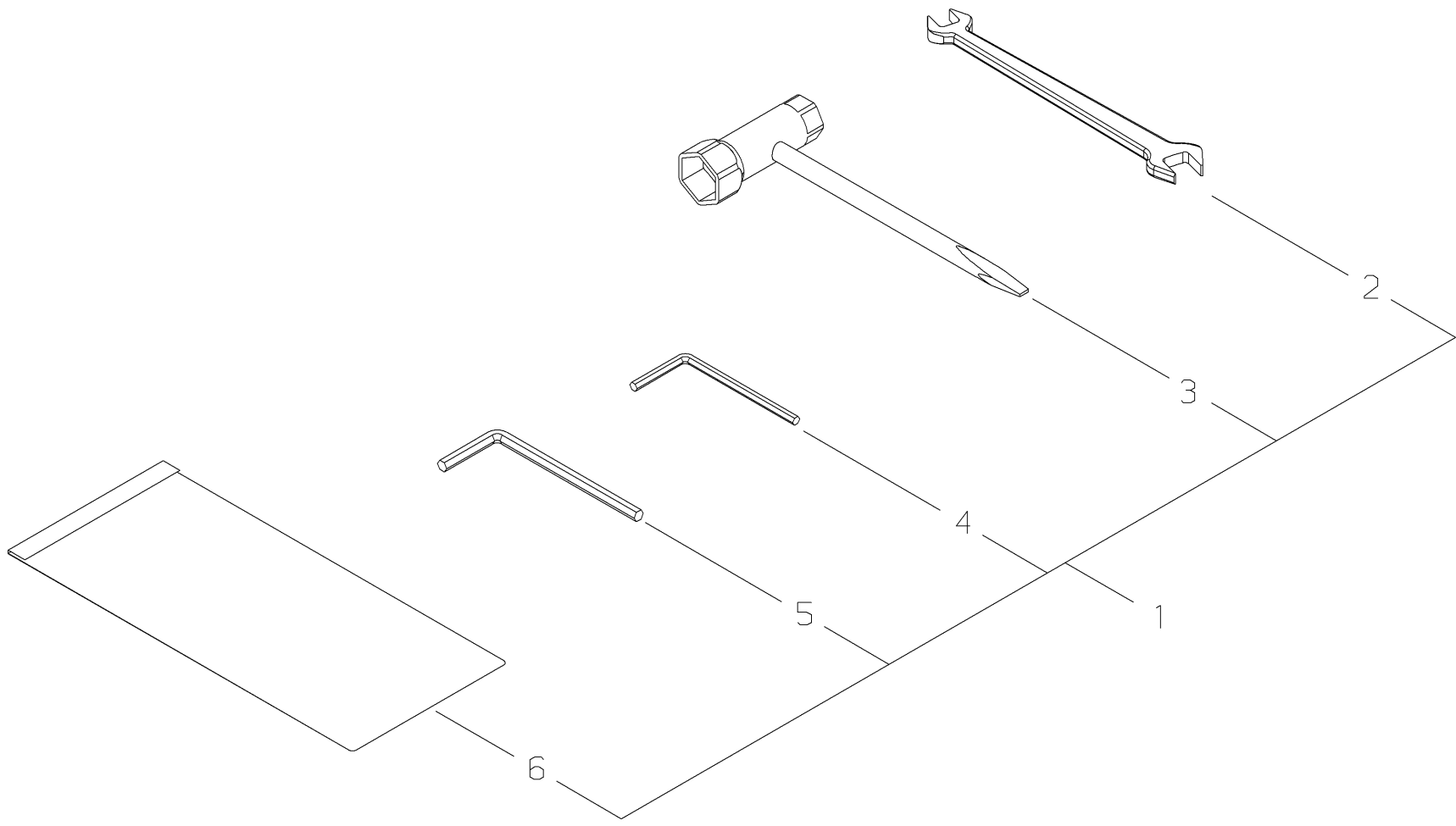
| Ref. No | Part No. | Part Name | Q`ty | Remarks |
|---------|-------------|---------------|------|---------|
| 9- 1 | 63000-63020 | GEARCASE COMP | 1 | |
| 2 | 22024-13112 | *GEARCASE | 1 | |
| 3 | 02046-00609 | *BEARING | 1 | |
| 4 | 02000-06201 | *BEARING | 1 | |
| 5 | 22024-13121 | *OIL SEAL | 1 | |
| 6 | 02432-32120 | *SNAP RING | 1 | |
| 7 | 72435-13210 | *GEAR SHAFT | 1 | |
| 8 | 22024-13220 | *BEVEL GEAR | 1 | |
| 9 | 22000-13230 | *COLLAR | 1 | |
| 10 | 22024-13391 | *PINION SET | 1 | |
| 11 | 02000-06901 | *BEARING | 1 | |
| 12 | 02002-06901 | *BEARING | 1 | |
| 13 | 20000-31140 | *SNAP RING | 1 | |
| 14 | 02432-24120 | *SNAP RING | 1 | |
| 15 | 22015-13410 | *BOLT | 1 | |
| 16 | 22015-13420 | *GASKET | 1 | |
| 17 | 11022-05160 | *BOLT, SPW | 1 | |
| 18 | 11022-06400 | *BOLT, SPW | 1 | |
| 19 | 22011-13450 | *SHIM | 1 | |
| 20 | 72441-16130 | LOWER CLAMP | 1 | |
| 21 | 01613-06100 | WASHER | 1 | |
| 22 | 01500-06051 | NUT | 1 | |
| 23 | 22024-13912 | HOLDER A | 1 | |
| 24 | 63000-63170 | HOLDER | 1 | |
| 25 | 22024-13291 | BOLT GUARD | 1 | |
| 26 | 22000-13512 | BOLT | 1 | |
| 27 | 22000-13530 | SLIDE PIN | 1 | |



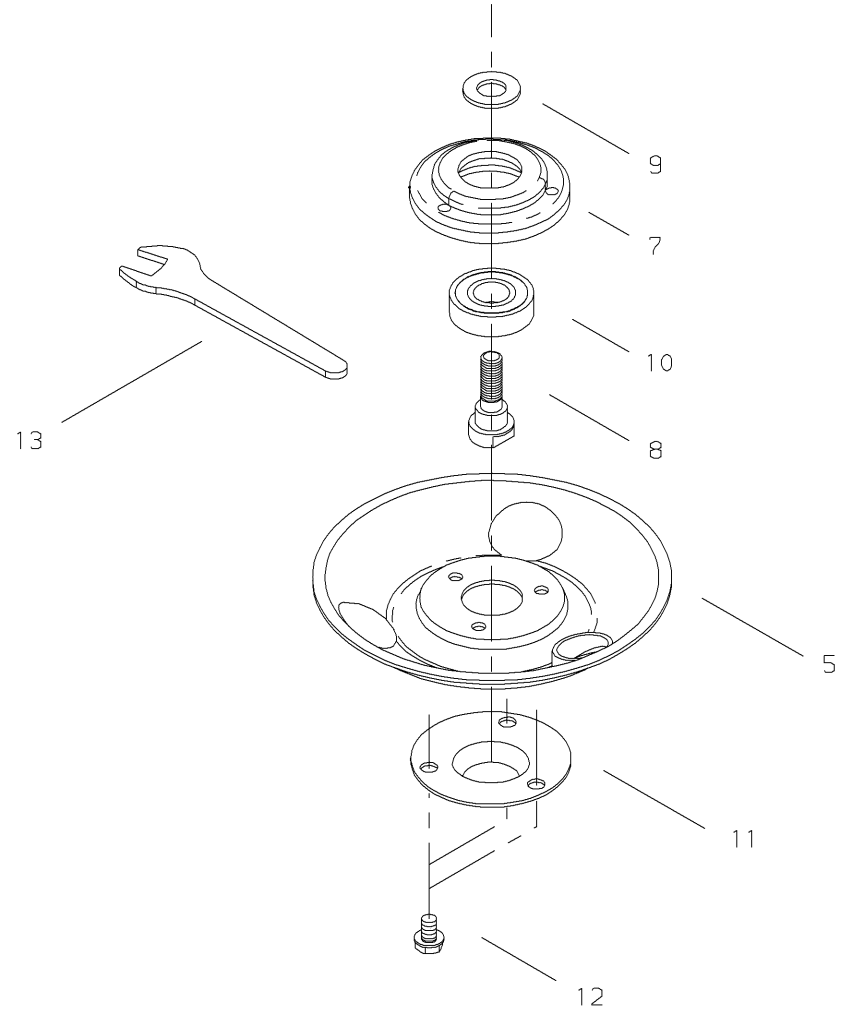
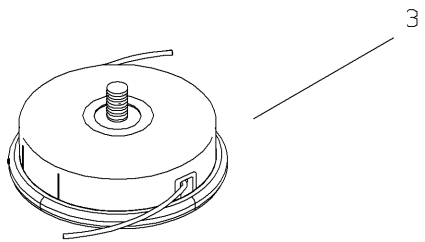
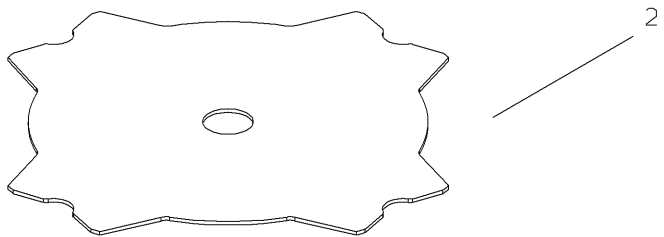
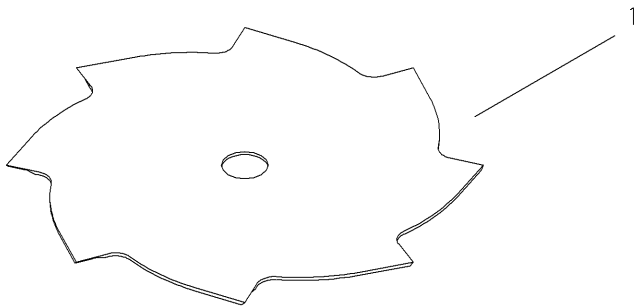
| Ref. No | Part No. | Part Name | Q`ty | Remarks |
|----------------|-----------------|------------------|-------------|----------------|
| 10- 1 | 62074-64011 | HANDLE ASSY | 1 | |
| 2 | 62074-64111 | *HANDLE | 1 | |
| 3 | 62074-64120 | *BARRIER | 1 | |
| 4 | 11022-05350 | *BOLT, SPW | 4 | |
| 5 | 22420-16120 | *NUT | 4 | |



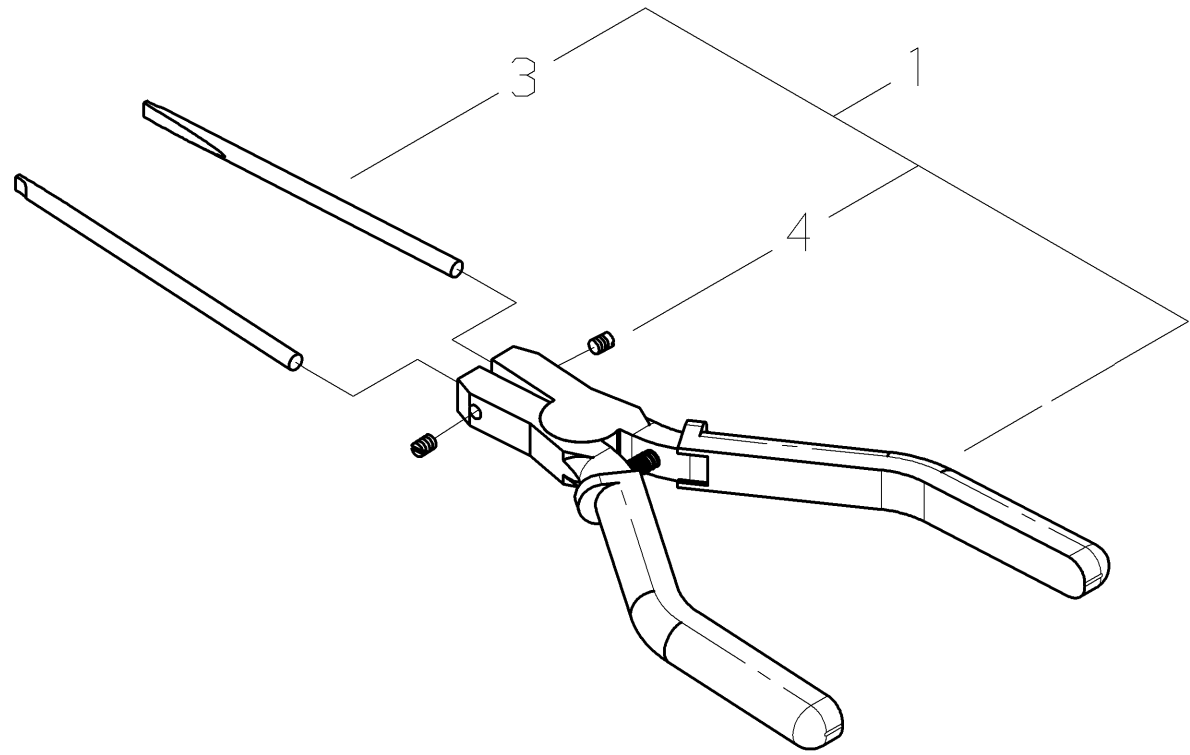
| Ref. No | Part No. | Part Name | Q`ty | Remarks |
|---------|-------------|------------------|------|---------|
| 11- 1 | 64000-66310 | GUARD SET | 1 | |
| 2 | 62903-66110 | *GUARD | 1 | |
| 3 | 62903-66331 | **SUB GUARD ASSY | 1 | |
| 4 | 72480-16121 | **CUTTER | 1 | |
| 5 | 11020-05160 | **BOLT, SW | 2 | |
| 6 | 22420-16120 | **NUT | 2 | |
| 7 | 72480-16210 | *UPPER CLAMP | 1 | |
| 8 | 72441-16220 | *SPACER | 2 | |
| 9 | 11022-05450 | *BOLT, SPW | 4 | |



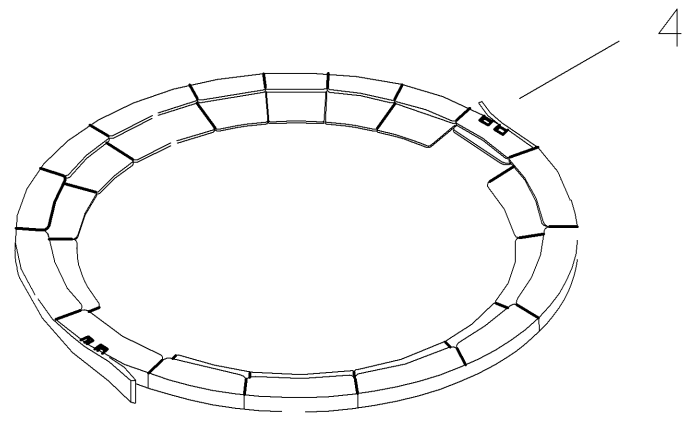
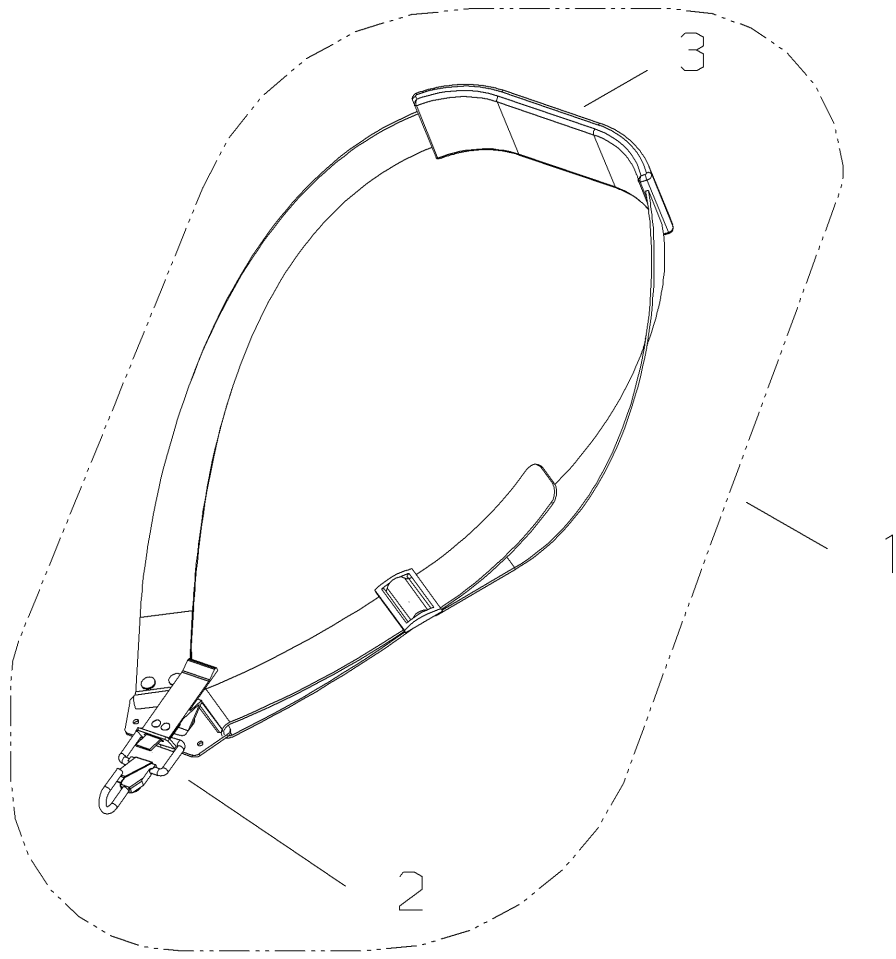
| Ref. No | Part No. | Part Name | Q`ty | Remarks |
|----------------|-----------------|------------------|-------------|----------------|
| 12- 1 | 64902-92310 | TOOL SET | 1 | |
| 2 | 22000-91120 | *SPANNER | 1 | |
| 3 | 22580-91180 | *PLUG WRENCH | 1 | |
| 4 | 09026-04001 | *HEX WRENCH 5MM | 1 | |
| 5 | 09026-05001 | *HEX WRENCH 6MM | 1 | |
| 6 | 19639-01400 | *TOOL BAG | 1 | |



| Ref. No | Part No. | Part Name | Q`ty | Remarks |
|----------------|-----------------|-------------------|-------------|----------------|
| 13- 1 | 60903-98310 | EDDY SAW | 1 | |
| 2 | 60903-98320 | CROSS SAW | 1 | |
| 3 | 78820-15000 | TRIMMER HEAD ASSY | 1 | |
| 5 | 22013-15310 | STABILIZER | 1 | |
| 7 | 22013-15320 | HOLDER | 1 | |
| 8 | 22013-15330 | BEARING SHAFT | 1 | |
| 9 | 22013-15340 | WASHER | 1 | |
| 10 | 02002-06001 | BEARING | 1 | |
| 11 | 22013-15350 | SHAFT COVER | 1 | |
| 12 | 01015-05100 | BOLT, SW | 3 | |
| 13 | 09011-13006 | SPANNER | 1 | |



| Ref. No | Part No. | Part Name | Q`ty | Remarks |
|----------------|-----------------|------------------|-------------|----------------|
| 14- 1 | 60907-98360 | PLIERS | 1 | |
| 3 | 60907-98370 | *ROD | 2 | |
| 4 | 01236-03040 | *SET SCREW | 2 | |



| Ref. No | Part No. | Part Name | Q`ty | Remarks |
|----------------|-----------------|------------------|-------------|----------------|
| 15- 1 | 22421-17202 | STRAP ASSY | 1 | |
| 2 | 22421-17130 | *HOOK | 1 | |
| 3 | 72451-17330 | *PROTECTOR | 1 | |
| 4 | 22550-92310 | *BLADE COVER | 1 | |