

# **shindaiwa**

## **PARTS PRICE LIST**

**T 3 5 0**

### **Shindaiwa Corporation**

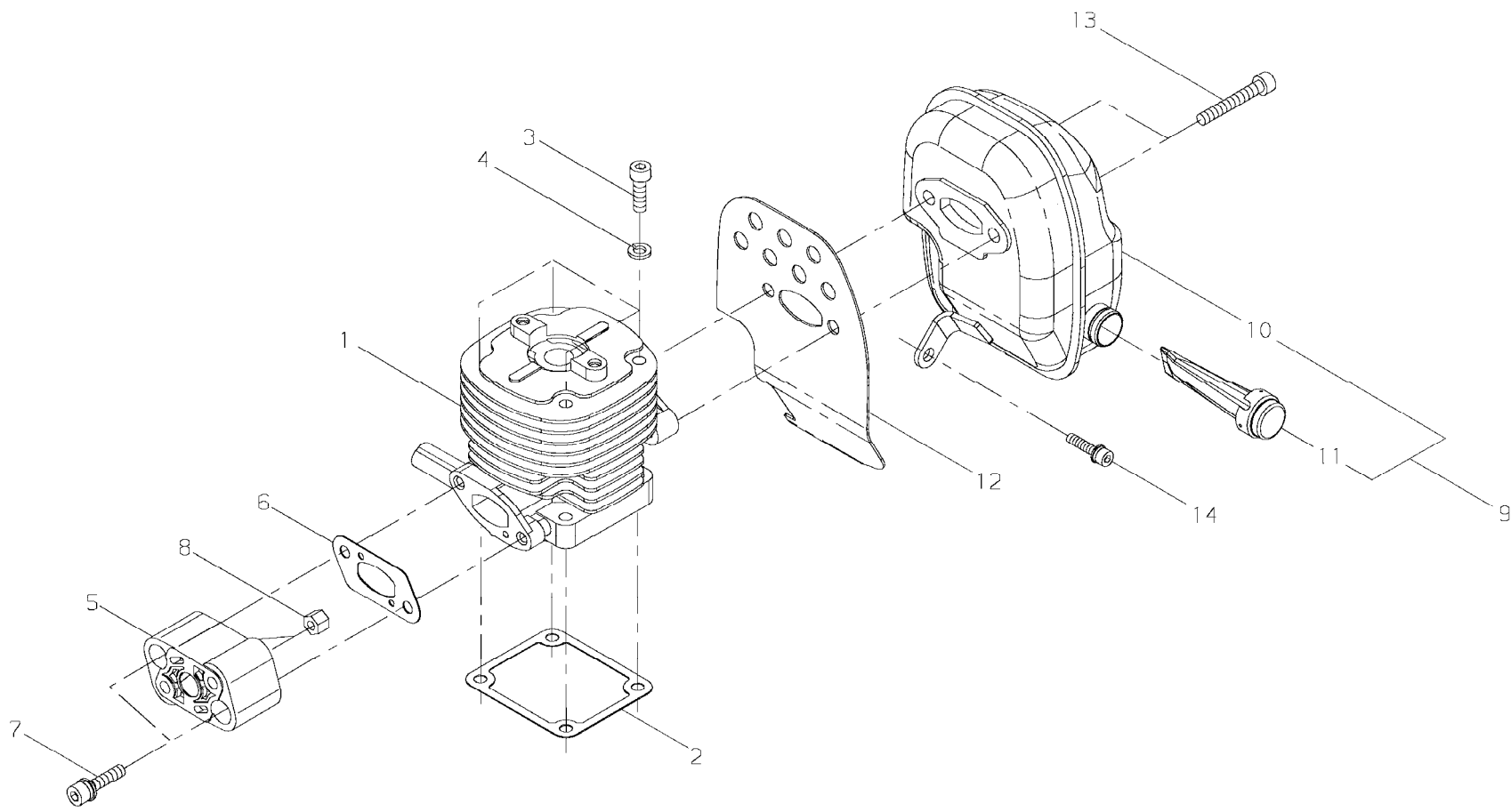
6-2-11,Ozuka-Nishi, Asaminami-ku, Hiroshima, 731-3167, Japan

Telephone (082) 849-2005 Fax (082) 849-2481

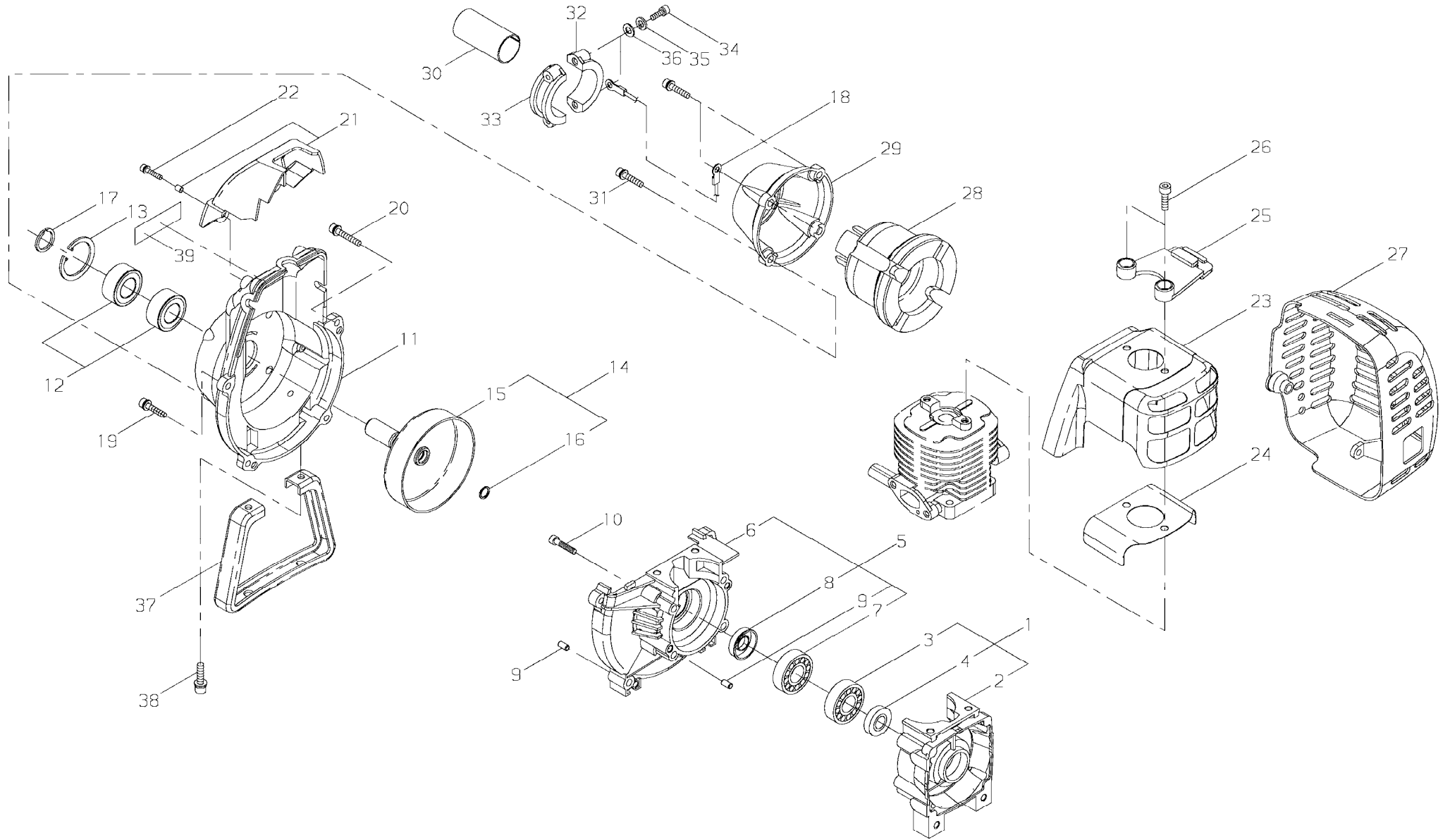
T 3 5 0 / E C 1

M A R . 2 , 2 0 0 9

P r i n t e d i n J a p a n



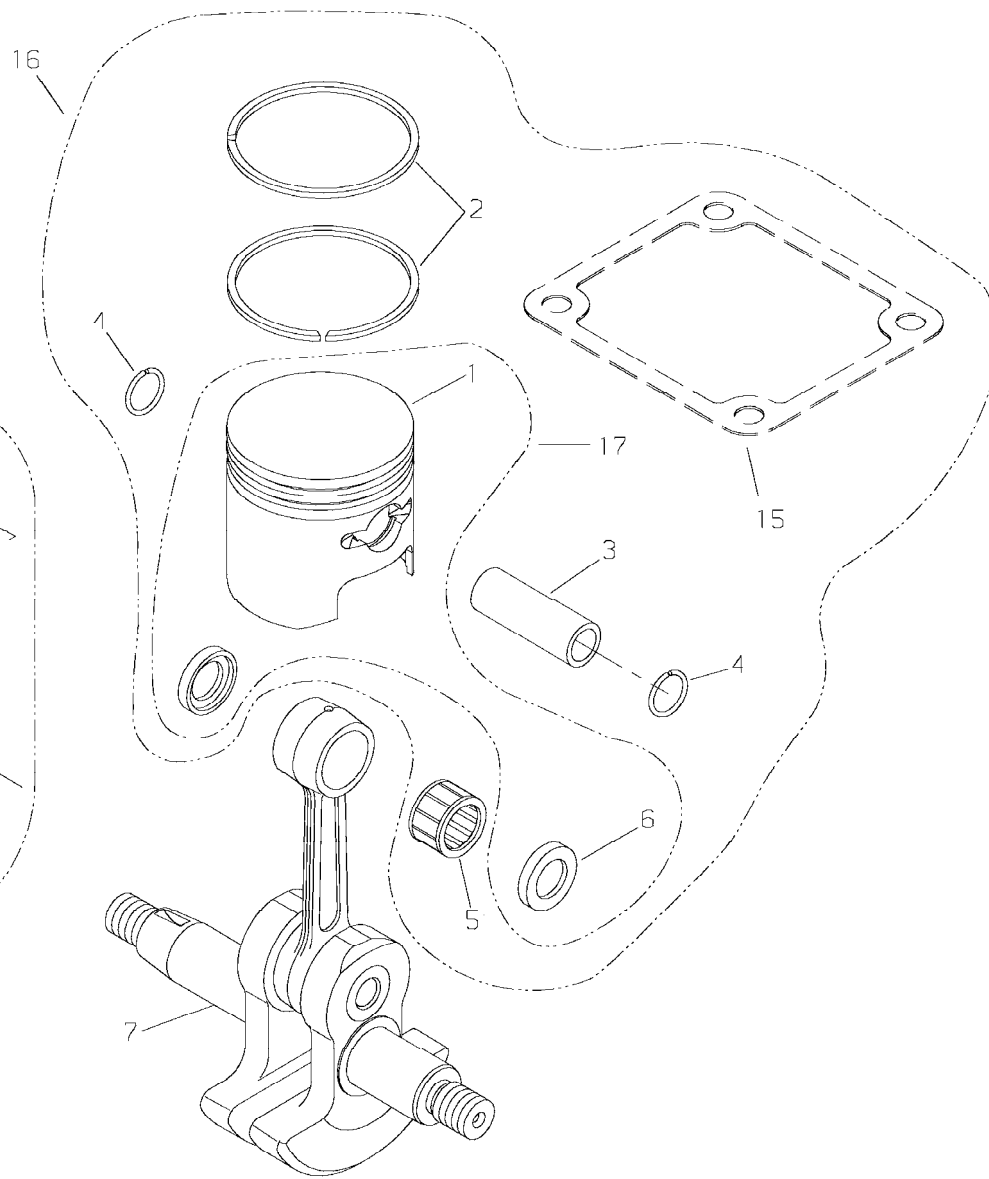
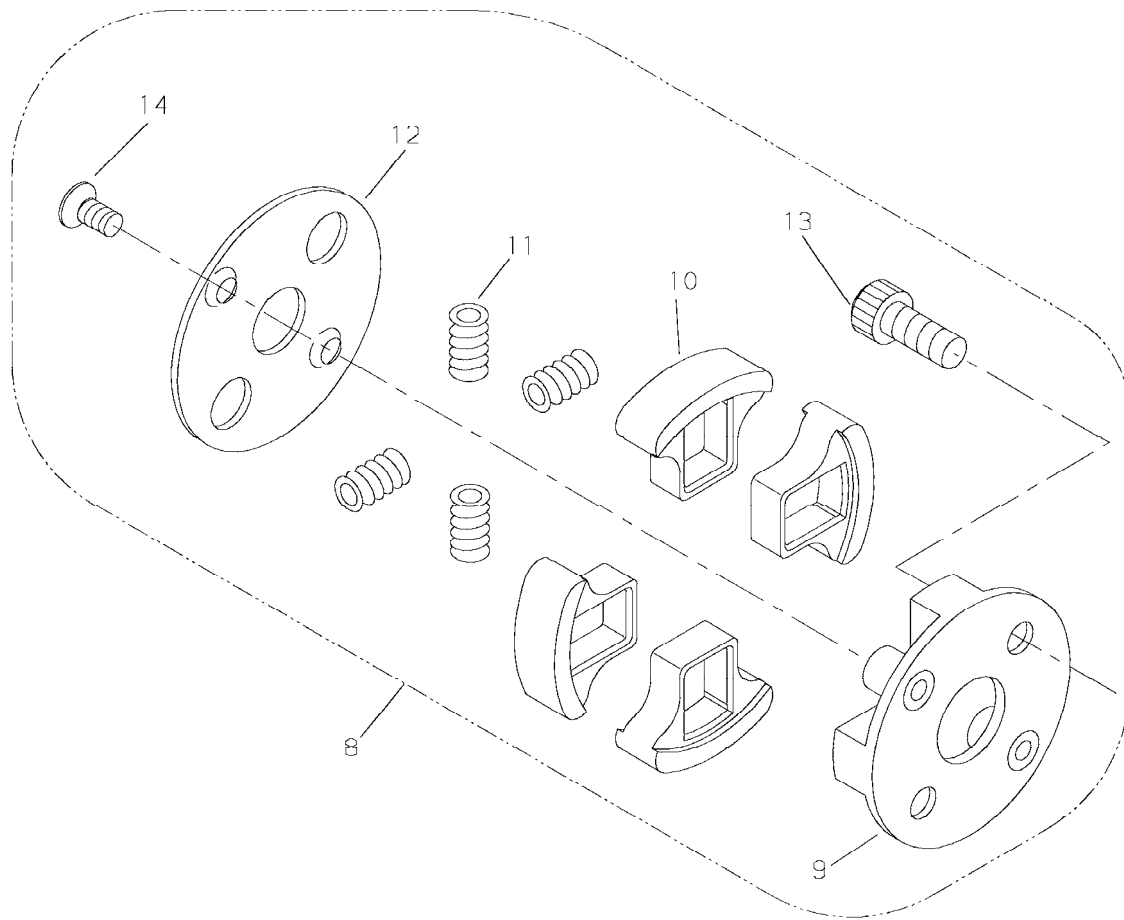




PRICE:(\$)

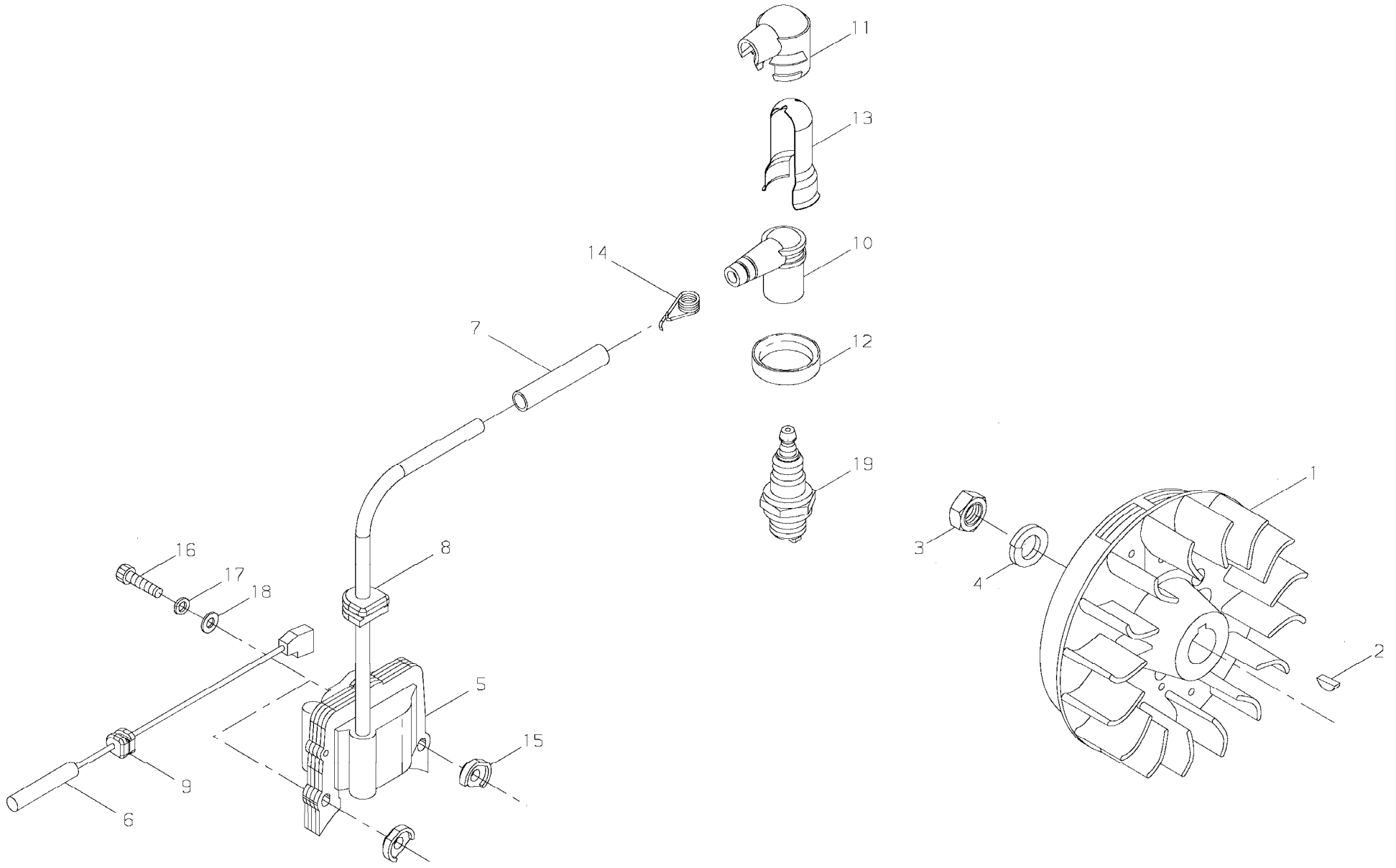
Ref. No.	Part No.	Part Name	Q`ty	Unit Price(\$)	Remarks
2-1	72935-21101	CRANKCASE,S COMP	1		
2	72935-21111	*CRANKCASE,S	1		
3	12900-62020	*BALL BEARING	1		6202,C3
4	20010-21211	*OIL SEAL	1		
5	70062-21200	CRANKCASE,M COMP	1		
6	72921-21121	*CRANKCASE,M	1		
7	12900-62020	*BALL BEARING	1		6202,C3
8	20010-21211	*OIL SEAL	1		
9	12492-50100	*ROLLER	4		φ5xL10
10	01020-05300	BOLT	4		M5x30
11	70012-31111	FAN COVER	1		
12	02006-06002	BALL BEARING	2		6002DDU
13	02432-32120	SNAP RING	1		32mm
14	20011-31200	CLUTCH DRUM COMP	1		
15	20011-31210	CLUTCH DRUM	1		
16	20011-31220	SNAP RING	1		
17	20011-31230	SNAP RING	1		
18	70192-31510	EARTH CORD	1		
19	11022-05200	BOLT-SPW	3		M5x20
20	11022-05300	BOLT-SPW	1		M5x30
21	70131-34100	PROTECTOR COMP	1		
22	11024-04160	BOLT-SLPW	2		M4x16
23	70196-32110	CYLINDER COVER	1		
24	70196-32141	GASKET	1		
25	62104-32310	STAY	1		
26	11022-05180	BOLT-SPW	2		M5x18
27	62104-32321	MUFFLER COVER	1		
28	20011-35110	JOINT	1		
29	70012-35130	CAP	1		
30	70136-35170	SPACER	1		
31	11022-05200	BOLT-SPW	4		M5x20
32	20011-35141	CLAMP,A	1		
33	20011-35151	CLAMP,B	1		
34	01020-05250	BOLT	2		M5x25
35	01600-05131	SPRING WASHER	2		5mm
36	01610-05080	WASHER	2		5mm
37	70200-33112	STAND	1		
38	11022-05160	BOLT-SPW	2		M5x16



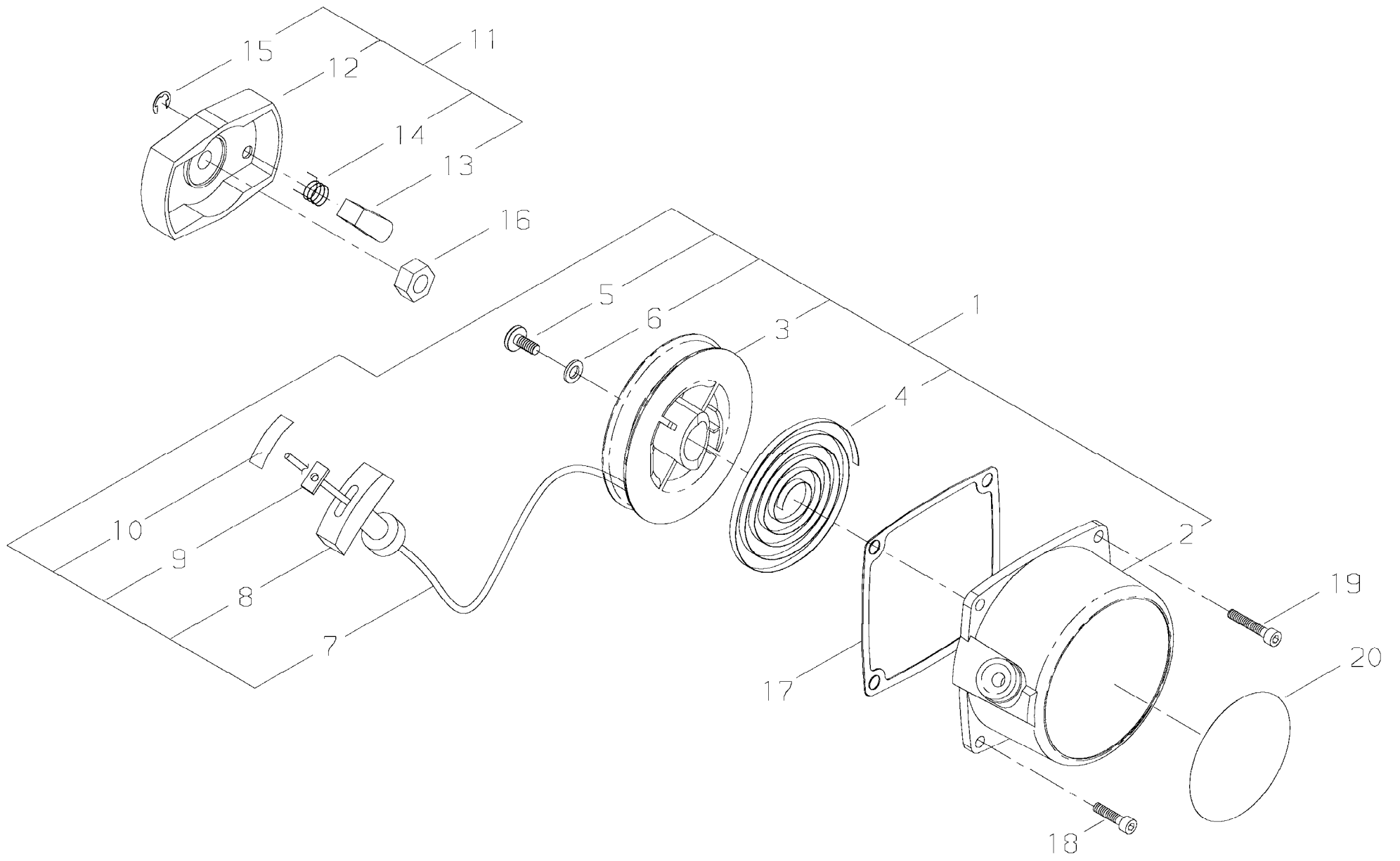




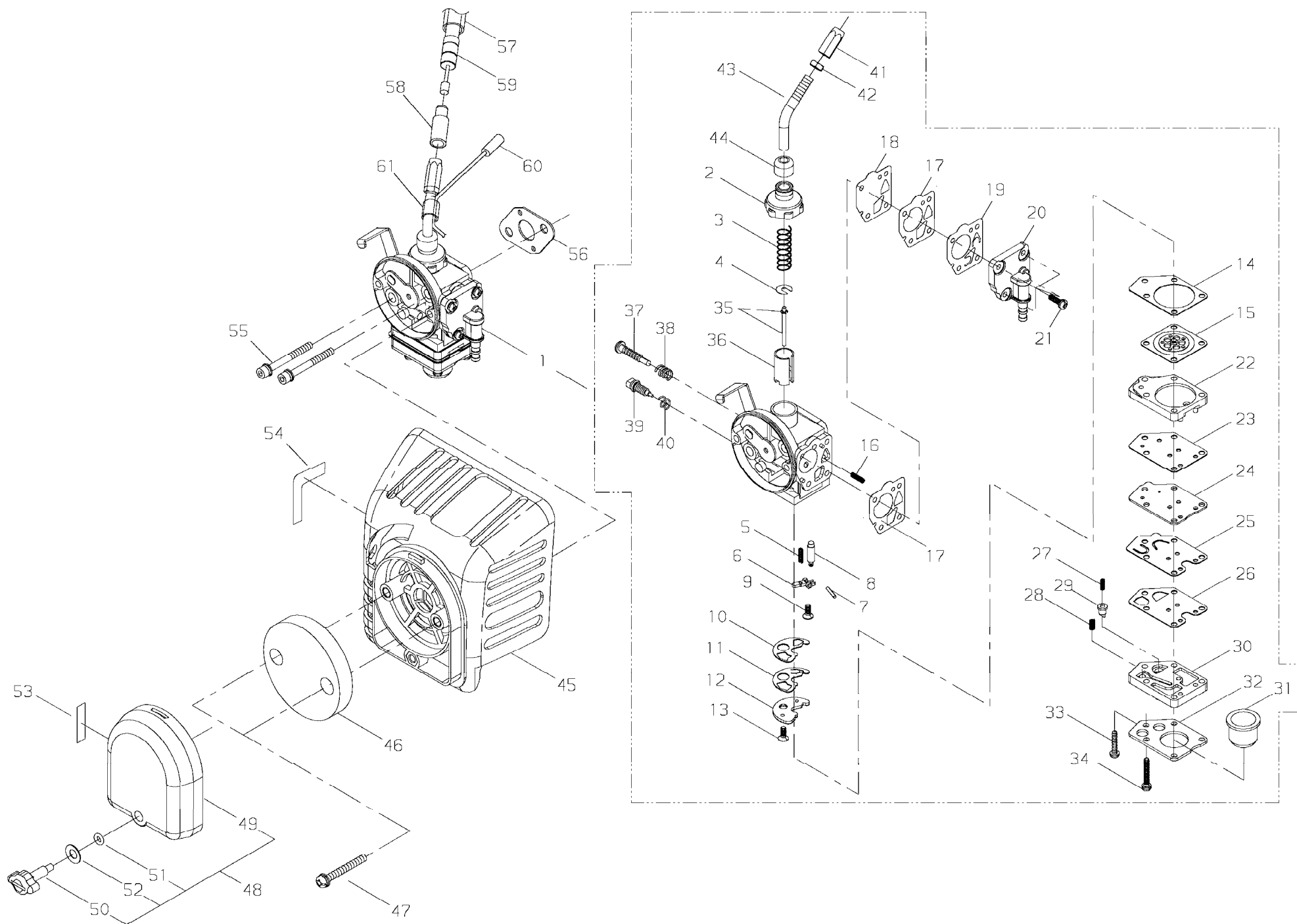












PRICE:(\$)

Ref. No.	Part No.	Part Name	Q`ty	Unit Price(\$)	Remarks
6-1	62102-81010	CARBURETOR ASSY	1		
2	20055-81120	*BODY CAP	1		
3	20003-81140	*SPRING	1		
4	20000-81150	*SPRING RECEIVE	1		
5	20040-81430	*SPRING	1		
6	20011-81451	*LEVER	1		
7	20011-81460	*PIN	1		
8	20000-81441	*NEEDLE VALVE	1		
9	20011-81470	*SCREW	1		
10	20087-81420	*PACKING	1		
11	20087-81411	*CHECK VALVE	1		
12	70200-81430	*PLATE	1		
13	20011-81470	*SCREW	1		
14	20087-81510	*GASKET	1		
15	20087-81520	*DIAPHRAGM	1		
16	20040-81680	*SPRING	2		
17	20011-81630	*GASKET	2		
18	20011-81621	*DIAPHRAGM	1		
19	20087-81660	*PUMP VALVE	1		
20	20087-81641	*PUMP BODY	1		
21	20000-81650	*SCREW	4		
22	20087-81550	*COVER	1		
23	20087-81890	*PACKING	1		
24	20087-81560	*PLATE	1		
25	20087-81571	*CHECK VALVE	1		
26	20087-81540	*GASKET	1		
27	20087-81851	*SPRING	1		
28	20087-81870	*SPRING	1		
29	20087-81861	*VALVE	1		
30	20087-81811	*PUMP BASE	1		
31	20087-81820	*PUMP	1		
32	20087-81830	*PLATE	1		
33	20087-81840	*SCREW	1		
34	20087-81880	*SCREW	4		
35	62102-81320	*JET NEEDLE	1		
36	70131-81180	*THROTTLE VALVE	1		
37	20000-81310	*SLOW STOP SCREW	1		
38	72920-81820	*SPRING	1		



