

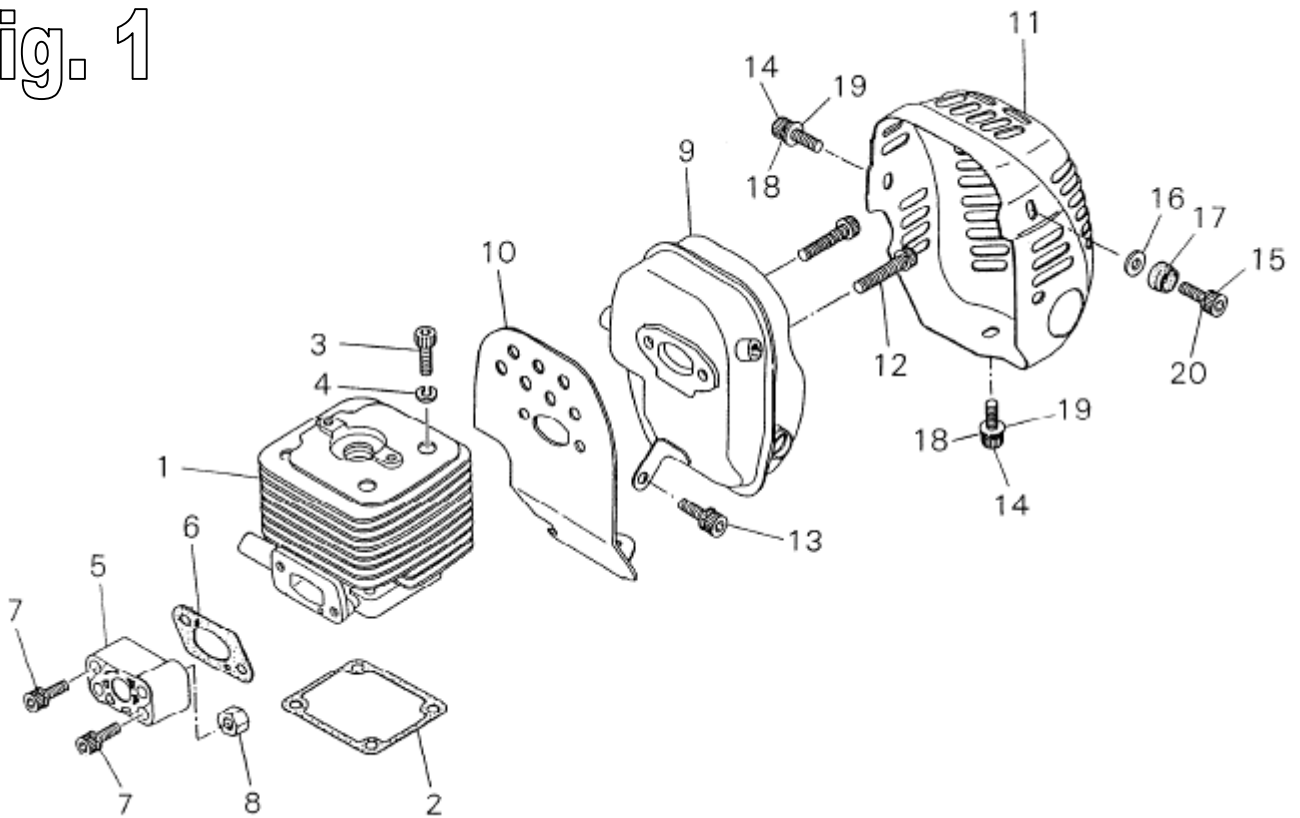
shindaiwa

Decespugliatore

T 450

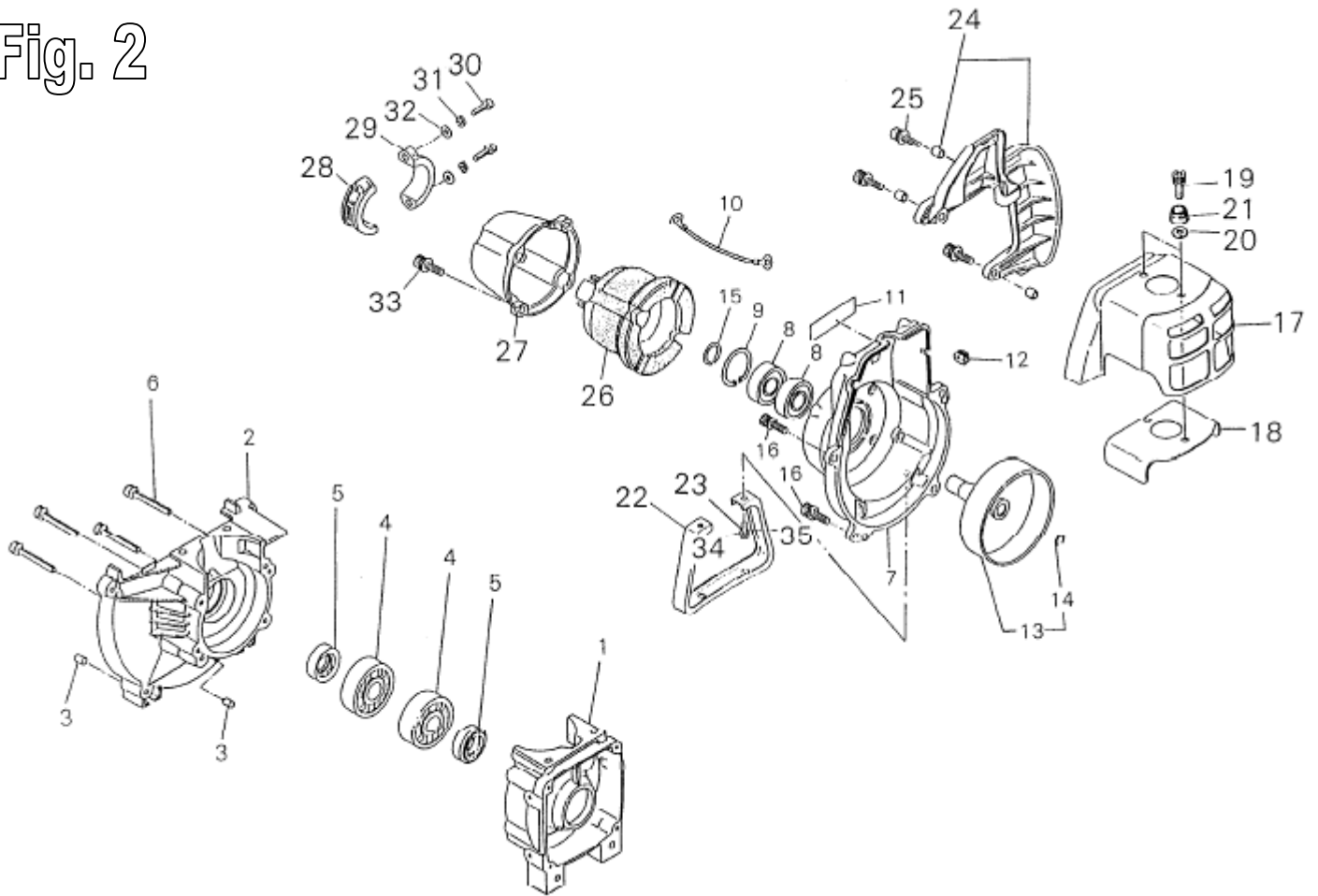
Motore fino a matr. 3032514

Fig. 1



| Ref. No | Part No. | Part Name | Q`ty |
|---------|-------------|----------------|------|
| 1- 1 | 70210-12111 | CYLINDER | 1 |
| 2 | 20010-12120 | GASKETCYLINDER | 1 |
| 3 | 01020-05250 | BOLT | 4 |
| 4 | 01600-05131 | SPRINGWASHER | 4 |
| 5 | 20060-12210 | INSULATOR | 1 |
| 6 | 20011-12220 | GASKET | 1 |
| 7 | 11022-05250 | BOLTSPW | 2 |
| 8 | 20024-12260 | NUT | 2 |
| 9 | 70200-15111 | MUFFLER | 1 |
| 10 | 70210-15211 | GASKET | 1 |
| 11 | 70196-15312 | MUFFLERGUARD | 1 |
| 12 | 01020-06250 | BOLT | 2 |
| 13 | 11024-05120 | BOLTSLPW | 1 |
| 14 | 01020-05105 | BOLT | 2 |
| 15 | 01020-05105 | BOLT | 1 |
| 16 | 70196-32150 | WASHER | 1 |
| 17 | 70196-32160 | COVER | 1 |
| 18 | 01600-05131 | SPRINGWASHER | 2 |
| 19 | 01613-05080 | WASHER | 2 |
| 20 | 01600-05131 | SPRINGWASHER | 1 |

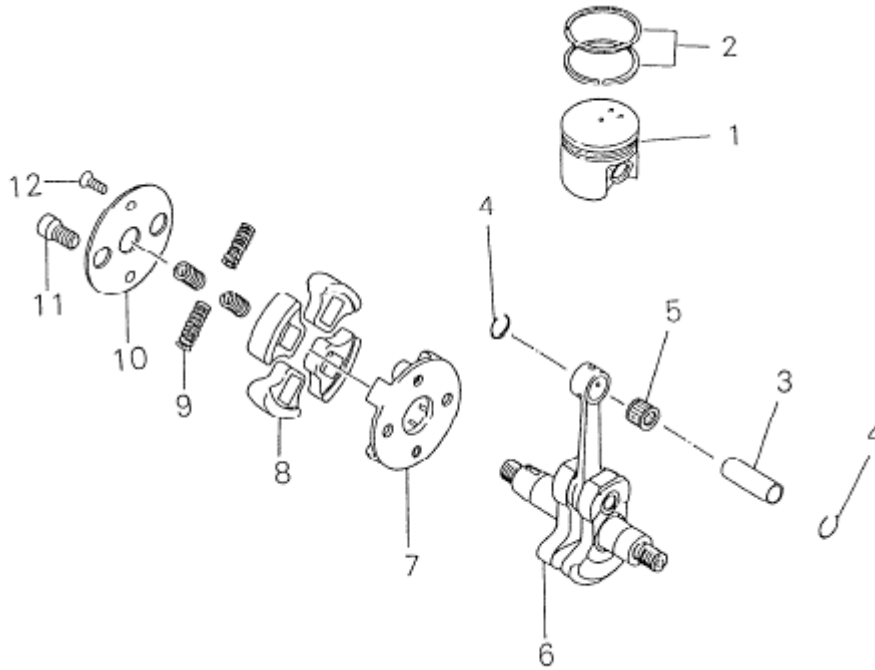
Fig. 2



| Ref. No | Part No. | Part Name | Q`ty |
|---------|-------------|---------------|------|
| 2- | 72540-98310 | CRANKCASEASSY | 1 |
| 1 | 70062-21110 | *CRANKCASES | 1 |
| 2 | 72921-21121 | *CRANKCASEM | 1 |
| 3 | 12492-50100 | *ROLLER | 4 |
| 4 | 12900-62020 | *BEARING | 2 |
| 5 | 20010-21211 | *OILSEAL | 2 |
| 6 | 01020-05300 | *BOLT | 4 |
| 7 | 70012-31111 | FANCOVER | 1 |
| 8 | 02006-06002 | BEARING | 2 |
| 9 | 02432-32120 | SNAPRING | 1 |
| 10 | 70192-31510 | EARTHCORD | 1 |
| 11 | 70229-31150 | LABELTRADE | 1 |
| 12 | 20011-72120 | GROMMET | 1 |
| 13 | 20021-31200 | CLUTCHDRUMSET | 1 |
| 14 | 20021-31220 | *SNAPRING | 1 |
| 15 | 20011-31230 | SNAPRING | 1 |
| 16 | 11022-05200 | BOLTSPW | 4 |
| 17 | 70210-32111 | CYLINDERCOVER | 1 |
| 18 | 70196-32141 | GASKET | 1 |
| 19 | 11020-05140 | BOLTSW | 2 |
| 20 | 70196-32150 | WASHER | 2 |
| 21 | 70196-32160 | COVER | 2 |
| 22 | 70200-33112 | STAND | 1 |

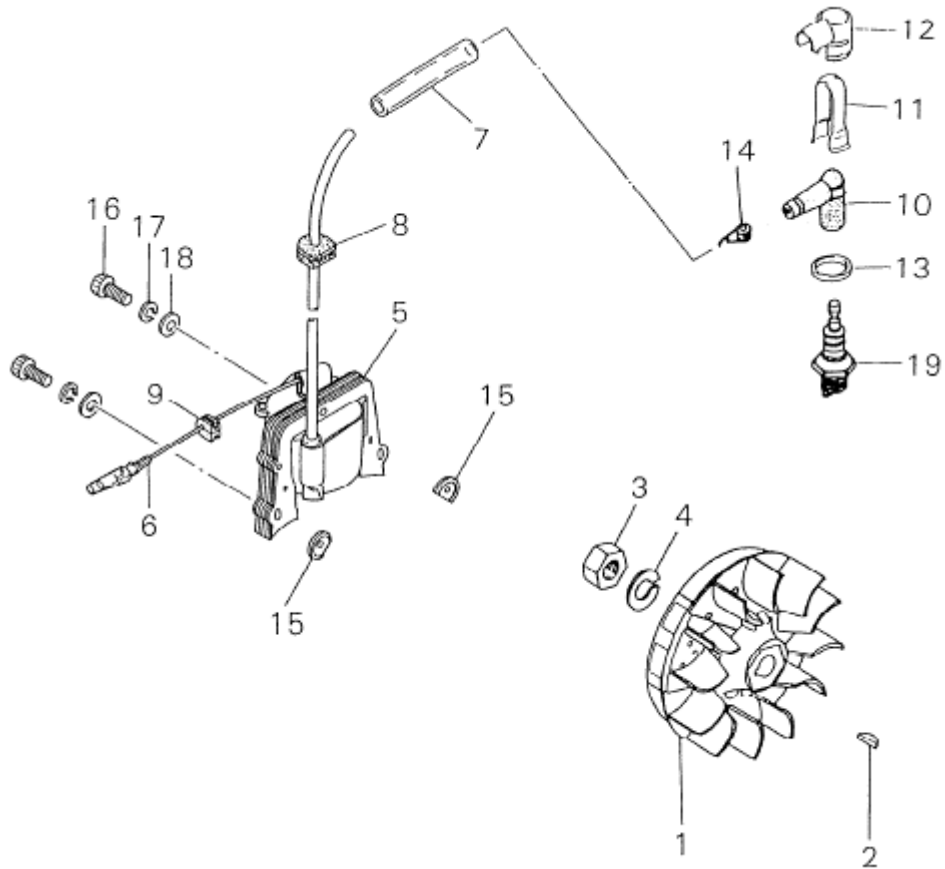
| | | | |
|----|-------------|---------------|---|
| 23 | 01020-05200 | BOLT | 2 |
| 34 | 01600-05131 | SPRINGWASHER | 2 |
| 35 | 01613-05080 | WASHER | 2 |
| 24 | 20011-34100 | PROTECTORASSY | 1 |
| 25 | 11024-04160 | BOLTSLPW | 3 |
| 26 | 20011-35110 | JOINT | 1 |
| 27 | 70012-35130 | CAPJOINT | 1 |
| 28 | 20011-35141 | CLAMPA | 1 |
| 29 | 20011-35151 | CLAMPB | 1 |
| 30 | 01020-05250 | BOLT | 2 |
| 31 | 01600-05131 | SPRINGWASHER | 2 |
| 32 | 01610-05080 | WASHER | 2 |
| 33 | 11022-05200 | BOLTSPW | 4 |

Fig. 3



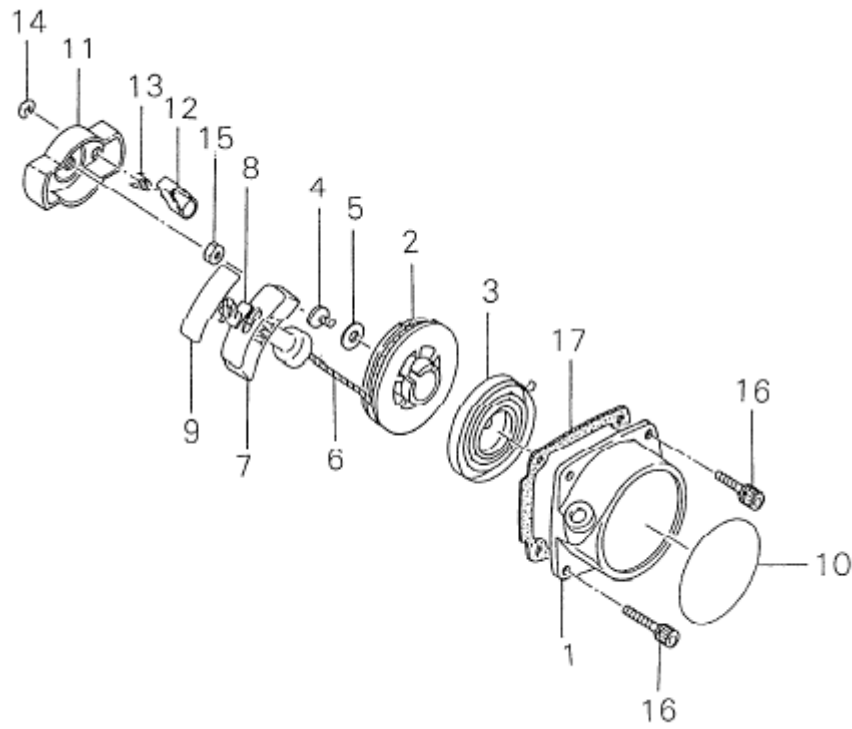
| Ref. No | Part No. | Part Name | Q`ty |
|---------|-------------|----------------|------|
| 3- 1 | 70210-41110 | PISTON | 1 |
| 2 | 22182-41210 | PISTONRING | 2 |
| 3 | 22160-41220 | PISTONPIN | 1 |
| 4 | 22100-41230 | SNAPRING | 2 |
| 5 | 22160-41240 | BEARINGSE | 1 |
| 6 | 70210-42000 | CRANKSHAFTASSY | 1 |
| | 70210-51100 | CLUTCHSHOEASSY | 1 |
| 7 | 20020-51112 | *CLUTCHBOSS | 1 |
| 8 | 20020-51121 | *CLUTCHSHOE | 4 |
| 9 | 20020-51131 | *SPRING | 4 |
| 10 | 20020-51140 | *PLATE | 1 |
| 11 | 20020-51150 | *CLUTCHBOLT | 2 |
| 12 | 70210-51160 | *SCREWFLAT | 2 |

Fig. 4



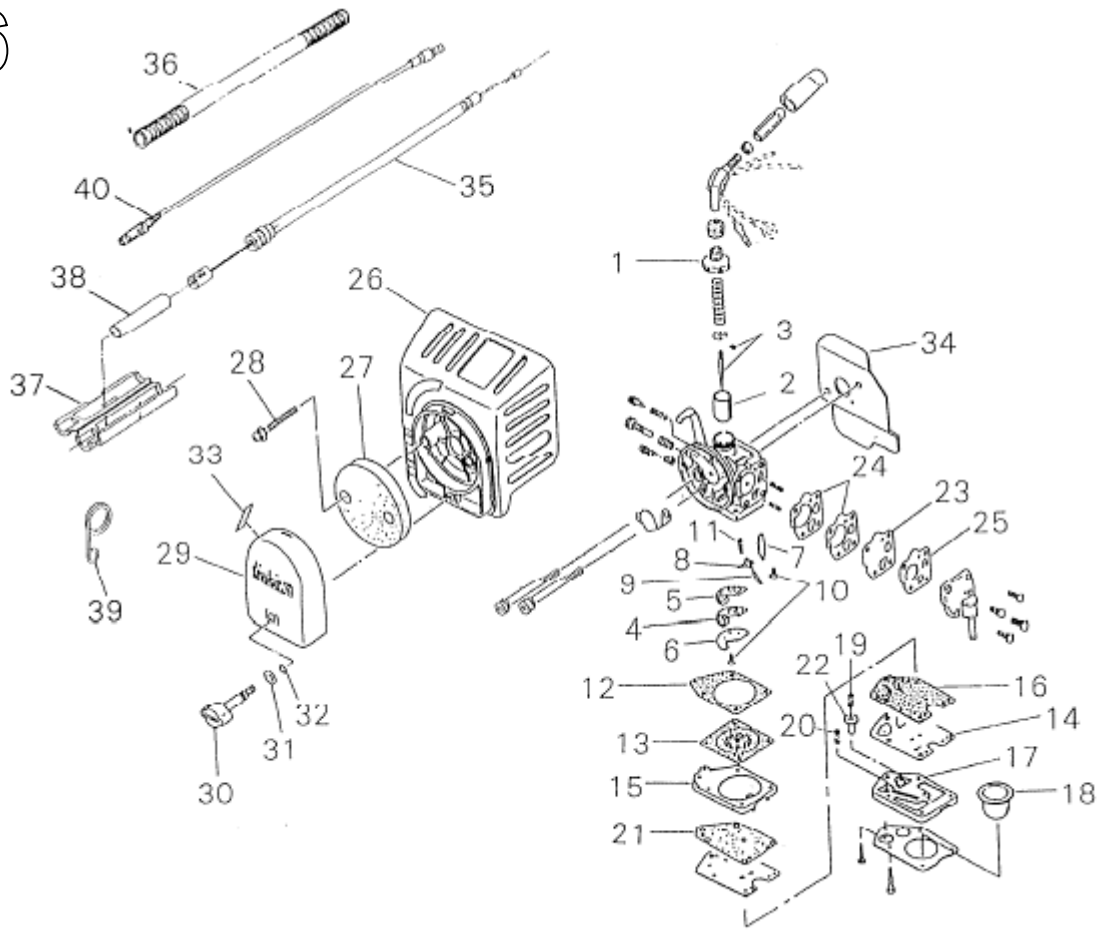
| Ref. No | Part No. | Part Name | Q`ty |
|---------|-------------|----------------|------|
| 4- 1 | 70200-71200 | ROTOR | 1 |
| 2 | 02403-03100 | KEY | 1 |
| 3 | 01511-10061 | NUT | 1 |
| 4 | 01600-10251 | SPRINGWASHER | 1 |
| 5 | 70200-71610 | COIL | 1 |
| 6 | 70200-71640 | CORD | 1 |
| 7 | 20011-71660 | TUBE | 1 |
| 8 | 20011-72110 | GROMMET | 1 |
| 9 | 20011-72120 | GROMMET | 1 |
| 10 | 20010-72221 | PLUGCAP | 1 |
| 11 | 70180-72260 | SHIELD | 1 |
| 12 | 20000-72241 | PLUGCAPCOVER | 1 |
| 13 | 20000-72250 | COVERBAND | 1 |
| 14 | 20000-72230 | SPRINGSARKPLUG | 1 |
| 15 | 20010-71631 | SPACERCOIL | 2 |
| 16 | 01020-04240 | BOLT | 2 |
| 17 | 01600-04101 | SPRINGWASHER | 2 |
| 18 | 20010-71650 | WASHER | 2 |
| 19 | 13000-13406 | SPARKPLUGBMR6A | 1 |

Fig. 5



| Ref. No | Part No. | Part Name | Q`ty |
|---------|-------------|----------------------|------|
| 5- | 70131-75100 | RECOILSTARTERSUBASSY | 1 |
| 1 | 70131-75110 | *STARTERCASE | 1 |
| 2 | 70131-75120 | *REEL | 1 |
| 3 | 20024-75130 | *RECOILSPRING | 1 |
| 4 | 20035-75170 | *SCREW | 1 |
| 5 | 70131-75140 | *WASHER | 1 |
| 6 | 20020-75180 | *ROPE | 1 |
| 7 | 20010-75190 | *STARTERKNOB | 1 |
| 8 | 20010-75210 | *STOPPER | 1 |
| 9 | 20010-75230 | *TAPE | 1 |
| 10 | 19420-00027 | *LABELTRADE | 1 |
| | 70131-75200 | STARTERPULLYASSY | 1 |
| 11 | 70131-75211 | *STARTERPULLEY | 1 |
| 12 | 20024-75220 | *RATCHET | 1 |
| 13 | 20024-75230 | *RETURNSPRING | 1 |
| 14 | 20024-75240 | *ERING | 1 |
| 15 | 20000-76210 | NUT | 1 |
| 16 | 11022-04160 | BOLTSPW | 4 |
| 17 | 20020-76110 | GASKETSTARTER | 1 |

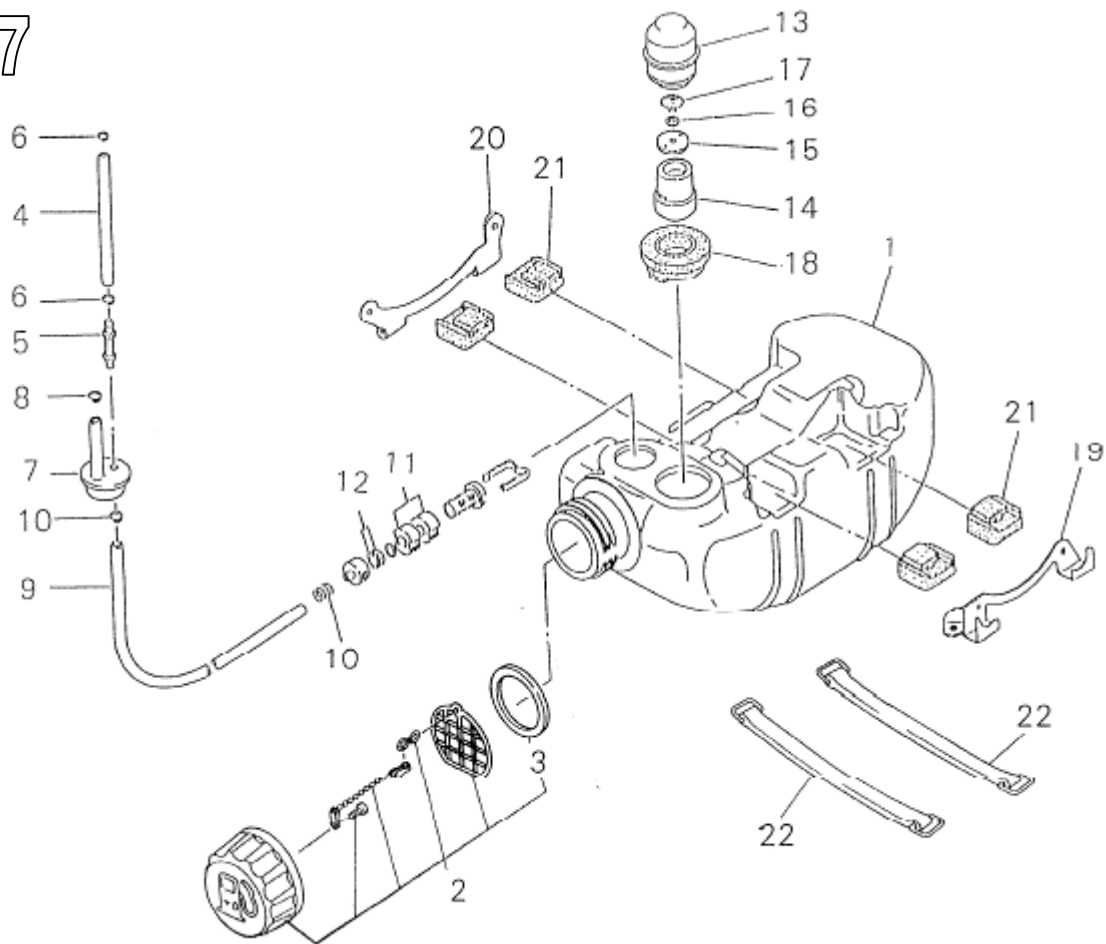
Fig. 6



| Ref. No | Part No. | Part Name | Q`ty |
|---------|-------------|-----------------------|------|
| 6- | 70210-81021 | CARBURETORBODYSUBASSY | 1 |
| 1 | 20055-81120 | *BODYCAP | 1 |
| 2 | 70131-81180 | *THROTTLEVALVE | 1 |
| 3 | 70200-81170 | *JETNEEDLE | 1 |
| 4 | 20087-81411 | *CHECKVALVE | 1 |
| 5 | 20087-81420 | *PACKING | 1 |
| 6 | 70200-81430 | *PLATE | 1 |
| 7 | 20000-81441 | *NEEDLEVALVE | 1 |
| 8 | 20011-81451 | *LEVER | 1 |
| 9 | 20011-81460 | *PIN | 1 |
| 10 | 20011-81470 | *SCREW | 2 |
| 11 | 20040-81430 | *SPRING | 1 |
| 12 | 20087-81510 | *GASKET | 1 |
| 13 | 20087-81520 | *DIAPHRAGM | 1 |
| 14 | 20087-81540 | *GASKET | 1 |
| 15 | 20087-81550 | *COVER | 1 |
| 16 | 20087-81571 | *CHECKVALVE | 1 |
| 17 | 20087-81811 | *PUMPBASE | 1 |
| 18 | 20087-81820 | *PUMP | 1 |
| 19 | 20087-81830 | *PLATE | 1 |
| 20 | 20087-81840 | *SCREW | 1 |
| 21 | 20087-81890 | *PACKING | 1 |

| | | | |
|----|-------------|------------------|---|
| 22 | 20087-81861 | *VALVE | 1 |
| 23 | 20011-81621 | *DIAPHRAGM | 1 |
| 24 | 20011-81630 | *GASKET | 2 |
| 25 | 20087-81660 | *PUMPVALVE | 1 |
| 26 | 70102-81710 | CLEANERBODY | 1 |
| 27 | 20056-81740 | FILTER | 1 |
| 28 | 11260-04250 | SCREWPMPLPW | 2 |
| 29 | 20060-81770 | CLEANERCOVER | 1 |
| 30 | 20060-81781 | KNOBCLEANERCOVER | 1 |
| 31 | 20024-81790 | CONEWASHER | 1 |
| 32 | 22100-82430 | ORING | 1 |
| 33 | 19404-00008 | LABELCHOKE | 1 |
| 34 | 20021-83410 | GASKETCARBURETOR | 1 |
| 35 | 70229-83110 | THROTTLECABLE | 1 |
| 36 | 70229-83140 | TUBE | 1 |
| 37 | 20037-82120 | CONNECTOR | 1 |
| 38 | 20037-82130 | SLEEVE | 1 |
| 39 | 70229-83150 | CABLEHOLDER | 1 |
| 40 | 70229-83130 | EARTHCORD | 1 |

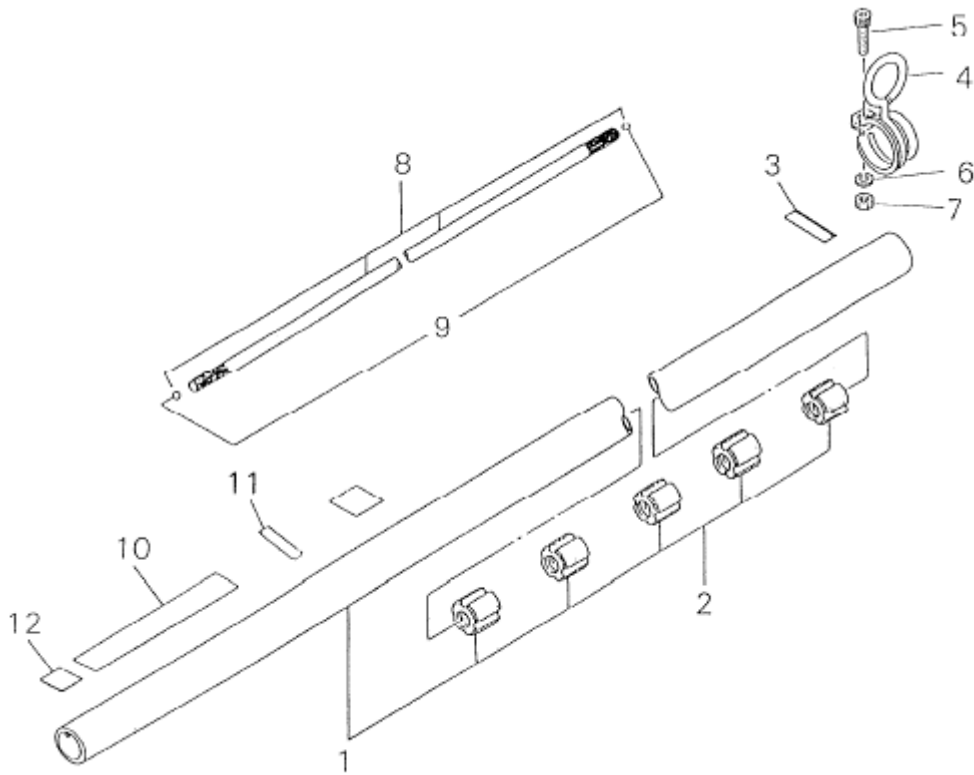
Fig. 7



| Ref. No | Part No. | Part Name | Q`ty |
|---------|-------------|-------------------|------|
| 7- 1 | 70200-85110 | FUELTANK | 1 |
| 2 | 70168-85201 | FUELCAPASSY | 1 |
| 3 | 20000-85221 | *GASKET | 1 |
| 4 | 70200-85310 | FUELPIPE | 1 |
| 5 | 72935-85330 | JOINT | 1 |
| 6 | 20020-85540 | CLIP | 2 |
| 7 | 70200-85350 | GROMMET | 1 |
| 8 | 20020-85540 | CLIP | 1 |
| 9 | 70200-85320 | FUELPIPE | 1 |
| 10 | 20020-85540 | CLIP | 2 |
| | 22169-35400 | FUELFILTERSUBASSY | 1 |
| 11 | 22169-35420 | *FILTER | 2 |
| 12 | 22118-85460 | *SCREEN | 2 |
| | 20000-85500 | BREATHERSUBASSY | 1 |
| 13 | 20000-85511 | *CAPBREATHER | 1 |
| 14 | 20000-85521 | *HOLDERVERVALVE | 1 |
| 15 | 22100-85240 | *RETAINERFUEL | 1 |
| 16 | 22100-85250 | *WASHERFUEL | 1 |
| 17 | 22100-85260 | *VALVEFUEL | 1 |
| 18 | 20000-85579 | GROMMETBREATHER | 1 |
| 19 | 20021-86110 | BRACKETS | 1 |
| 20 | 20011-86120 | BRACKETM | 1 |

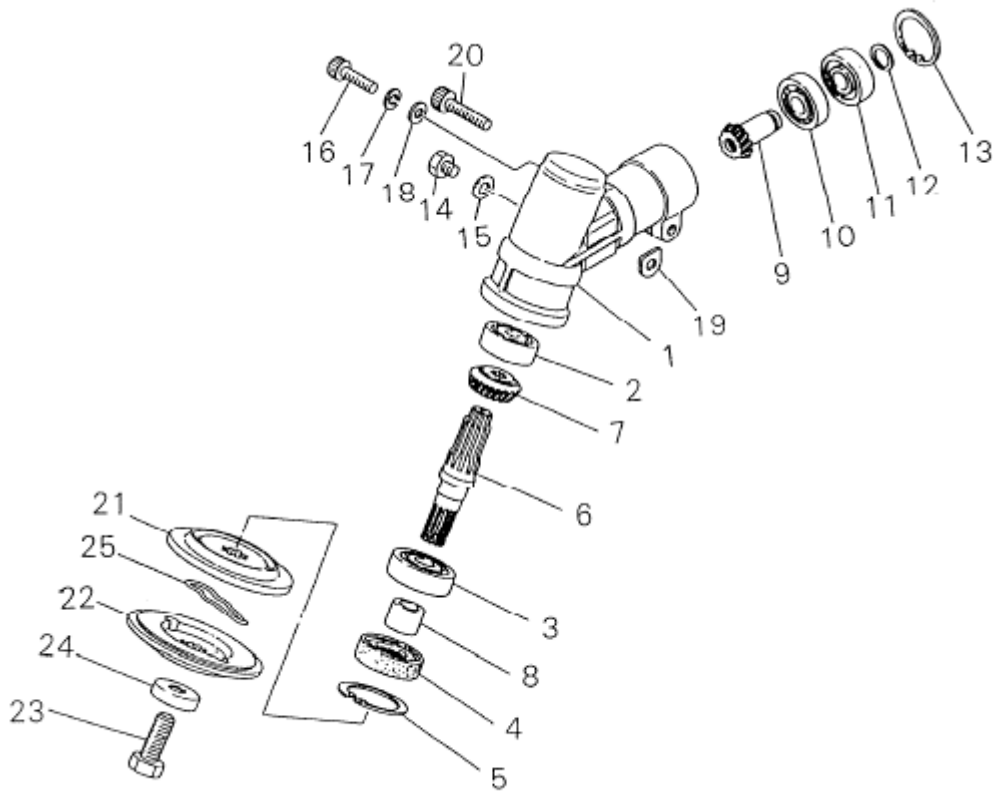
| | | | |
|----|-------------|---------|---|
| 21 | 20010-86130 | CUSHION | 4 |
| 22 | 20010-86140 | BAND | 2 |

Fig. 8



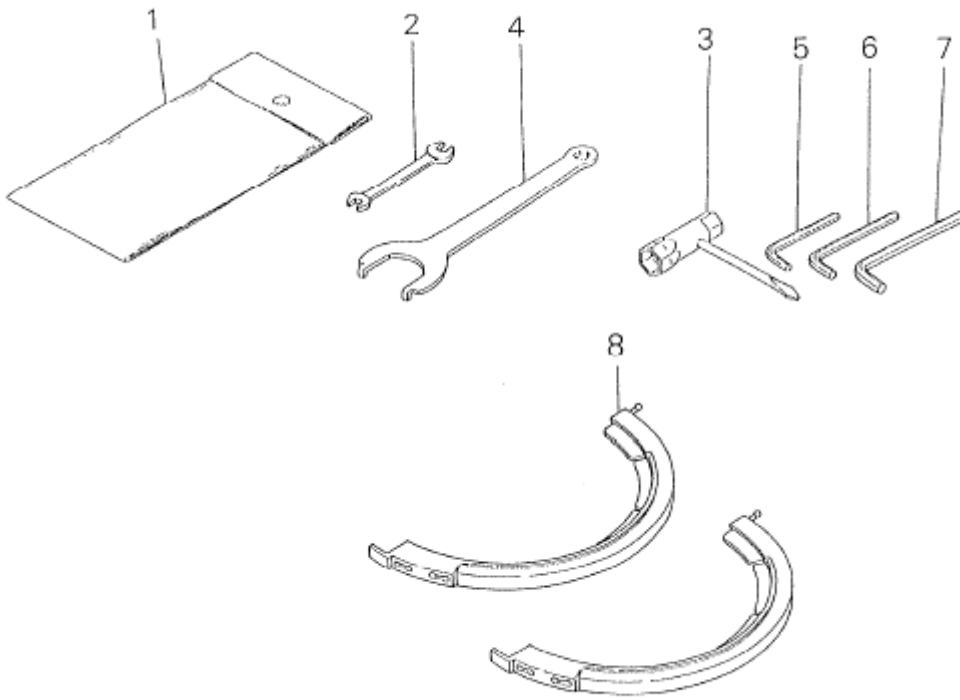
| Ref. No | Part No. | Part Name | Q`ty |
|---------|-------------|------------------|------|
| 8- 1 | 72551-12101 | OUTERPIPESUBASSY | 1 |
| 2 | 22021-12120 | *BUSHING | 5 |
| 3 | 72005-12140 | *CAUTIONPLATE | 1 |
| 11 | 72017-12150 | *HANDLELABEL | 1 |
| 4 | 22017-12210 | HANGER | 1 |
| 5 | 01020-05120 | BOLT | 1 |
| 6 | 01600-05131 | SPRINGWASHER | 1 |
| 7 | 01500-05041 | NUT | 1 |
| 8 | 72550-12400 | MAINSHAFTSUBASSY | 1 |
| 9 | 22021-12420 | *STOPPER | 1 |
| 10 | 19422-00010 | LABELCAUTION | 1 |
| 12 | 19402-00223 | LABELCAUTION | 1 |

Fig. 9



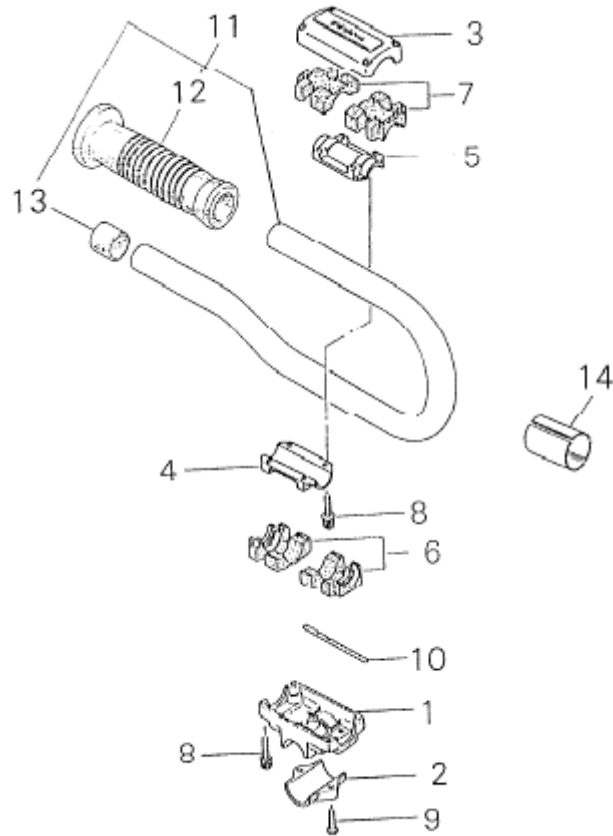
| Ref. No | Part No. | Part Name | Q`ty |
|---------|-------------|-----------------|------|
| 9- | 72080-13010 | GEARCASESUBASSY | 1 |
| 1 | 72017-13111 | *GEARCASE | 1 |
| 2 | 02006-06000 | *BEARING | 1 |
| 3 | 02000-06202 | *BEARING | 1 |
| 4 | 22015-13120 | *OILSEAL | 1 |
| 5 | 02432-35150 | *SNAPRING | 1 |
| 6 | 22015-13210 | *GEARSHAFT | 1 |
| 7 | 22015-13220 | *BEVELGEAR | 1 |
| 8 | 22015-13230 | *COLLAR | 1 |
| 9 | 22021-13390 | *PINIONSET | 1 |
| 10 | 02000-06001 | *BEARING | 1 |
| 11 | 02002-06001 | *BEARING | 1 |
| 12 | 20000-31140 | *SNAPRING | 1 |
| 13 | 02432-28120 | *SNAPRING | 1 |
| 14 | 22015-13410 | *BOLT | 1 |
| 15 | 22015-13420 | *GASKET | 1 |
| 16 | 11022-06140 | *BOLTSPW | 1 |
| 18 | 01610-06080 | *WASHER | 1 |
| 19 | 22011-13450 | *SHIM | 1 |
| 20 | 11022-06280 | *BOLTSPW | 1 |
| 21 | 22015-13241 | HOLDERA | 1 |
| 22 | 22015-13251 | HOLDERB | 1 |
| 23 | 22015-13261 | BOLT | 1 |
| 24 | 22015-13270 | BOLTGUARD | 1 |
| 25 | 22015-13290 | SLIDEPIN | 1 |

Fig. 10



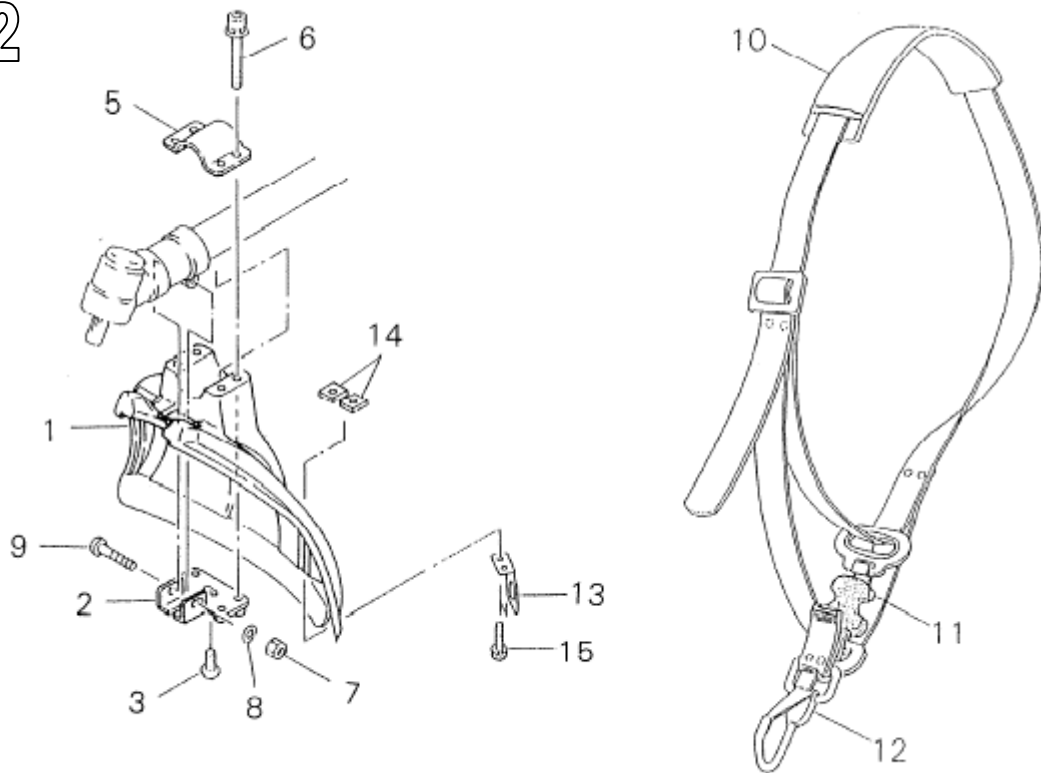
| Ref. No | Part No. | Part Name | Q`ty |
|---------|-------------|--------------|------|
| 10- | 72518-91000 | TOOLSET | 1 |
| 2 | 22000-91120 | *SPANNER | 1 |
| 3 | 72518-91180 | *WRENCH17X19 | 1 |
| 4 | 22011-97130 | *SPANNERD | 1 |
| 5 | 09026-03001 | *HEXAWRENCH | 1 |
| 6 | 09026-04001 | *HEXAWRENCH | 1 |
| 7 | 09026-05001 | *HEXAWRENCH | 1 |
| 8 | 19601-00300 | BLADECOVER | 1 |

Fig. 11



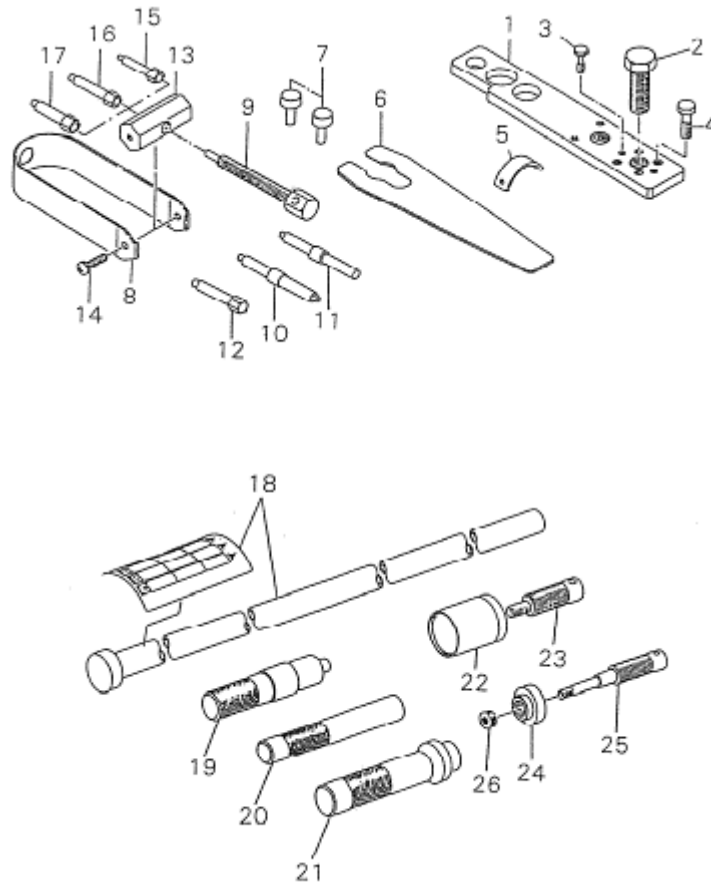
| Ref. No | Part No. | Part Name | Q`ty |
|---------|-------------|----------------|------|
| 11- | 72017-14100 | BRACKETSUBASSY | 1 |
| 1 | 72017-14110 | *HANDLEBRACKET | 1 |
| 2 | 72017-14120 | *LOWERCAP | 1 |
| 3 | 72017-14130 | *UPPERCAP | 1 |
| 4 | 22015-14140 | *LOWERCLAMP | 1 |
| 5 | 22015-14150 | *UPPERCLAMP | 1 |
| 6 | 22015-14160 | *LOWERCUSHION | 2 |
| 7 | 22015-14170 | *UPPERCUSHION | 2 |
| 8 | 11022-05250 | *BOLTSPW | 8 |
| 9 | 11210-06250 | *SCREWBUTTON | 2 |
| 10 | 72514-14190 | EARTHCORD | 1 |
| 11 | 72430-14200 | HANDLESUBASSY | 1 |
| 12 | 22421-14230 | *GRIP | 1 |
| 13 | 72430-14270 | *CAP | 1 |
| 14 | 72556-14260 | SPACER | 2 |

Fig. 12



| Ref. No | Part No. | Part Name | Q`ty |
|---------|-------------|-----------------|------|
| 12- | 72550-16001 | GUARDASSY | 1 |
| 1 | 72480-16113 | *GUARD | 1 |
| 2 | 72017-16130 | *LOWERCLAMP | 1 |
| 3 | 11202-40100 | *SCREWHILO4X10 | 1 |
| 5 | 72480-16210 | *UPPERCLAMP | 1 |
| 6 | 11022-05450 | *BOLTSPW | 4 |
| 7 | 01500-06051 | *NUT | 1 |
| 8 | 01613-06100 | *WASHER | 1 |
| 9 | 11022-06400 | *BOLTSPW | 1 |
| 13 | 72480-16121 | *CUTTER | 1 |
| 14 | 22420-16120 | NUT | 2 |
| 15 | 11020-05160 | *BOLTSW | 2 |
| | 72007-17202 | STRAPASSY | 1 |
| 10 | 22007-17220 | *PROTECTOR | 1 |
| 11 | 22011-17261 | *CUSHIONHARNESS | 1 |
| 12 | 22000-17130 | *HOOK | 1 |

Fig. 13



| Ref. No | Part No. | Part Name | Q`ty |
|---------|-------------|----------------|------|
| 13- | 20000-96104 | PULLERASSY | 1 |
| 1 | 20000-96114 | *LEVER | 1 |
| 2 | 22100-96121 | *CENTERBOLT | 1 |
| 3 | 20000-96130 | *BOLT | 3 |
| 4 | 20000-96140 | *BOLT | 2 |
| 5 | 20000-96210 | AIRGAPGAUGE | 1 |
| 6 | 20000-96411 | ROTORSPANNER | 1 |
| 7 | 20021-96420 | STOPPER | 2 |
| | 20021-96601 | PULLERASSY | 1 |
| 8 | 20021-96611 | *PULLER | 1 |
| 9 | 20021-96621 | *BOLT | 1 |
| 10 | 20000-96631 | *GUIDEPIN | 1 |
| 11 | 20035-96630 | *GUIDEPIN | 1 |
| 12 | 20021-96630 | *GUIDEPIN | 1 |
| 13 | 20000-96640 | *BOSS | 1 |
| 14 | 01211-06120 | *SCREWSW | 2 |
| 15 | 20021-96650 | *PINADAPTER | 1 |
| 16 | 20021-96660 | *PINADAPTER | 1 |
| 17 | 20021-96670 | *PINADAPTER | 1 |
| 18 | 22000-96101 | RODBUSHINGASSY | 1 |
| 19 | 22015-96210 | ROD | 1 |
| 20 | 22015-96310 | ROD | 1 |
| 21 | 22015-96410 | ROD | 1 |
| | 22015-96500 | PULLERASSY | 1 |
| 22 | 22015-96510 | *HOLDER | 1 |
| 23 | 22015-96520 | *BOLT | 1 |

| | | | |
|----|-------------|------------|---|
| | 22015-96600 | PULLERASSY | 1 |
| 24 | 22015-96610 | *HOLDERA | 1 |
| 25 | 22000-96621 | *BOLT | 1 |
| | 22000-96630 | *NUT | 1 |