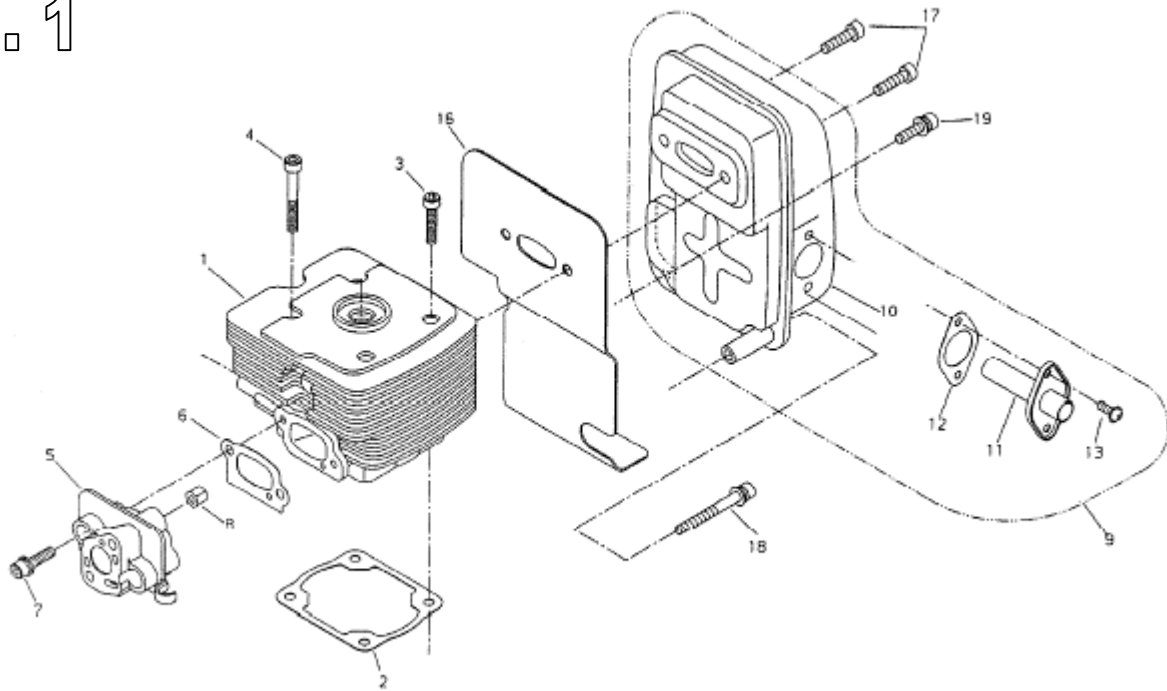


shindaiwa

DeceSpugliatore

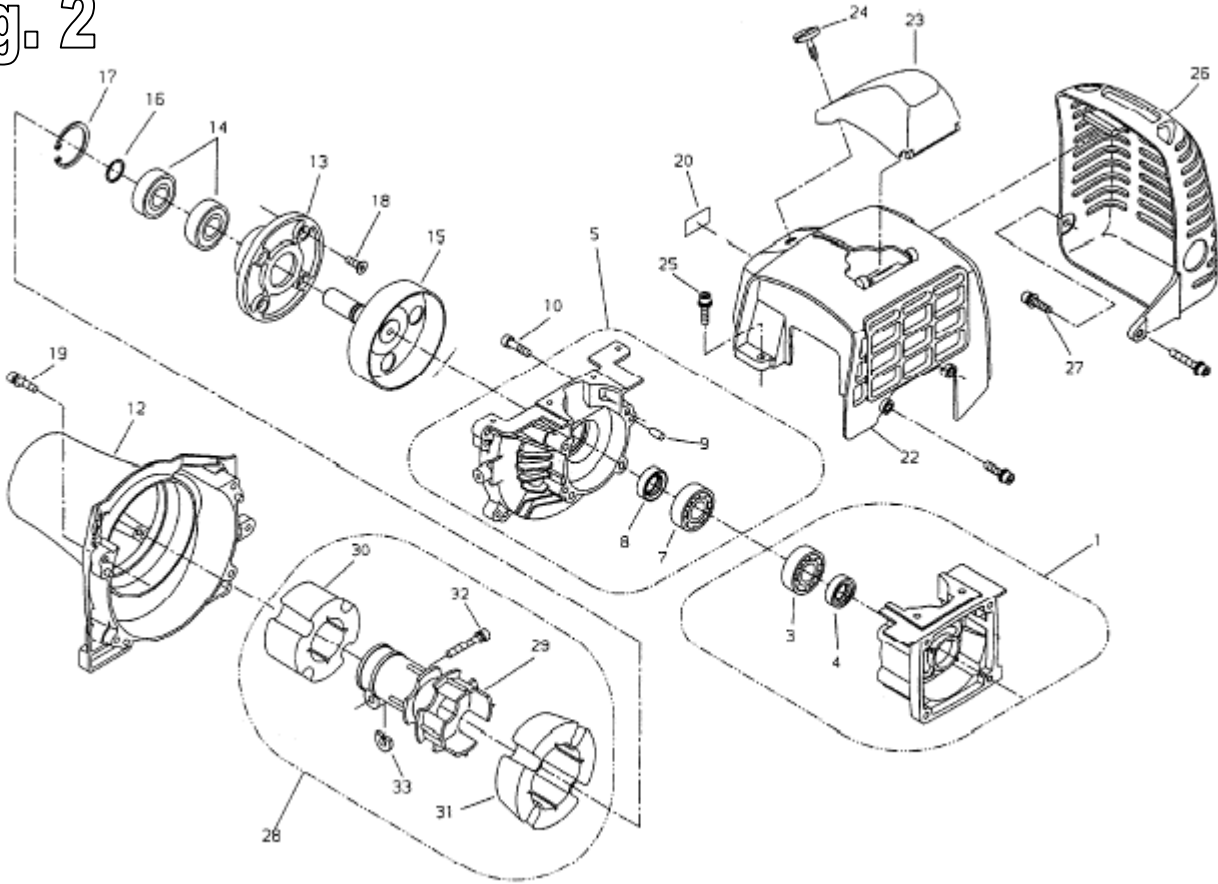
T 530

Fig. 1



Ref. No	Part No.	Part Name	Q`ty
1- 1	62035-12111	CYLINDER	1
2	62035-12120	GASKETCYLINDER	1
3	01020-05250	BOLT	3
4	01020-05350	BOLT	1
5	62035-12210	INSULATOR	1
6	62035-12220	GASKET	1
7	11022-05300	BOLT SW	2
8	20024-12260	NUT	2
9	62035-15011	MUFFLER ASSY	1
10	62035-15110	*MUFFLER	1
11	62035-15140	*TAILPIPE	1
12	62035-15150	*GASKET	1
13	11207-04120	*SCREW PMSLPW	2
16	62035-15210	GASKET MUFFLER	1
17	01020-06250	BOLT	2
18	11022-05450	BOLT SPW	1
19	11022-05160	BOLT SPW	1

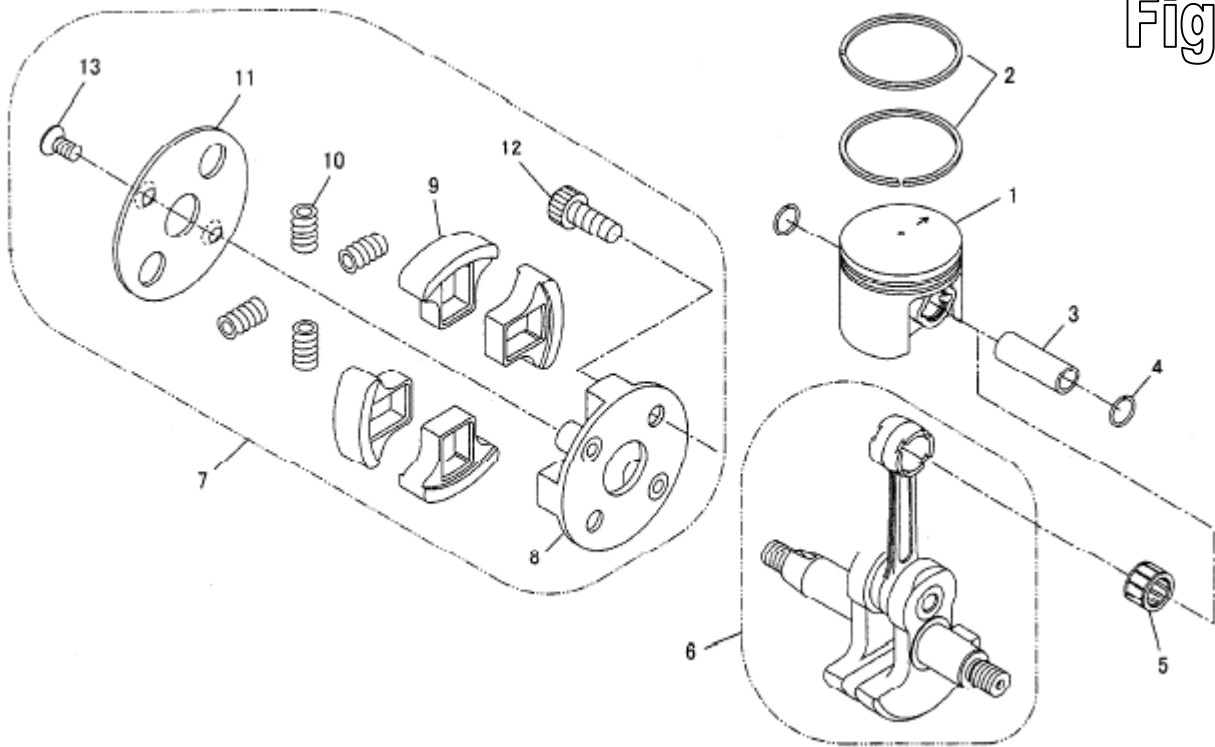
Fig. 2



Ref. No	Part No.	Part Name	Q`ty
2- 1	62035-21010	CRANKCASESCOMP	1
3	02030-06202	*BEARING	1
4	20010-21211	*OILSEAL	1
5	62035-21020	CRANKCASEMCOMP	1
7	02030-06202	*BEARING	1
8	20010-21211	*OILSEAL	1
9	12492-50100	*DOWELPIN	2
10	01020-05300	BOLT	4
12	62035-31110	FANCOVER	1
13	62035-31310	CLUTCHCASE	1
14	02006-06202	BEARING	2
15	62035-31211	CLUTCHDRUM	1
16	20011-31230	SNAPRING	1
17	02432-35150	SNAPRING	1
18	11260-05161	SCREWADHEISIVE	4
19	11022-05300	BOLT SW	4
20	62035-91020	LABELTRADE	1
22	62035-32112	CYLINDERCOVER	1
23	62035-32310	PLUGCOVER	1
24	62035-32320	KNOB	1
25	11022-05160	BOLTSPW	2
26	62036-32311	MUFFLERCOVER	1
27	11022-05160	BOLTSPW	1
28	62035-33010	JOINTASSY	1

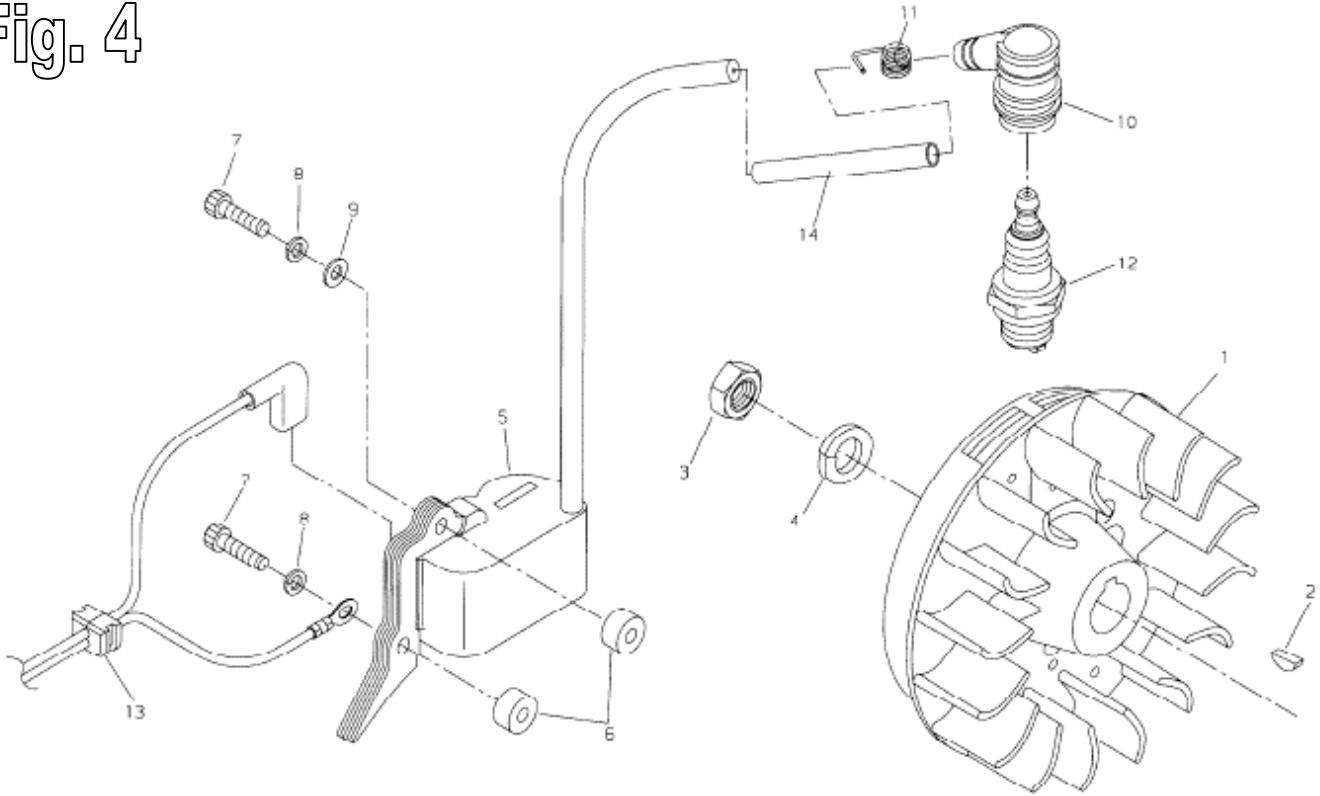
29	62035-33110	*JOINT	1
30	62035-33120	*FRONTCUSION	1
31	62035-33130	*REARCUSION	1
32	11022-06280	BOLTSPW	1
33	20024-31460	SHIM	1

Fig. 3



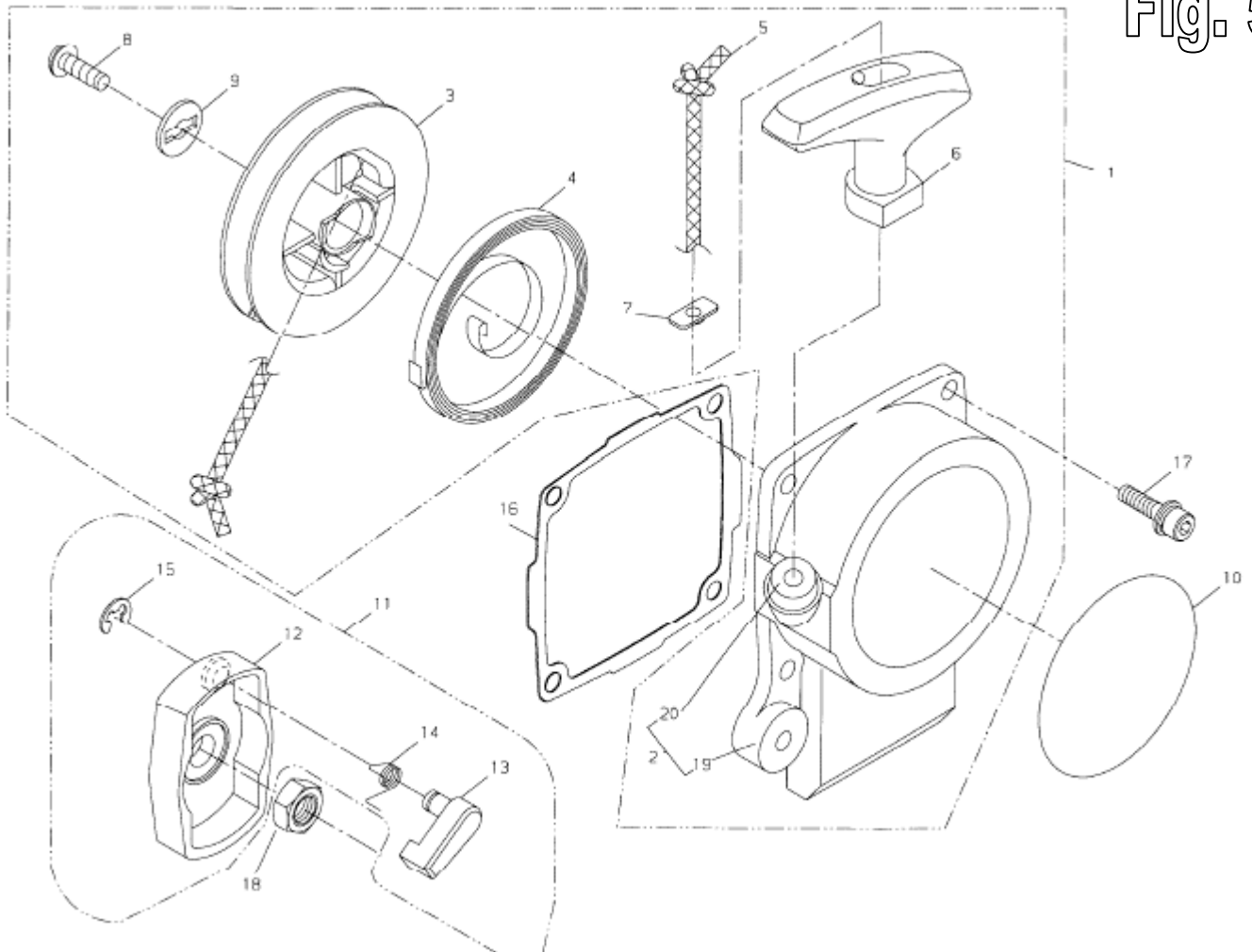
Ref. No	Part No.	Part Name	Q`ty
3- 1	62035-41110	PISTON	1
2	62035-41120	PISTONRING	2
3	62035-41210	PISTONPIN	1
4	22152-41231	SNAPRING	2
5	22150-41280	NEEDLEBEARING	1
6	62035-42010	CRANKSHAFT	1
7	70210-51100	CLUTCHSHOEASSY	1
8	20020-51112	*CLUTCHBOSS	1
9	20020-51121	*CLUTCHSHOE	4
10	20020-51131	*SPRING	4
11	20020-51140	*PLATE	1
12	20020-51150	*CLUTCHBOLT	2
13	70210-51160	*SCREWFLAT	2

Fig. 4



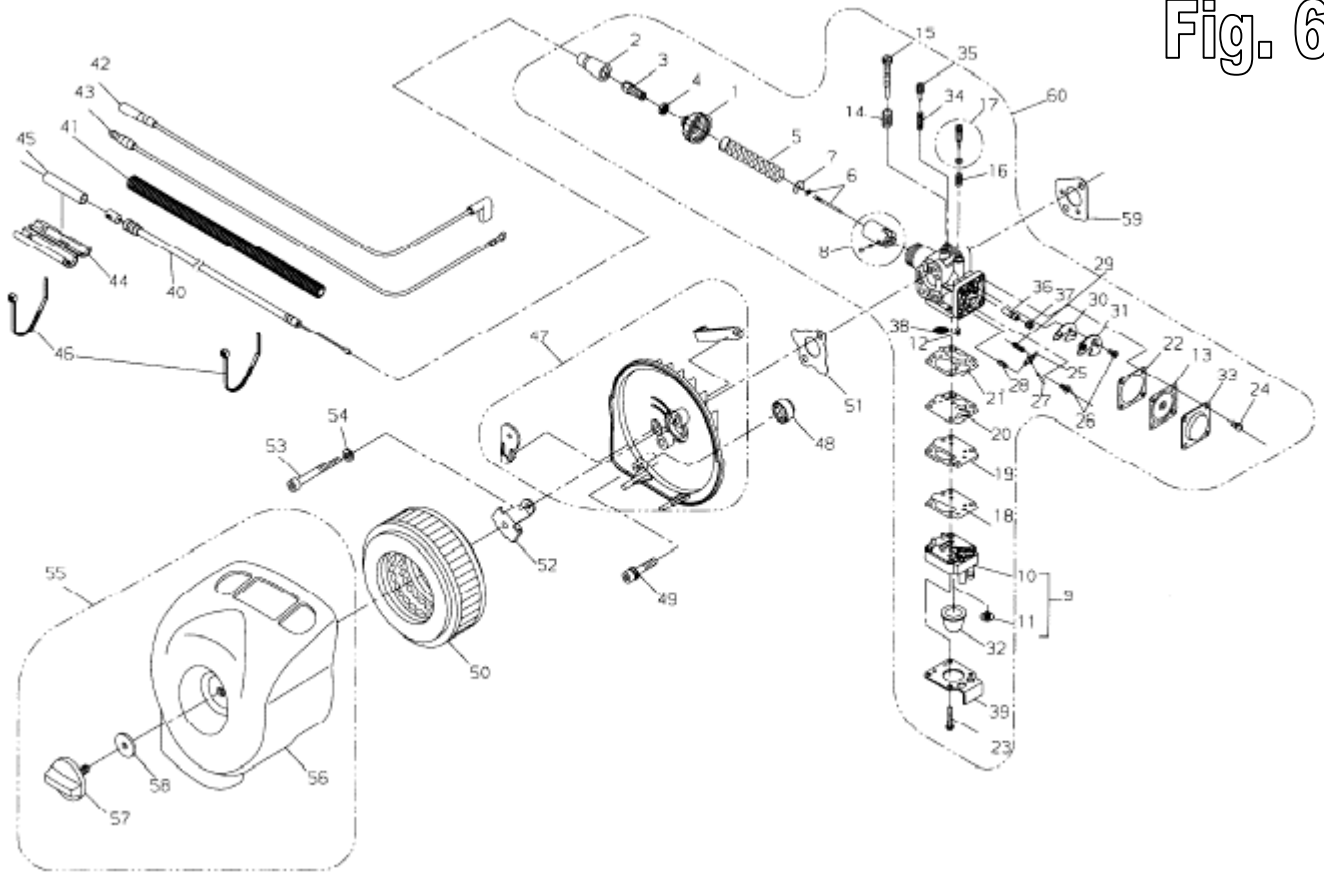
Ref. No	Part No.	Part Name	Q`ty
4- 1	62035-71110	ROTOR	1
2	02403-03100	KEY	1
3	01511-10061	NUT	1
4	01600-10251	SPRINGWASHER	1
5	62035-71020	COILASSY	1
6	70030-71620	INSULATOR	2
7	01020-04240	BOLT	2
8	01600-04101	SPRINGWASHER	2
9	20010-71650	WASHER	2
10	22160-72220	PLUGCAP	1
11	22154-72230	SPRINGPLUG	1
12	13000-13406	SPARKPLUGBMR6A	1
13	62035-71320	GROMMET	1
14	22155-72280	PIPECORDB	1

Fig. 5



Ref. No	Part No.	Part Name	Q`ty
5- 1	62035-75010	RECOILSTARTERASSY	1
2	62035-75110	*RECOILCASE	1
19	62035-75320	**RECOILCASE	1
20	62035-75310	**GUIDE	1
3	62035-75120	*REEL	1
4	62035-75130	*RECOILSPRING	1
5	62035-75140	*ROPE	1
6	22104-75420	*KNOBRECOIL	1
7	20010-75210	*STOPPER	1
8	20035-75170	*SCREW	1
9	20024-75140	*WASHER	1
10	19420-00027	LABELTRADE	1
11	62035-75020	STARTERPULLYASSY	1
12	62035-75210	*STARTERPULLY	1
13	62035-75220	*RACHET	1
14	20024-75230	*RETURNSPRING	1
15	20024-75240	*ERING	1
16	62035-75331	GASKET	1
17	11022-05250	BOLTSPW	4
18	62035-75340	NUT	1

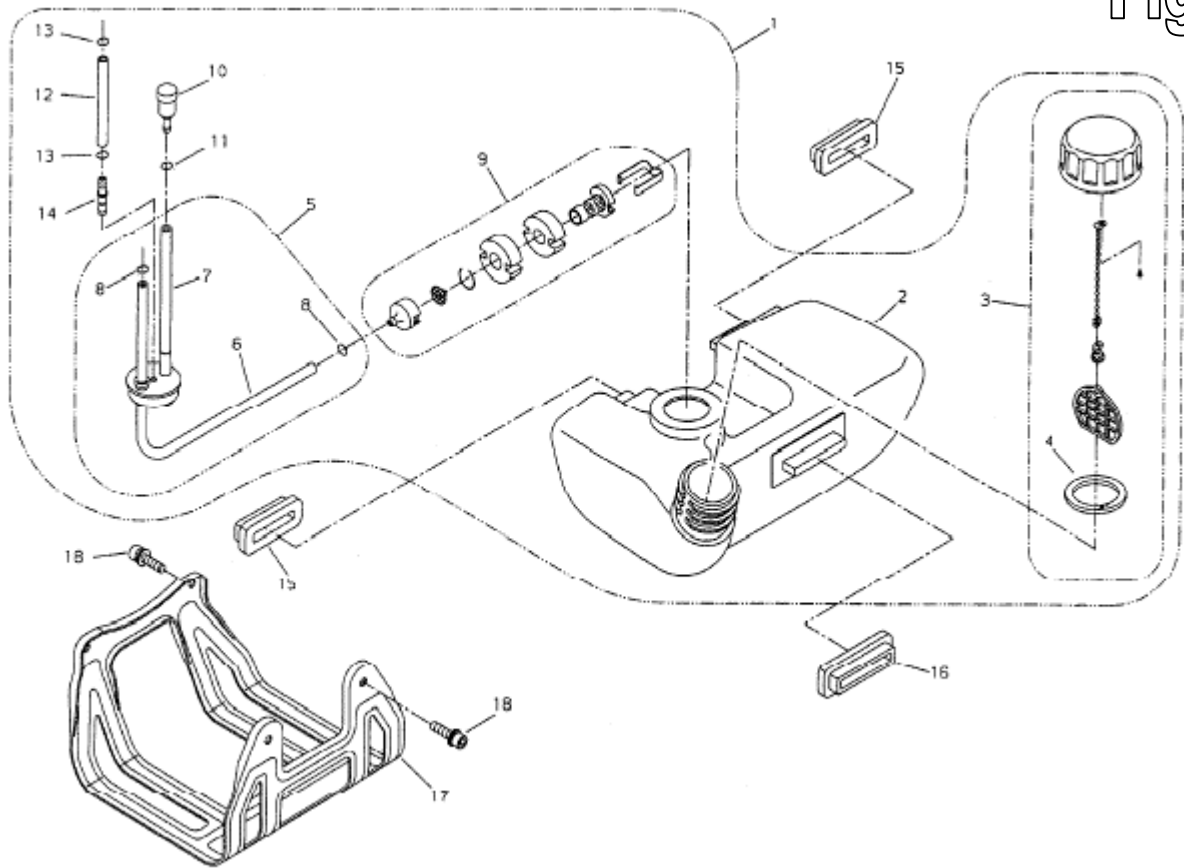
Fig. 6



Ref. No	Part No.	Part Name	Q`ty
6-60	62035-81013	CARBURETOR ASSY	1
1	72921-81120	*BODY CAP	1
2	72920-81130	*ADJUSTER CAP	1
3	20020-81110	*CABLE ADJUSTER	1
4	20000-81260	*LOCK NUT	1
5	20020-81140	*SPRING	1
6	62035-81432	*JET NEEDLE	1
7	20020-81150	*SPRING RECIEVE	1
8	62035-81330	*THROTTLE VALVE	1
9	62035-81340	*PUMP COVER ASSY	1
10	62035-81350	**PUMP COVER	1
11	68501-81340	**VALVE	1
12	62035-81360	*SPRING	1
13	62035-81410	*DIAPHRAGM	1
14	72920-81820	*SPRING	1
15	20000-81310	*SLOW STOP SCREW	1
16	20011-81360	*SPRING	1
17	20070-81350	*MAIN ADJUST SCREW	1
18	20019-81660	*GASKET	1
19	20019-81610	*PUMP PLATE	1
20	20019-81620	*DIAPHRAGM PUMP	1
21	20019-81630	*GASKET	1
22	62035-81370	*GASKET	1
23	62035-81380	*SCREW	4
24	20000-81540	*SCREW	4

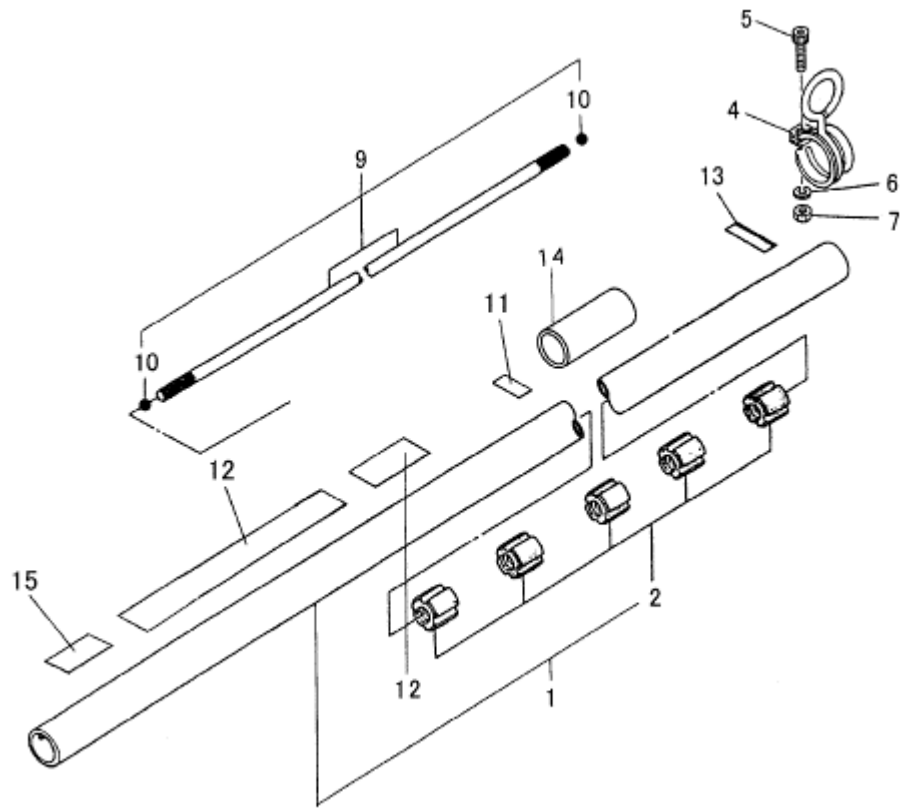
25	20011-81451	*LEVER	1
26	20011-81470	*SCREW	2
27	20011-81460	*PIN	1
28	20019-81440	*NEEDLEVALVE	1
29	20040-81430	*SPRING	1
30	70210-81440	*PACKING	1
31	70210-81451	*PLATE	1
32	20087-81820	*PUMP	1
33	20019-81670	*COVERDIAPHRAGM	1
34	20000-81340	*SPRING	1
35	20000-81330	*SLOWAIRSCREW	1
36	62035-81420	*NEEDLEJET	1
37	70210-81420	*HOLDER	1
38	68501-81480	*SCREEN	1
39	62035-81390	*PUMPPLATE	1
40	62060-83110	THROTTLECABLE	1
41	62060-83310	TUBE	1
42	14352-11900	LEADWIRE	1
43	14350-11600	LEADWIRE	1
44	72550-82120	CONNECTOR	1
45	20037-82130	SLEEVE	1
46	15210-12303	BAND	2
47	62035-82011	CLEANERBODYCOMP	1
48	62035-82362	INSULATOR	1
49	11022-05400	BOLT SW	1
50	62035-82121	FILTER	1
51	62035-82330	GASKET	1
52	62035-82340	BACKPLATE	1
53	11020-05750	BOLT SW	2
54	01600-05131	SPRINGWASHER	2
55	62036-82040	CLEANERCOVERCOMP	1
56	62036-82130	*CLEANERCOVER	1
57	20870-33120	*KNOB	1
58	62035-82350	*WASHER	1
59	62035-81310	GASKET	1

Fig. 7



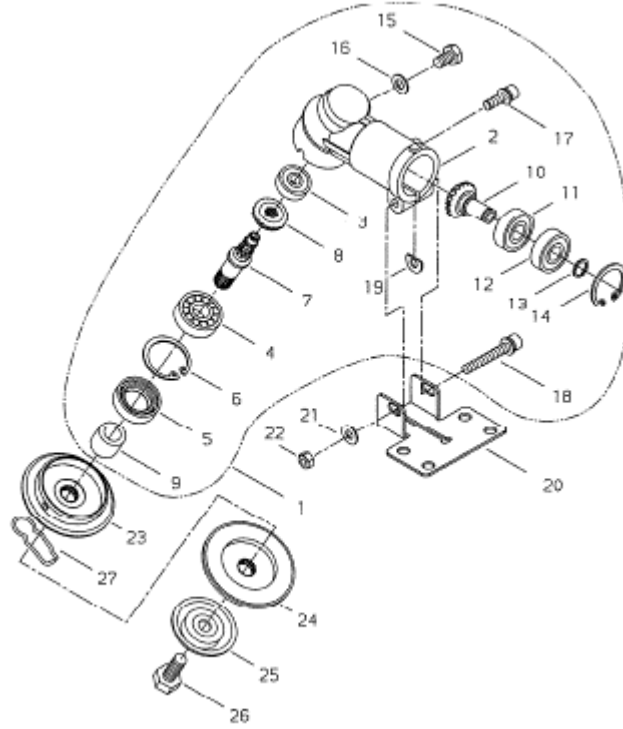
Ref. No	Part No.	Part Name	Q`ty
7- 1	62035-85013	FUELTANKASSY	1
2	62035-85111	*FUELTANK	1
3	70168-85201	*FUELCAPASSY	1
4	20000-85221	**GASKET	1
5	62035-85031	*FUELPIPEASSY	1
6	62035-85310	**FUELPIPE	1
7	62035-85321	**GROMMET	1
8	20020-85540	**CLIP	2
9	22169-35400	*FUELFILTERSUBASSY	1
10	22197-33960	*VALVE	1
11	20020-85540	*CLIP	1
12	20140-83311	*PIPE	1
13	20020-85540	*CLIP	2
14	72933-85620	*JOINT	1
15	62035-85341	TANKCUSHION	2
16	62035-85351	TANKCUSHION	1
17	62035-85360	TANKGUARD	1
18	11022-05160	BOLTSPW	4

Fig. 8



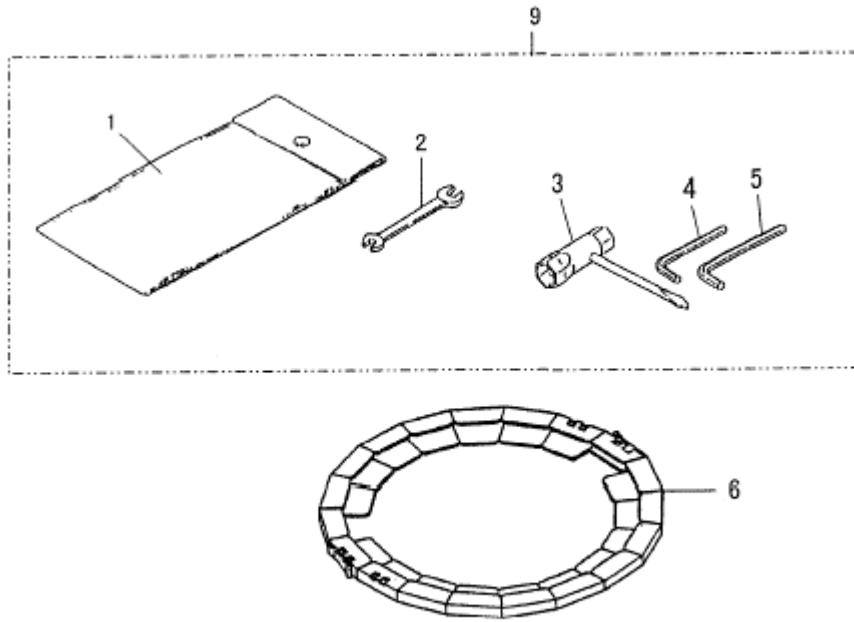
Ref. No	Part No.	Part Name	Q`ty
8- 1	63040-62010	OUTERPIPECOMP	1
2	63019-62120	*BUSHING	5
4	22017-12210	HANGER	1
5	01020-05120	BOLT	1
6	01600-05130	SPRINGWASHER	1
7	01500-05041	NUT	1
9	72550-12400	MAINSHAFTSUBASSY	1
10	22021-12420	*STOPPER	2
11	72017-12150	HANDLELABEL	1
12	19422-00010	LABELCAUTION	1
13	72005-12140	CAUTIONPLATE	1
14	63040-62311	PROTECTOR	1
15	19402-00223	LABELCAUTION	1

Fig. 9



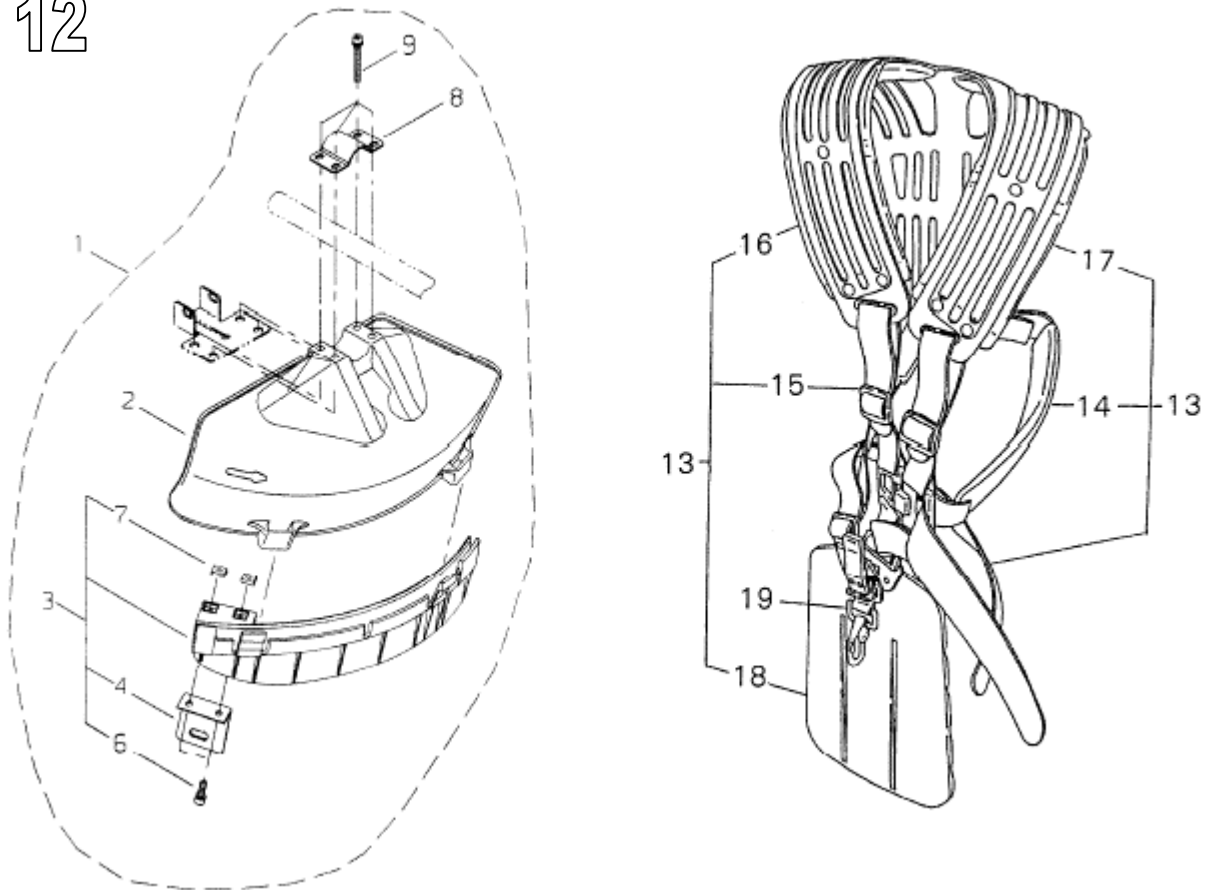
Ref. No	Part No.	Part Name	Q`ty
9- 1	63020-63020	GEARCASESUBASSY	1
2	63020-63110	*GEARCASE	1
3	02006-06000	*BEARING	1
4	02000-06202	*BEARING	1
5	72447-13121	*OILSEAL	1
6	02432-35150	*SNAPRING	1
7	63019-63130	*GEARSHAFT	1
8	22015-13220	*BEVELGEAR	1
9	22015-13230	*COLLAR	1
10	22021-13390	*PINIONSET	1
11	02000-06001	*BEARING	1
12	02002-06001	*BEARING	1
13	20000-31140	*SNAPRING	1
14	02432-28120	*SNAPRING	1
15	22015-13410	*BOLT	1
16	22015-13420	*GASKET	1
17	11022-06400	*BOLTSPW	1
18	11022-06140	*BOLTSPW	1
19	22011-13450	*SHIM	1
20	72017-16130	LOWERCLAMP	1
21	01613-06100	WASHER	1
22	01500-06051	NUT	1
23	72447-13240	HOLDERA	1
24	63020-63171	HOLDER	1
25	22015-13270	BOLTGUARD	1
26	63019-63310	BOLT	1
27	22015-13290	SLIDEPIN	1

Fig. 10



Ref. No	Part No.	Part Name	Q`ty
10- 9	62060-92011	TOOLSET	1
1	19639-01700	*TOOLBAG	1
2	22000-91120	*SPANNER	1
3	72518-91180	*WRENCH17X19	1
4	09026-04001	*HEXAWRENCH	1
5	09026-05001	*HEXAWRENCH	1
6	22550-92310	BLADECOVER	1

Fig. 12



Ref. No	Part No.	Part Name	Q`ty
12- 1	64008-66310	GUARDSET	1
2	62903-66110	*GUARD	1
3	62903-66331	*SUBGUARDASSY	1
4	72480-16121	**CUTTER	1
6	11020-05160	**BOLTSW	2
7	22420-16120	**NUT	2
8	72480-16210	*UPPERCLAMP	1
9	11022-05450	*BOLTSPW	1
13	64007-67010	HARNESSASSY	1
14	72451-17330	*PROTECTOR	1
15	72451-17340	*BUCKLE	4
16	64007-67330	*PAD	1
17	64007-67340	*PAD	1
18	72451-17370	*PAD	1
19	72451-17380	*HOOK	1