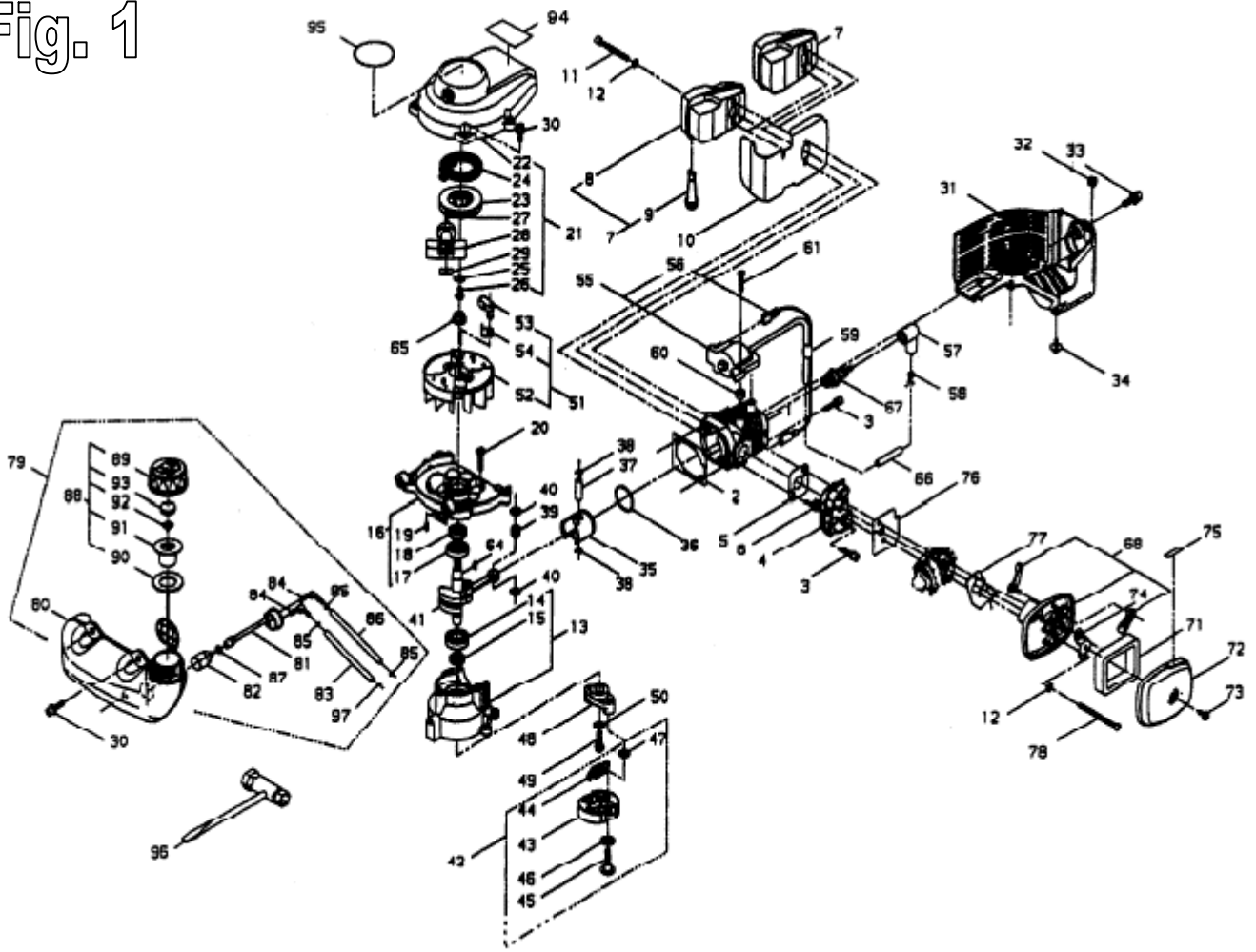


shindaiwa

Tosasioepi

22 DH

Fig. 1

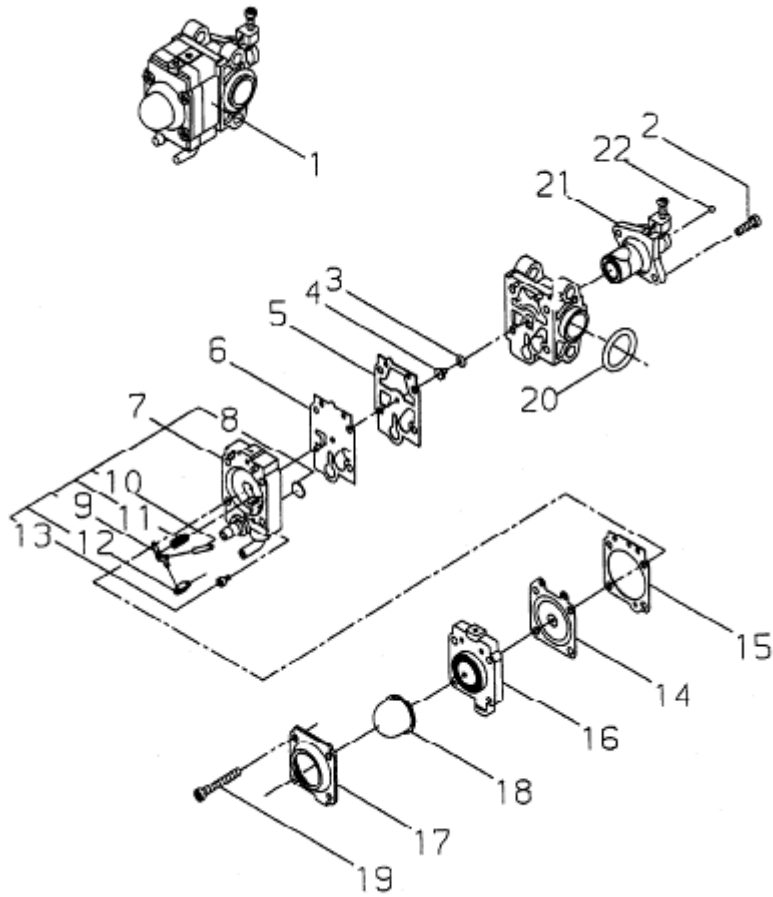


Ref. No	Part No.	Part Name	Q`ty
1- 1	20142-12110	CYLINDER	1
2	20870-12120	GASKET	1
3	11022-05250	BOLTSPW	4
4	20140-12210	INSULATOR	1
5	20140-12220	GASKET	1
6	20011-12260	NUT	2
7	20142-15110	MUFFLER	1
7	20142-15110	MUFFLER	1
7	67000-15010	MUFFLERASSY	1
8	67000-15110	*MUFFLER	1
9	67000-15340	*SPARKARRESTER	1
10	68120-15210	GASKET	1
11	01020-05400	BOLT	2
12	01610-05080	WASHER	4
13	20870-21100	CRANKCASEPTOCOMP	1
14	12900-60010	*BEARING	1
15	22150-21250	*OILSEAL	1
16	20870-21301	CRANKCASEMCOMP	1
17	12900-60010	*BEARING	1
18	20000-21211	*OILSEAL	1
19	12492-40080	*ROLLER	2

20	01020-05250	BOLT	3
21	68120-31010	FANCOVERASSY	1
22	68120-31110	*FANCOVER	1
23	70030-75120	*REEL	1
24	70030-75130	*RECOILSPRING	1
25	70030-75140	*WASHER	1
26	20035-75170	*SCREW	1
27	70030-75160	*ROPE	1
28	20010-75190	*STARTERKNOB	1
29	20010-75210	*STOPPER	1
30	11060-05202	BOLTADHESIVE	7
31	68120-32110	CYLINDERCOVER	1
32	20011-72120	GROMMET	1
33	11022-06160	BOLTSPW	1
34	11060-04123	BOLTADHESIVE	2
35	20142-41110	PISTON	1
36	20142-41210	PISTONRING	1
37	20142-41310	PISTONPIN	1
38	70030-41320	SNAPRING	2
39	20016-41330	NEEDLEBEARING	1
40	20016-41340	THRUSTWASHER	2
41	68120-42010	CRANKSHAFT	1
42	68120-51020	CLUTCHSHOESUBASSY	1
43	20035-51111	*CLUTCHSHOE	2
44	20035-51221	*CLUTCHSPRING	1
45	20142-51210	*BOLT	2
46	20087-51231	*SPRINGPLATE	2
47	22100-71430	*WASHER	2
48	20870-51210	CLUTCHBOSS	1
49	20870-51220	BOLT	1
50	22100-71430	WASHER	1
51	20870-71100	ROTORSUBASSY	1
52	20870-71110	*ROTOR	1
53	20870-71120	*RATCHET	1
54	20870-71130	*COILSPRING	1
55	68120-71020	COILASSY	1
56	20016-71640	*CORD	1
57	22102-72220	PLUGCAP	1
58	20000-72230	SPRINGSPARKPLUG	1
59	14063-08005	INSTUBE	1
60	68120-71320	INSULATOR	2
61	11024-04261	BOLTSLPW	2
64	02403-03100	KEY	1
65	20035-71220	NUT	1
66	70064-72111	TUBE	1
67	CJ8	SPARKPLUG	1
67	13000-13406	SPARKPLUGBMR6A	1
67	13000-13406	SPARKPLUGBMR6A	1
68	20140-81700	CLEANERBODYSUBASSY	1
71	20140-82210	FILTER	1

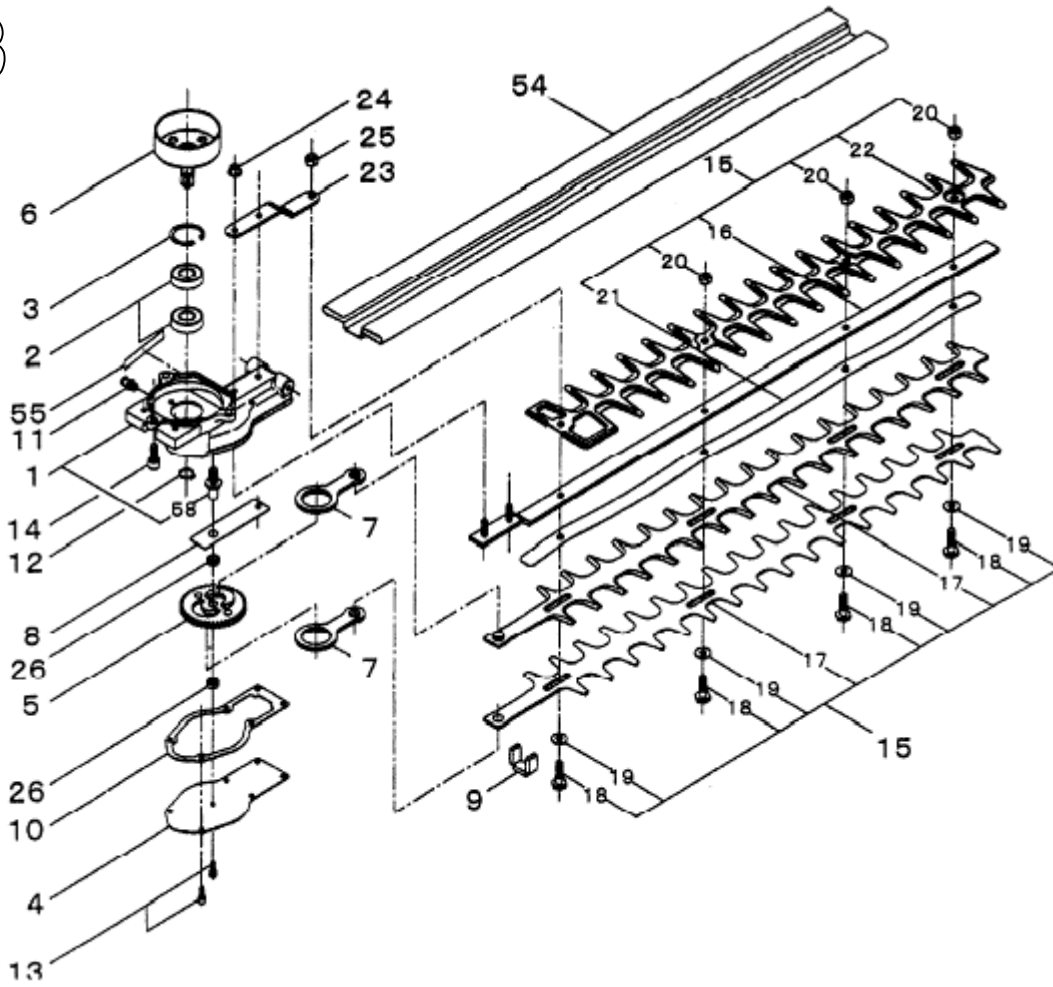
72	20140-81790	CLEANERCOVER	1
73	37019-82340	SCREWMSLPW	1
74	20018-81721	BACKPLATE	1
75	19404-00008	LABELCHOKE	1
76	68120-82310	GASKET	1
77	68120-81310	CABLEHOLDER	1
78	11203-05658	SCREWPM	2
79	68120-85011	FUELTANKASSY	1
79	68122-85010	FUELTANKASSY	1
79	68122-85010	FUELTANKASSY	1
80	68120-85110	*FUELTANK	1
81	20870-85121	*FUELPIPE	1
82	20016-85400	*FUELFILTER	1
83	20870-85132	*PIPE	1
84	20087-85340	*JOINT	1
85	20020-85540	*CLIP	3
86	68120-85330	*PIPE	1
87	20000-85350	*CLAMPB	1
88	20870-85150	*FUELCAPASSY	1
88	62800-85020	*FUELCAPASSY	1
88	62800-85020	*FUELCAPASSY	1
89	20040-85211	**FUELCAP	1
90	20870-85160	**PACKING	1
91	20870-85170	*HOLDERCOMP	1
91	62800-85310	*HOLDERCOMP	1
91	62800-85310	*HOLDERCOMP	1
92	20040-85260	*VALVEFUEL	1
93	20870-85210	*PACKING	1
94	19420-00050	LABELTRADE	1
95	68120-91020	LABELTRADE	1
95	68120-91020	LABELTRADE	1
95	68123-91020	LABELTRADE	1
96	22000-91181	PLUGWRENCH	1
97	37013-85310	CLIP	1

Fig. 2



Ref. No	Part No.	Part Name	Q`ty
2- 1	68120-81010	CABURETORASSY	1
2	70097-81290	*SCREW	2
3	70097-81220	*ORING	1
4	70064-81230	*MAINJET	1
5	70097-81310	*GASKETPUMP	1
6	70097-81320	*DIAPHRAGM	1
7	20016-81410	*PUMPBODYCOMP	1
8	70030-81380	**SCREEN	1
9	22100-81230	**LEVER	1
10	22100-81250	**PIN	1
11	20016-81270	**SPRING	1
12	20036-81440	**NEEDLEVALVE	1
13	20016-81450	*SCREW	1
14	22100-81260	*DIAPHRAGMASSY	1
15	20016-81280	*GASKET	1
16	20016-81420	*PUMPBASECOMP	1
17	20016-81510	*PUMPCOVER	1
18	20036-81670	*PRIMERPUMP	1
19	20016-81140	*SCREW	4
20	20016-81250	*ORING	1
21	68120-81320	THROTTLEVALVESET	1
22	20870-81230	*BALL	1

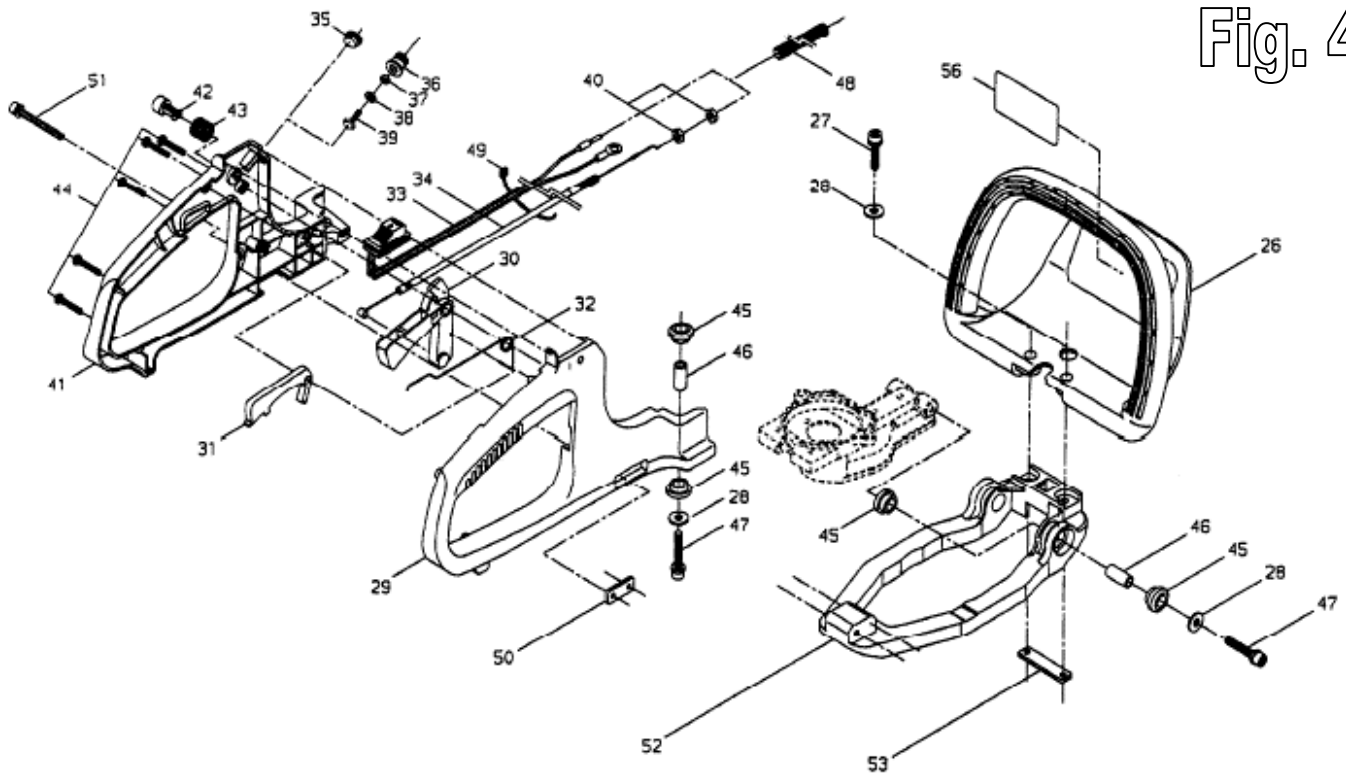
Fig. 3



Ref. No	Part No.	Part Name	Q`ty
3- 1	68120-61110	GEARCASE	1
2	02006-06001	BEARING	2
3	02432-28120	SNAPRING	1
4	68120-61120	CASECOVER	1
5	68120-61130	CAMGEAR	1
6	68120-61160	CLUTCHDRUM	1
7	68120-61170	ROD	2
8	68120-61331	PLATE	1
9	68120-61340	PACKING	1
10	68120-61351	GASKET	1
11	20870-61640	GREASENIPPLE	1
12	02430-12100	SNAPRING	1
13	01020-04100	BOLT	7
14	01020-06160	BOLT	3
15	68120-62010	CUTTERASSY	1
15	68122-62011	CUTTERASSY	1
15	68122-62011	CUTTERASSY	1
16	18501-50000	*GUIDEBAR	1
17	18500-50100	*BLADE	2
17	18500-50101	*BLADE	2
17	18500-50101	*BLADE	2
18	20870-62110	*BOLT	4

19	20870-62131	*WASHER	4
20	22011-97840	*LOCKNUT	3
21	17540-00001	*LEAFSPRING	1
21	17540-00001	*LEAFSPRING	1
22	68122-62320	*PROTECTOR	1
22	68122-62320	*PROTECTOR	1
23	68120-62331	HOLDER	1
24	11526-05212	FLANGENUT	2
25	22011-97840	LOCKNUT	1
26	15401-10025	COLLAR	2
54	19601-01506	PLATECOVER	1
55	19402-00134	LABELCAUTION	1
58	68120-61320	*MAINSHAFT	1

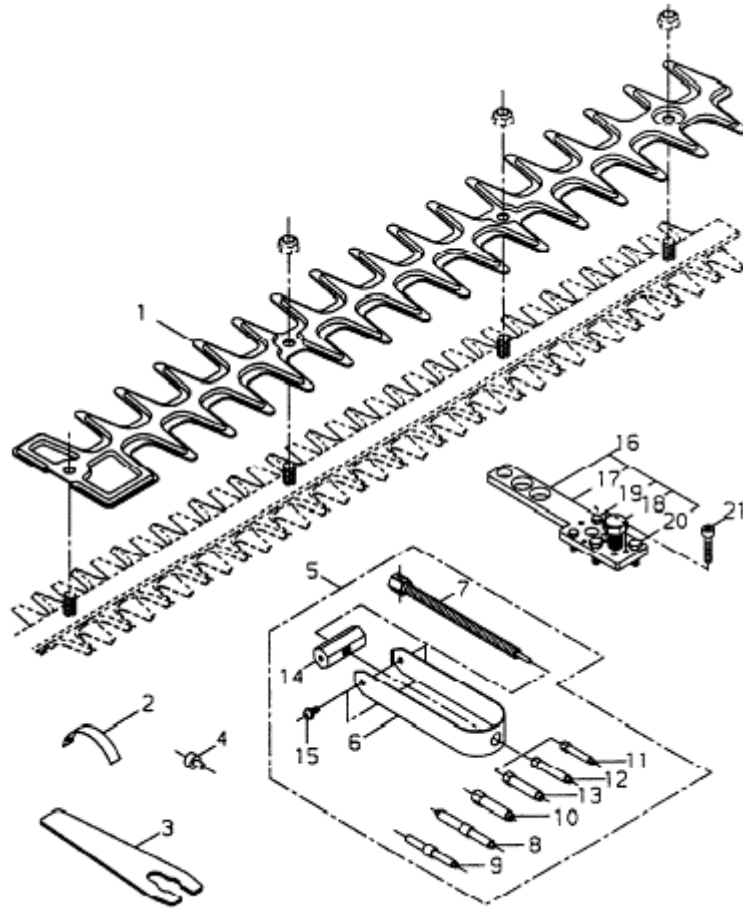
Fig. 4



Ref. No	Part No.	Part Name	Q`ty
4-26	68120-64110	FRONTHANDLE	1
27	11020-06250	BOLTSW	2
28	23510-64210	WASHER	6
29	62803-65113	RIGHTHANDLE	1
30	62803-65312	THROTTLELEVER	1
31	62803-65322	LOCKLEVER	1
32	62803-65350	COILSPRING	1
33	62803-65332	SWITCH	1
34	68120-65320	THROTTLECABLE	1
35	22150-33630	PLUG	1
36	20870-65110	KNOB	1
36	20870-65110	KNOB	1
37	20870-65120	NUT	1
37	20870-65120	NUT	1
38	62805-65370	WASHER	1
38	62805-65370	WASHER	1
39	20870-65150	BOLT	1
39	20870-65150	BOLT	1
40	01501-06041	NUT	2
41	62803-65123	LEFTHANDLE	1
42	70871-65170	BUTTON	1
43	70871-65180	COILSPRING	1
44	62803-65360	SCREWTAPPING	5
45	68120-65330	CUSION	8
46	15401-10200	COLLAR	4
47	11020-06350	BOLTSW	4

48	20019-83140	TUBE	1
49	15210-12305	BAND	1
50	68120-65350	PLATE	1
51	11060-05452	BOLTADHESIVE	2
52	68120-66310	STAY	1
53	68120-66320	PLATE	1
56	19402-00158	LABELCAUTION	1

Fig. 5



Ref. No	Part No.	Part Name	Q`ty
5- 1	68122-62320	PROTECTOR	1
2	20000-96210	AIRGAPGAUGE	1
3	20000-96411	ROTORSPANNER	1
4	20021-96420	STOPPER	2
5	20021-96601	PULLERASSY	1
6	20021-96611	*PULLER	1
7	20021-96621	*BOLT	1
8	20000-96631	*GUIDEPIN	1
9	20035-96630	*GUIDEPIN	1
10	20021-96630	*GUIDEPIN	1
11	20021-96650	*PINADAPTER	1
12	20021-96660	*PINADAPTER	1
13	20021-96670	*PINADAPTER	1
14	20000-96640	*BOSS	1
15	01211-06120	*SCREWSW	2
16	20000-96104	PULLERASSY	1
17	20000-96114	*LEVER	1
18	22100-96121	*CENTERBOLT	1
19	20000-96130	*BOLT	3
20	20000-96140	*BOLT	2
21	01020-06350	BOLT	2