

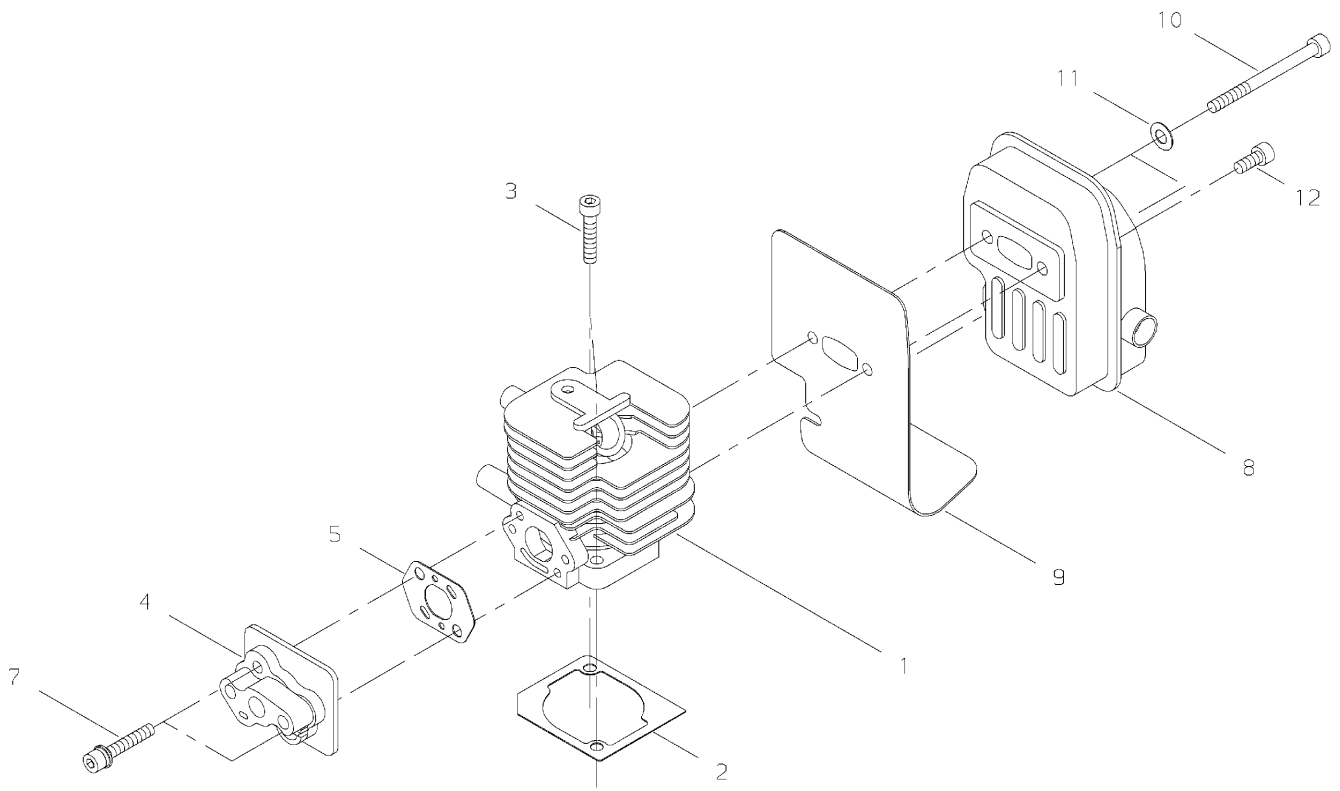
shindaiwa

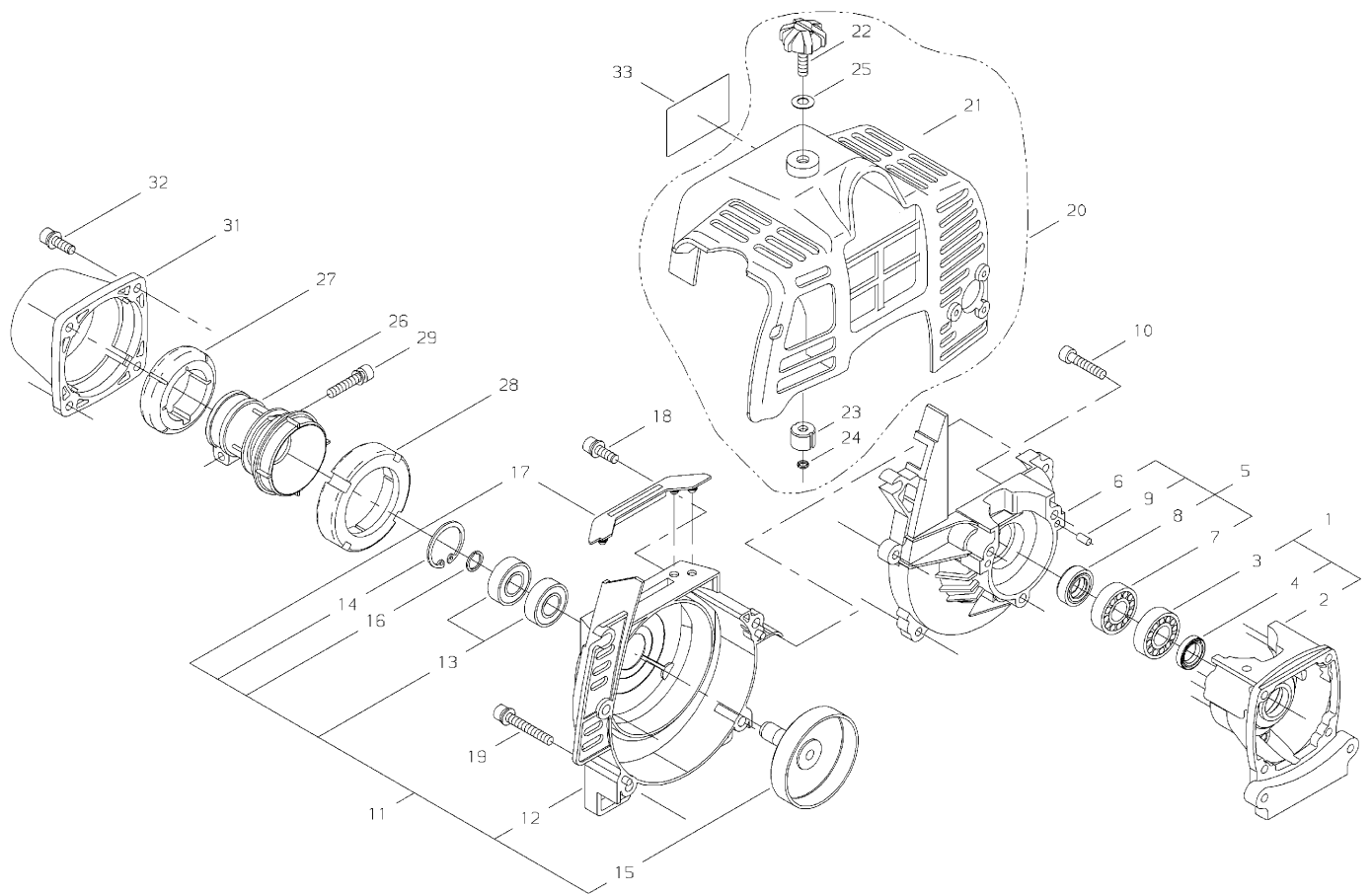
Illustrated Parts List

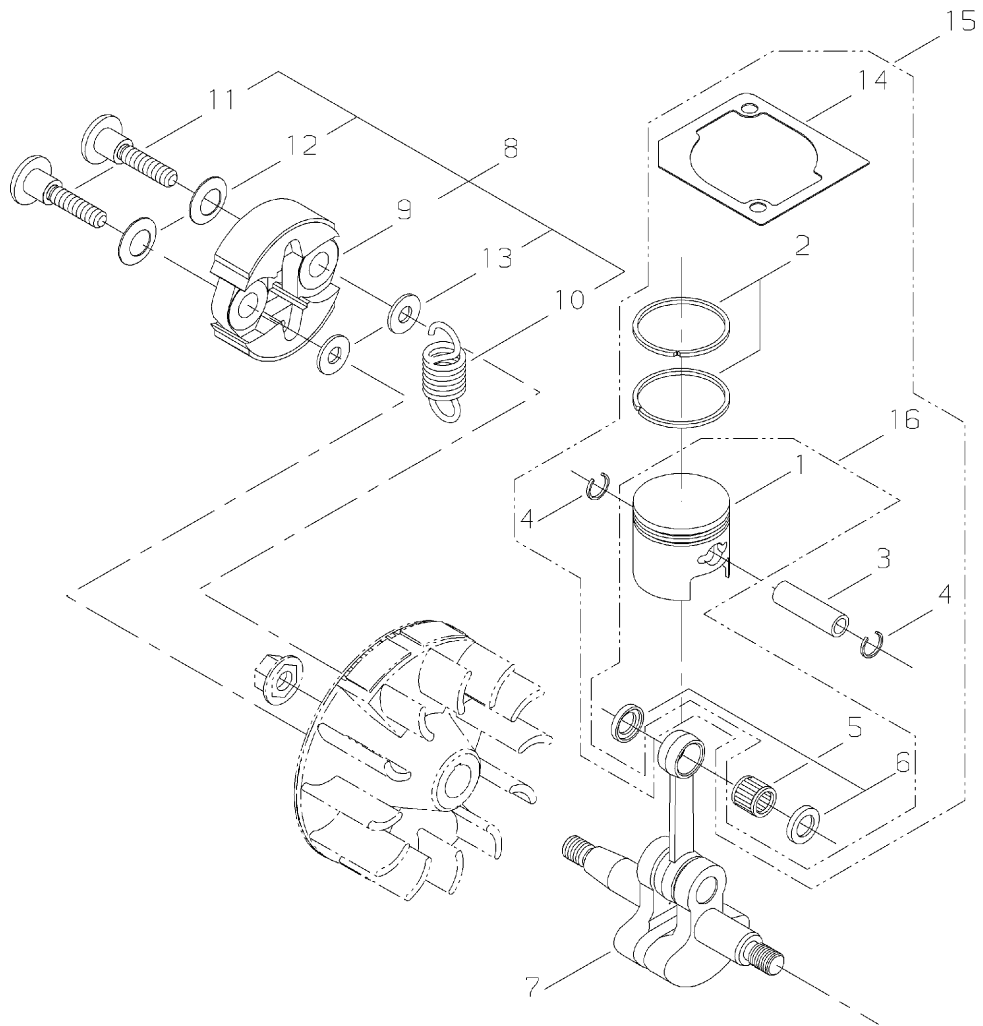
AH230s/EC1

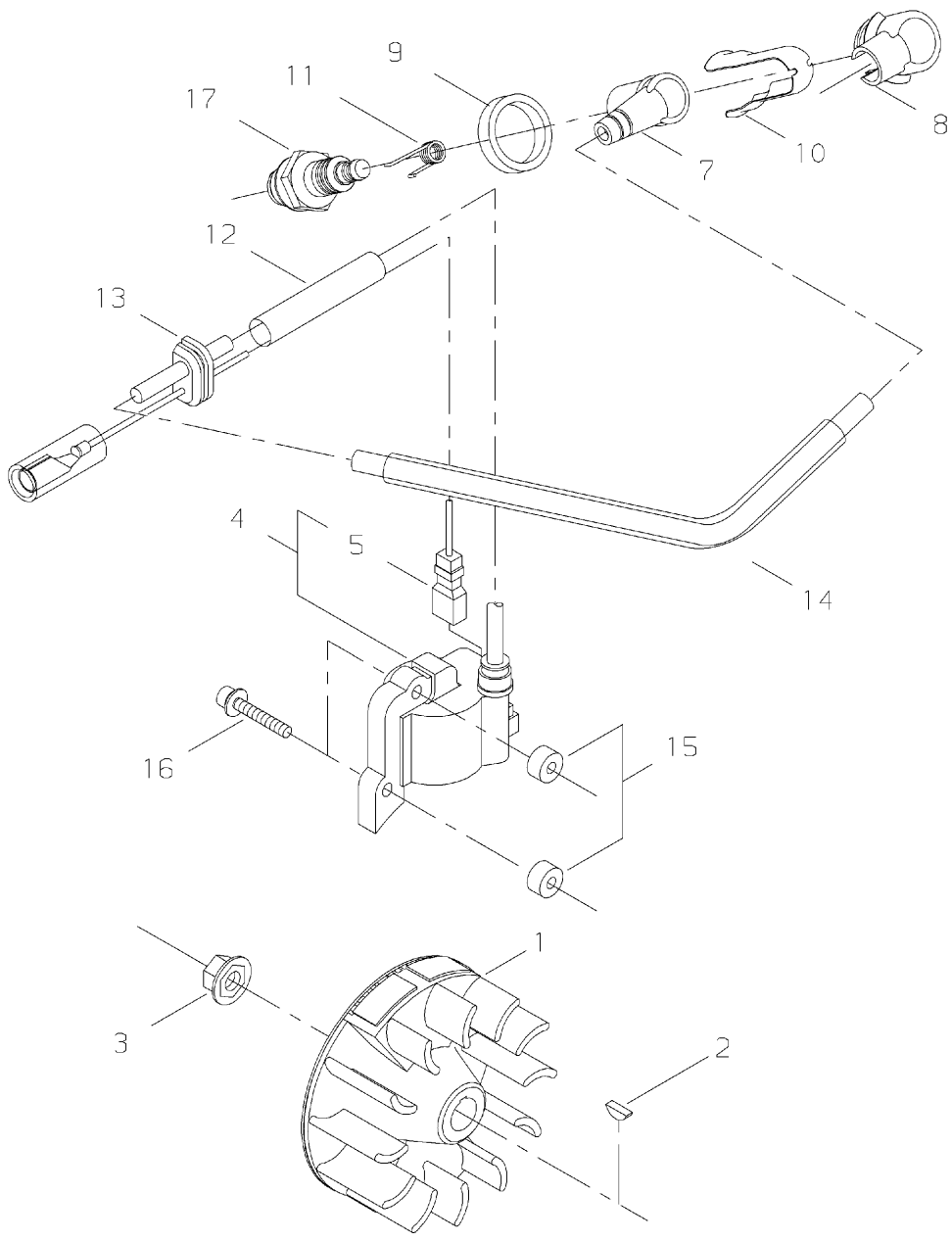
Shindaiwa, Inc.
11975 S.W. Herman Road
Tualatin, Oregon 97062
Telephone 503 692-3070
Fax 503 692-6696

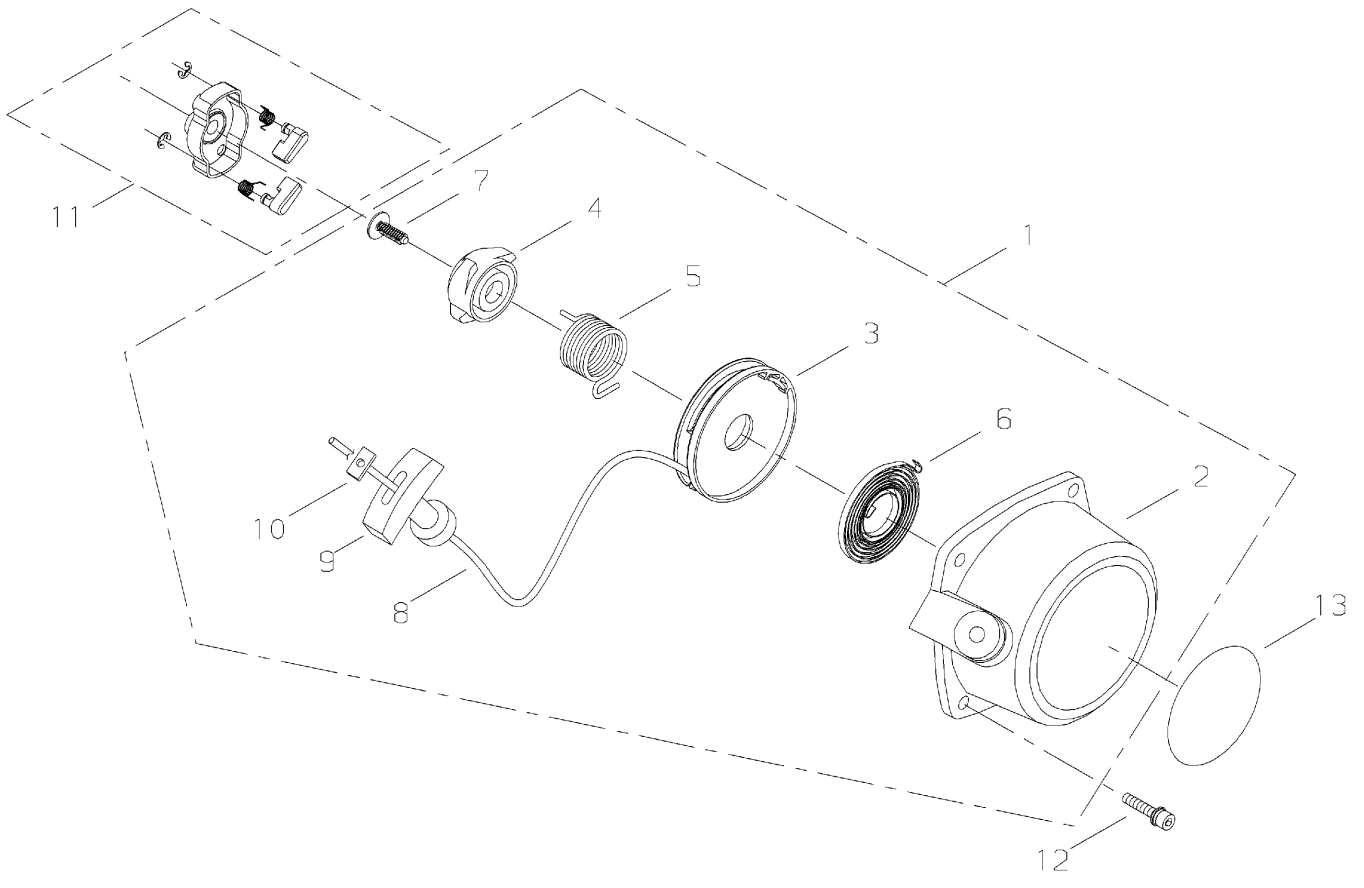
AH230s/EC1
REV September 30, 2005

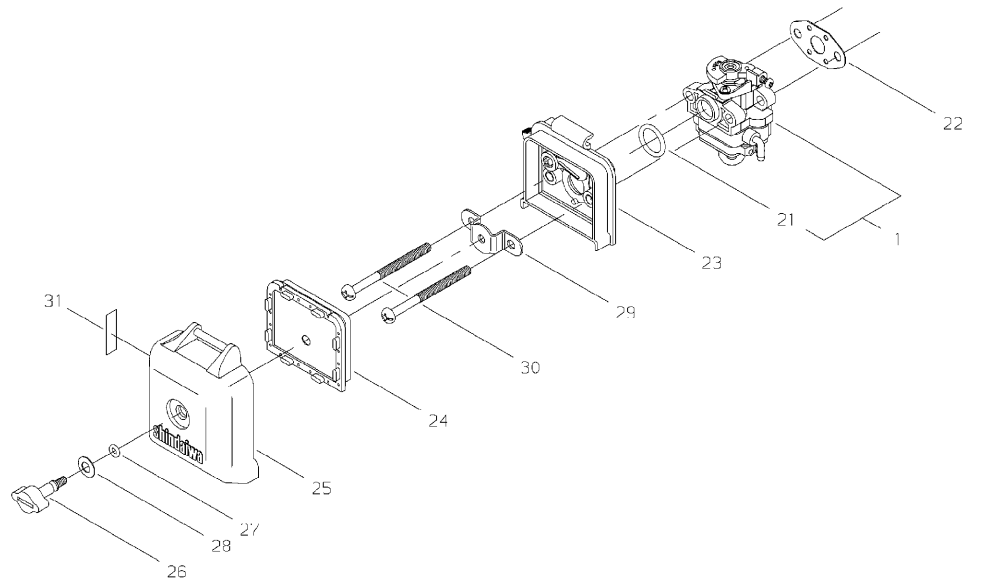
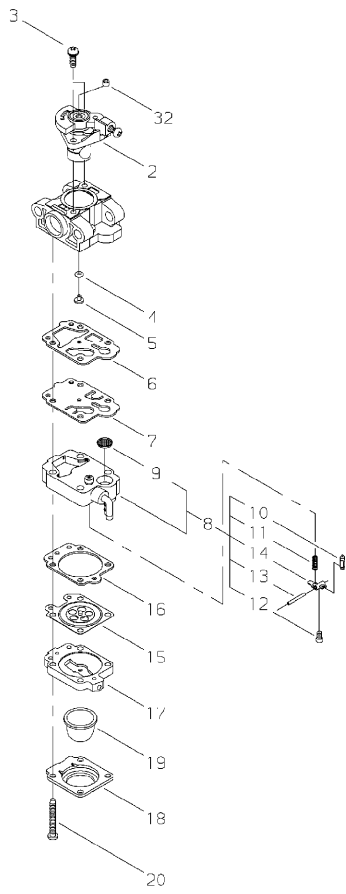


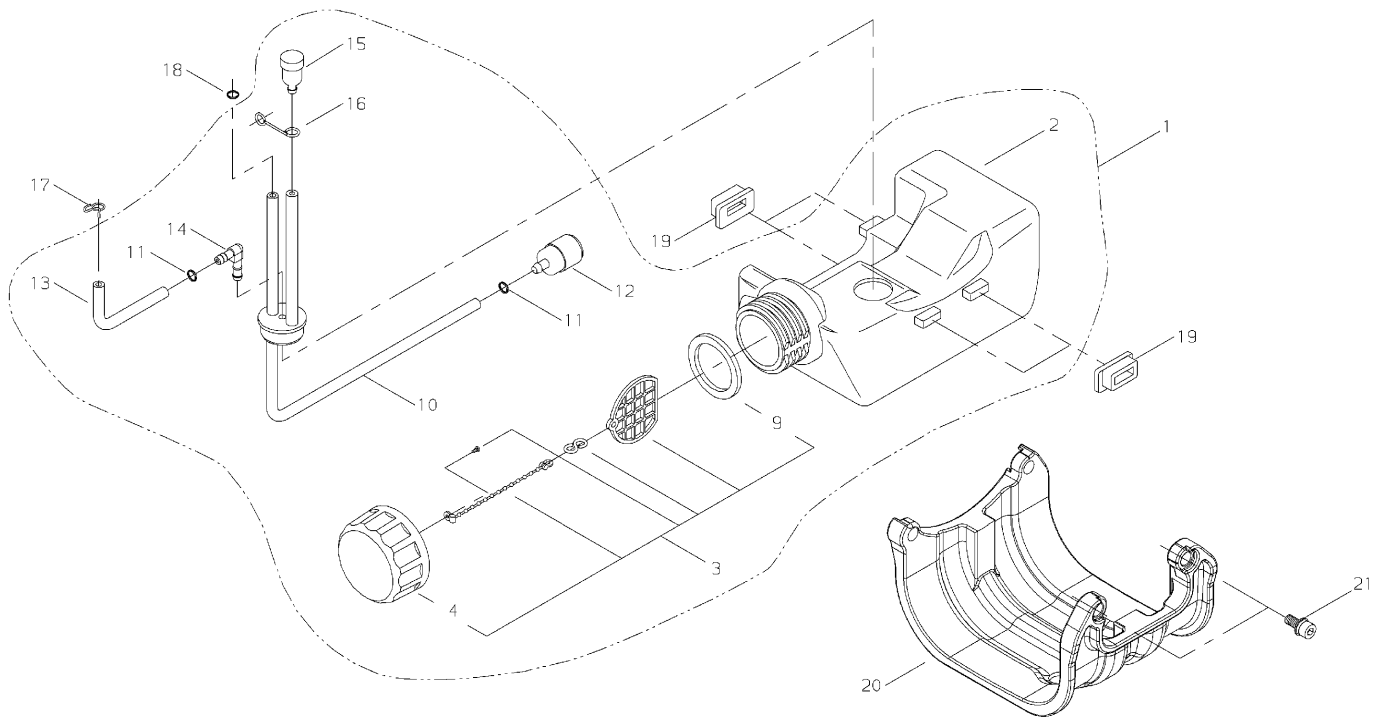


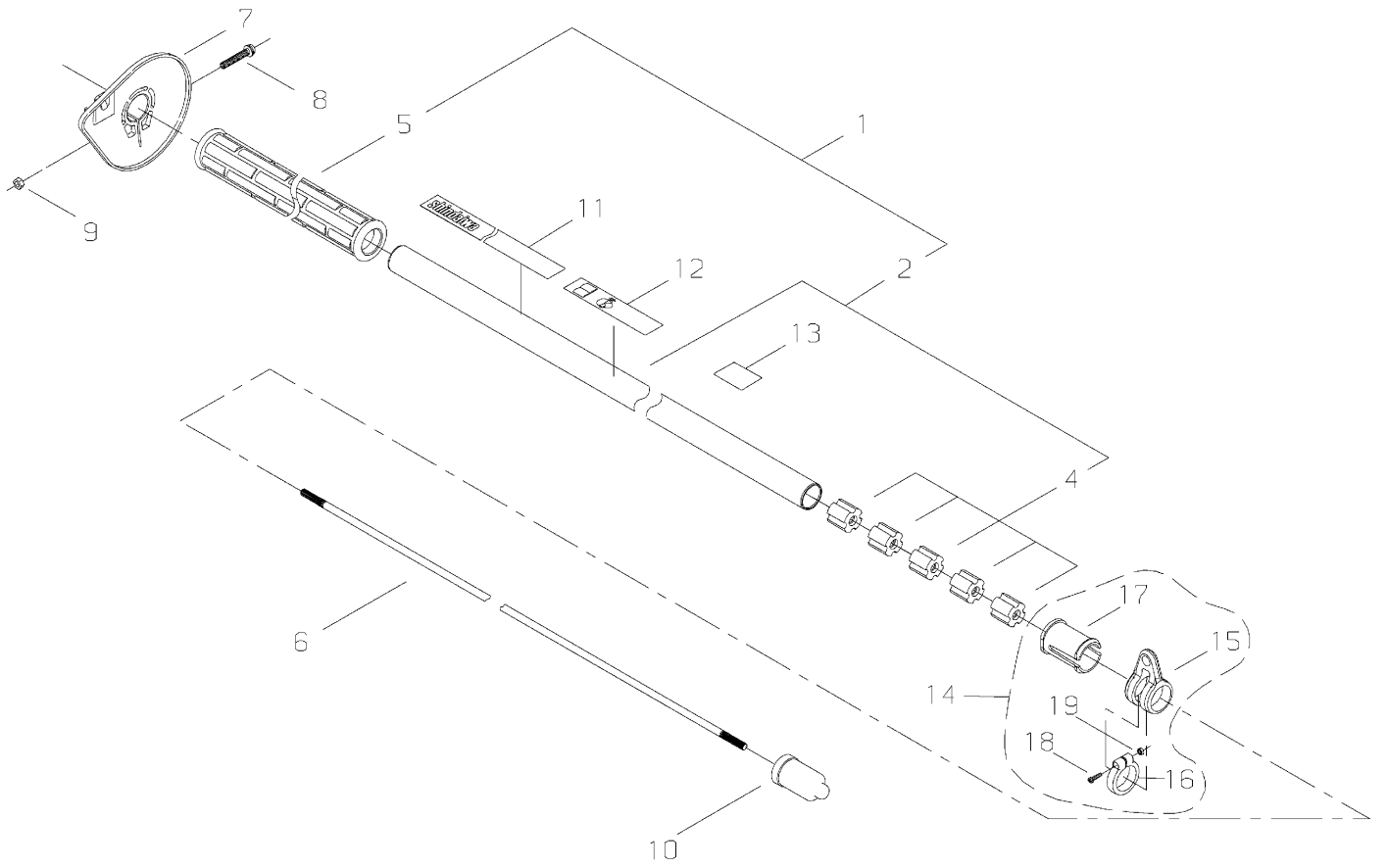


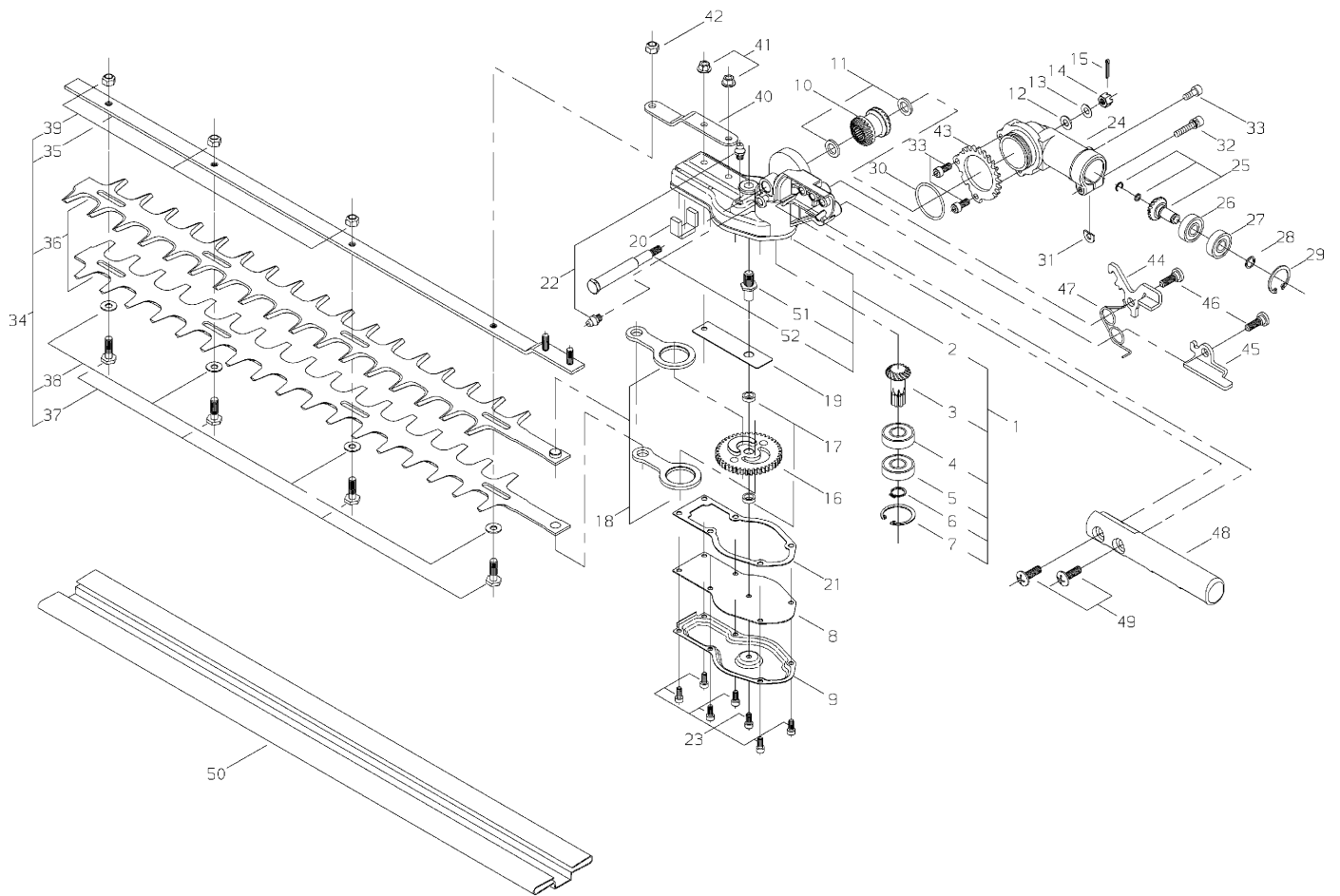












Ref. No	Part No.	Part Name	Q`ty	Remarks, Serial No.
9- 1	63840-61011	GEARCASE COMP.	1	
2	63840-61111	*GEARCASE	1	
51	68120-61320	**MAINSHAFT	1	
52	63840-61320	**SHAFT	1	
3	63840-61330	*PINION SHAFT	1	
4	37074-63310	*BEARING	1	
5	02002-06001	*BEARING	1	
6	02430-12100	*SNAP RING	1	
7	02432-28120	*SNAP RING	1	
8	68120-61120	CASE COVER	1	
9	63840-61340	COVER	1	
10	63840-61350	BEVEL GEAR	1	
11	15401-11010	COLLAR	2	
12	01613-06100	WASHER	1	
13	20024-81790	CONE WASHER	1	
14	63840-61370	NUT	1	
15	02421-16150	PIN	1	
16	68120-61130	CAM GEAR	1	
17	15401-10025	COLLAR	2	
18	68120-61170	ROD	2	
19	68120-61331	PLATE	1	
20	68120-61340	PACKING	1	
21	68120-61351	GASKET	1	
22	20870-61640	GREASE NIPPLE	2	
23	01020-04100	BOLT	7	
24	63840-63310	GEARCASE UPPER	1	
25	63840-63320	BEVEL PINION	1	
26	02000-00609	BEARING	1	
27	02002-00609	BEARING	1	
28	22420-13350	SNAP RING	1	
29	02432-24120	SNAP RING	1	
30	02304-03150	O RING	1	
31	22000-13420	SHIM	1	
32	11023-05250	BOLT SW	1	
33	01020-05120	BOLT	3	
34	38121-62010	CUTTER ASSY.	1	
35	18501-50000	*GUIDE BAR	1	
36	18500-50102	*BLADE	2	
37	20870-62110	*BOLT	4	
38	20870-62131	*WASHER	4	
39	22011-97840	*LOCK NUT	3	
40	68120-62331	HOLDER	1	
41	11526-05212	FLANGE NUT	2	
42	22011-97840	LOCK NUT	1	
43	63840-66310	ADJUST PLATE	1	
44	63840-66320	LOCK LEVER	1	
45	63840-66330	SAFETY LEVER	1	
46	22106-71441	PIN RATCHET	2	
47	17520-18601	COIL SPRING	1	
48	63840-66350	HANDLE	1	
49	01215-06208	SCREW TRUSS	2	
50	19601-01506	BLADE COVER	1	

