

shindaiwa

PARTS PRICE LIST

AH242S

Shindaiwa Corporation

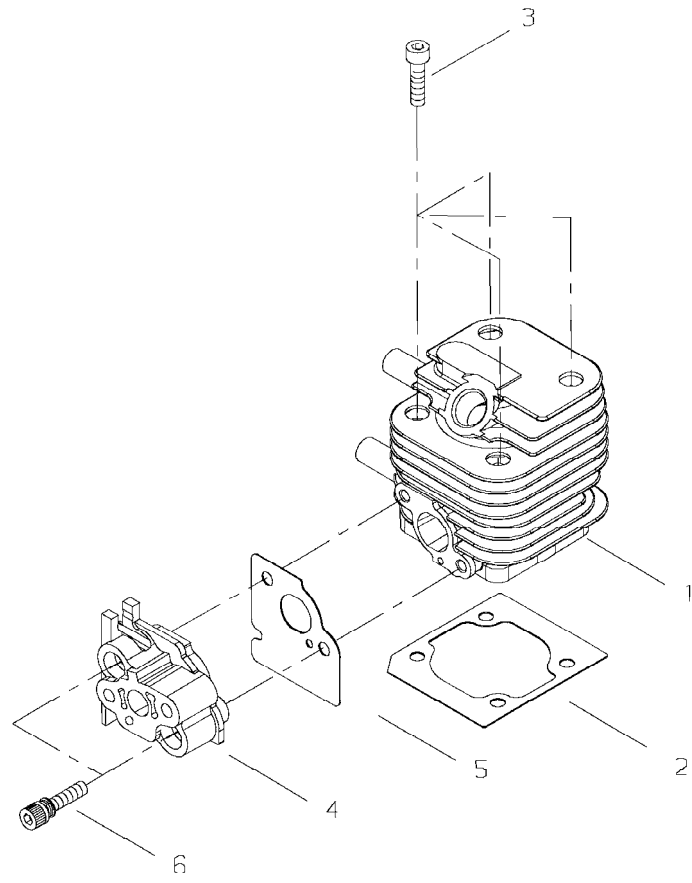
6-2-11,Ozuka-Nishi, Asaminami-ku, Hiroshima, 731-3167, Japan

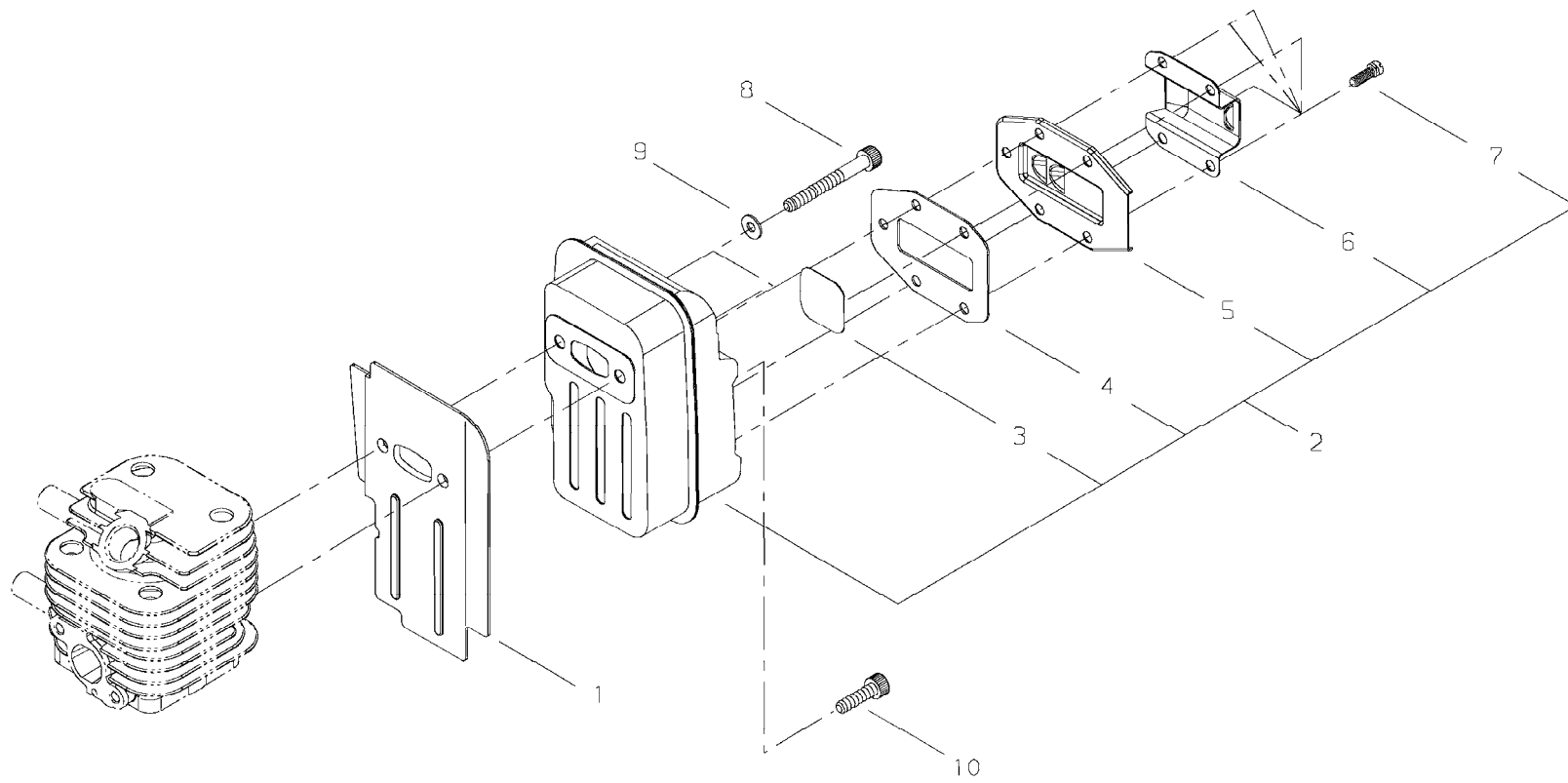
Telephone (082) 849-2005 Fax (082) 849-2481

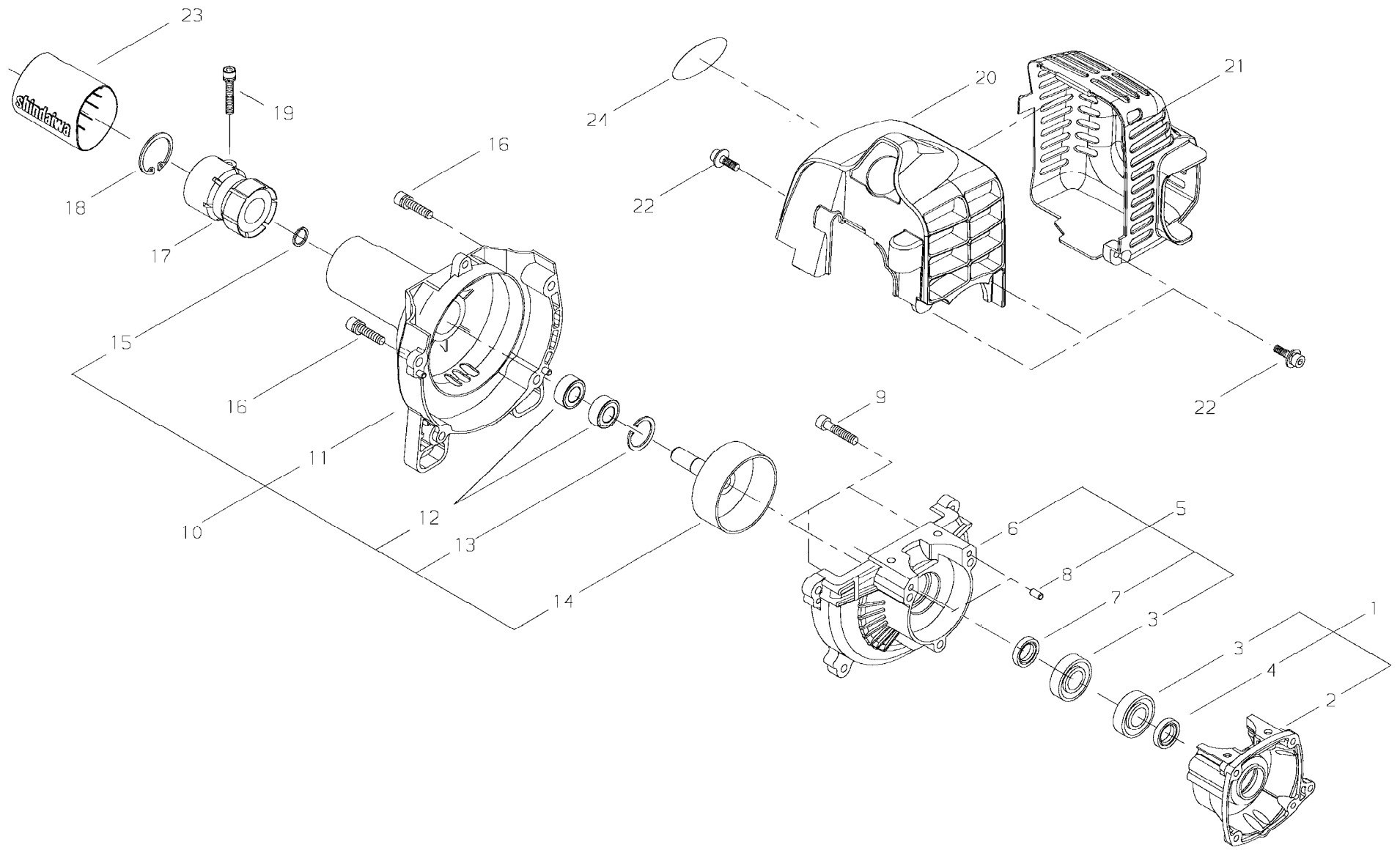
AH242S / EC2

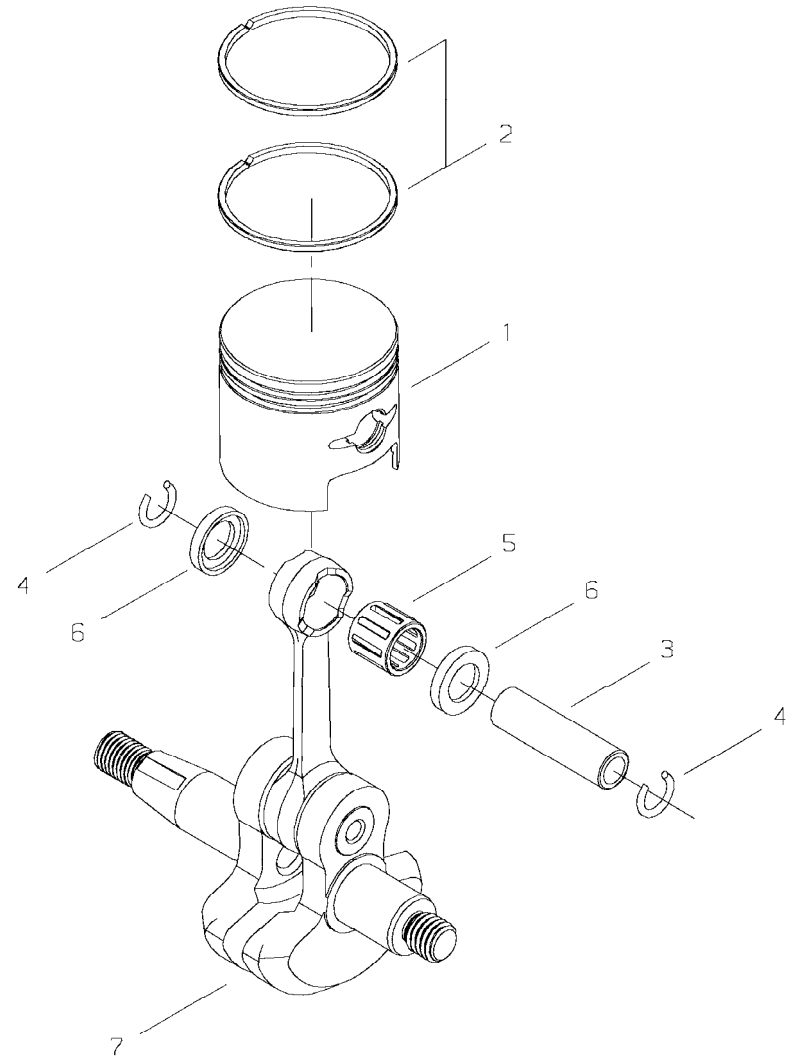
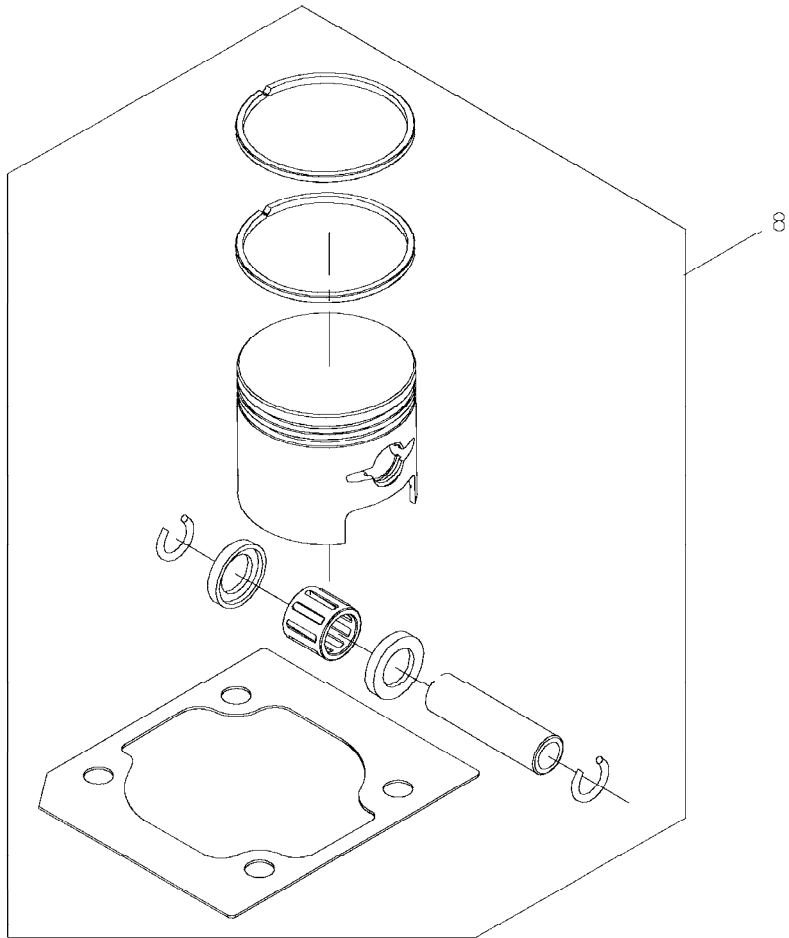
MAR . 2 , 2009

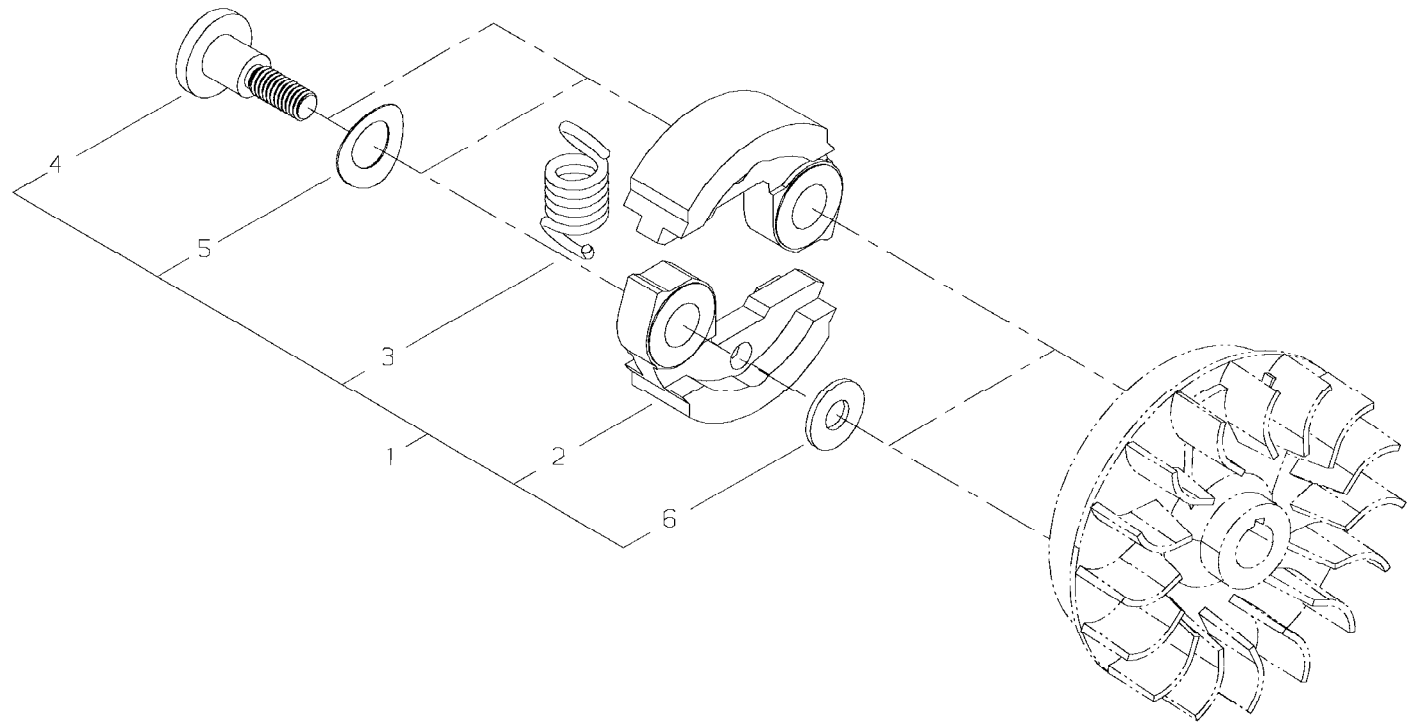
Printed in Japan

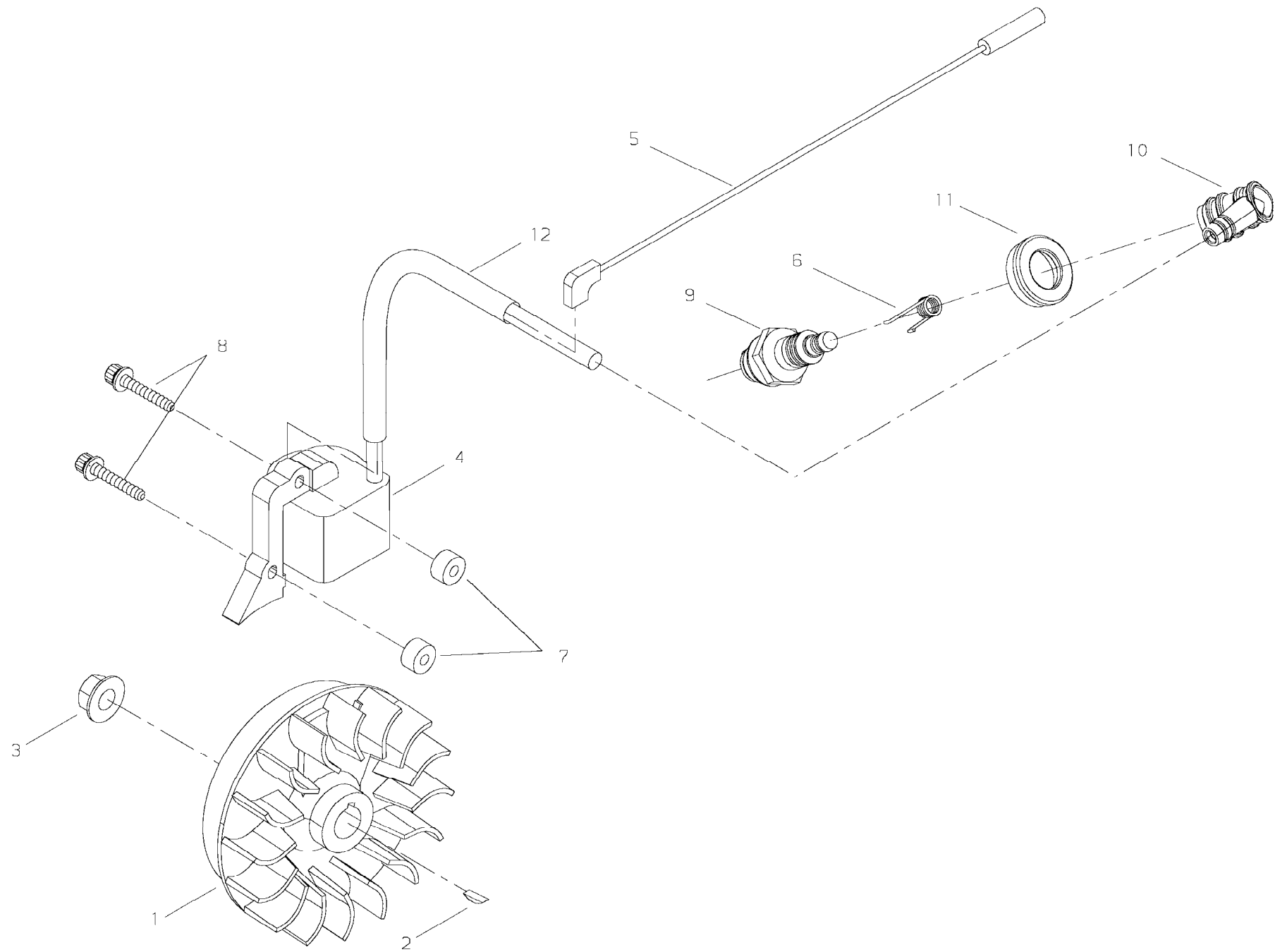


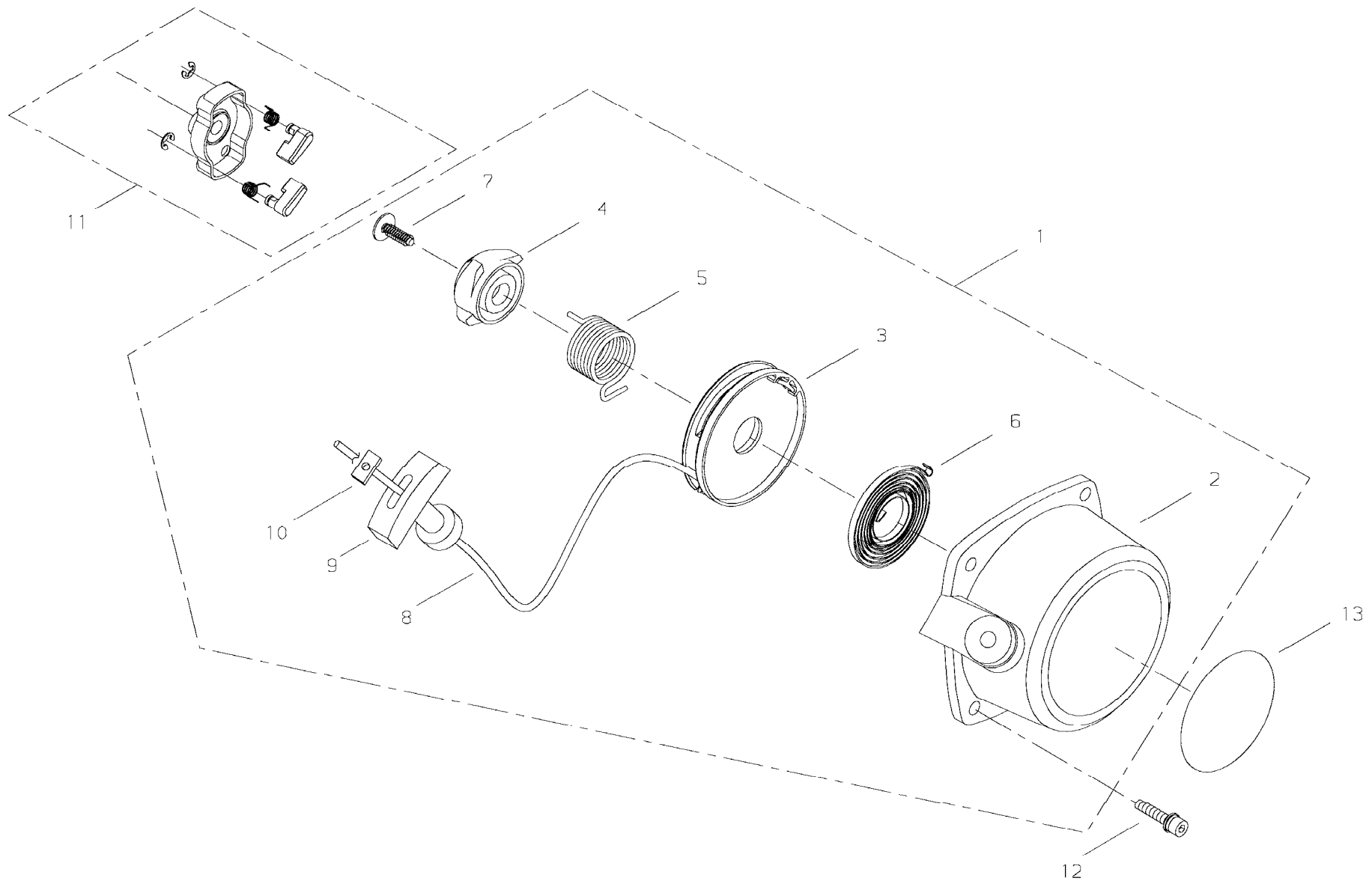


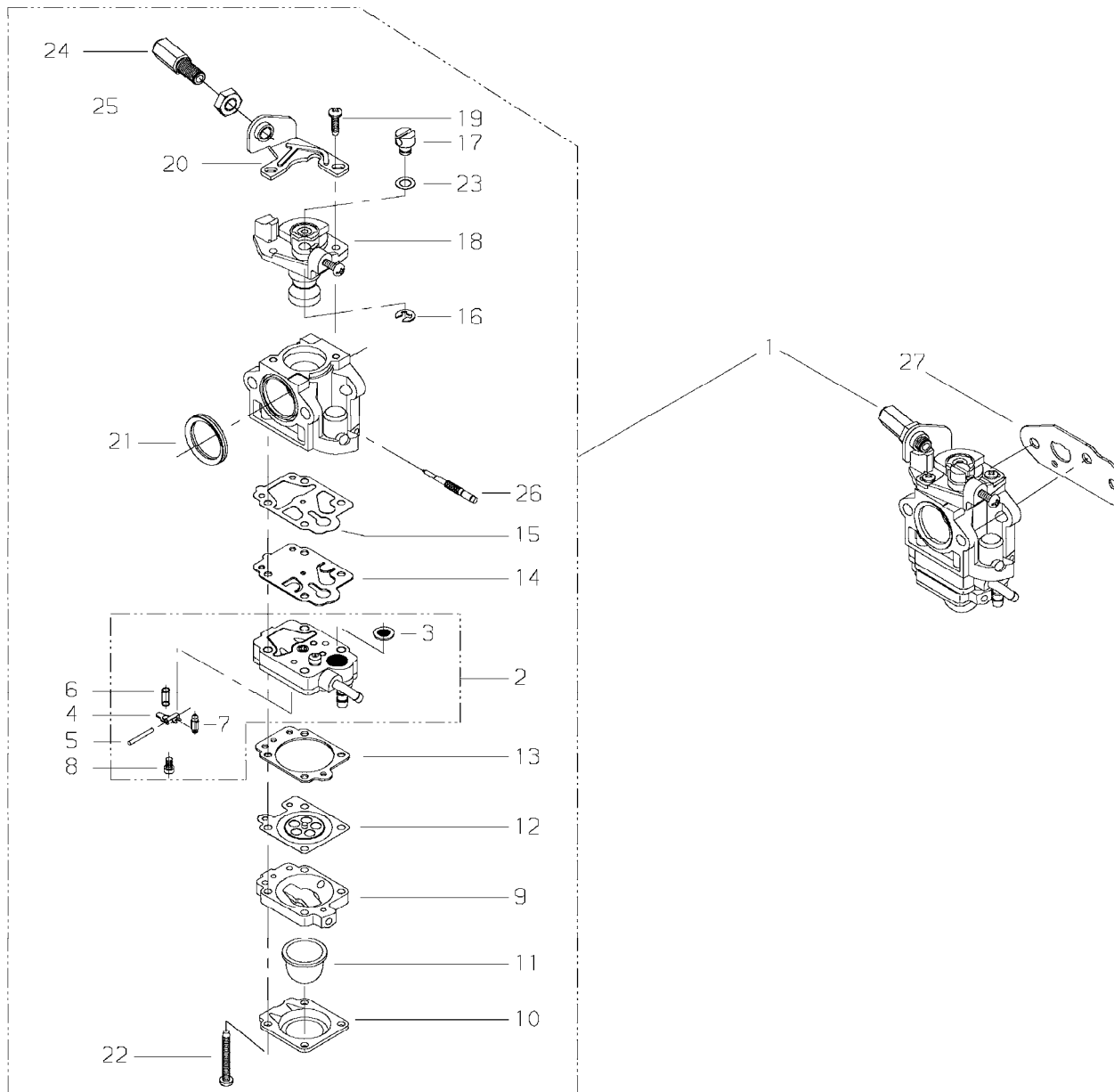


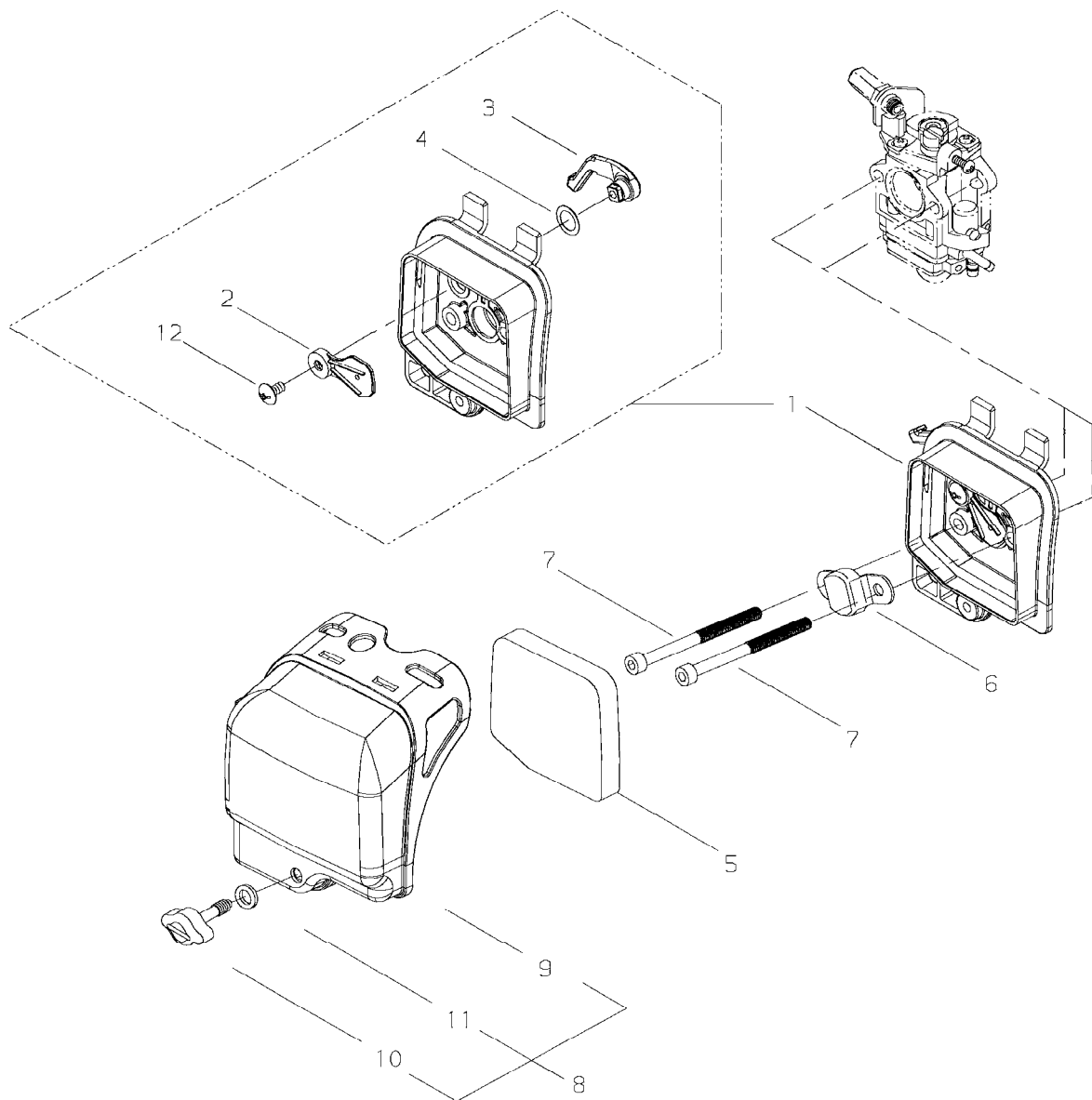


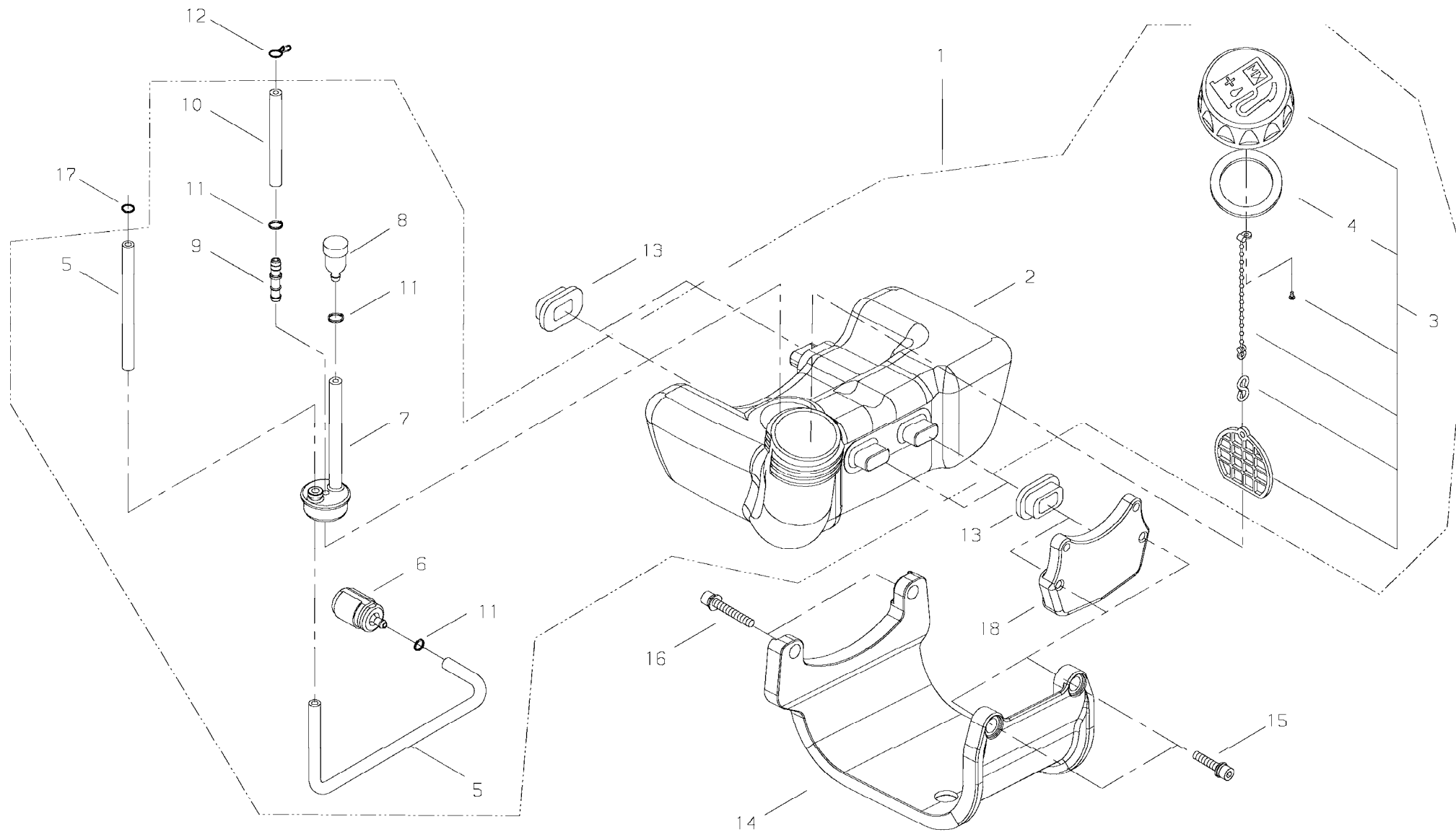


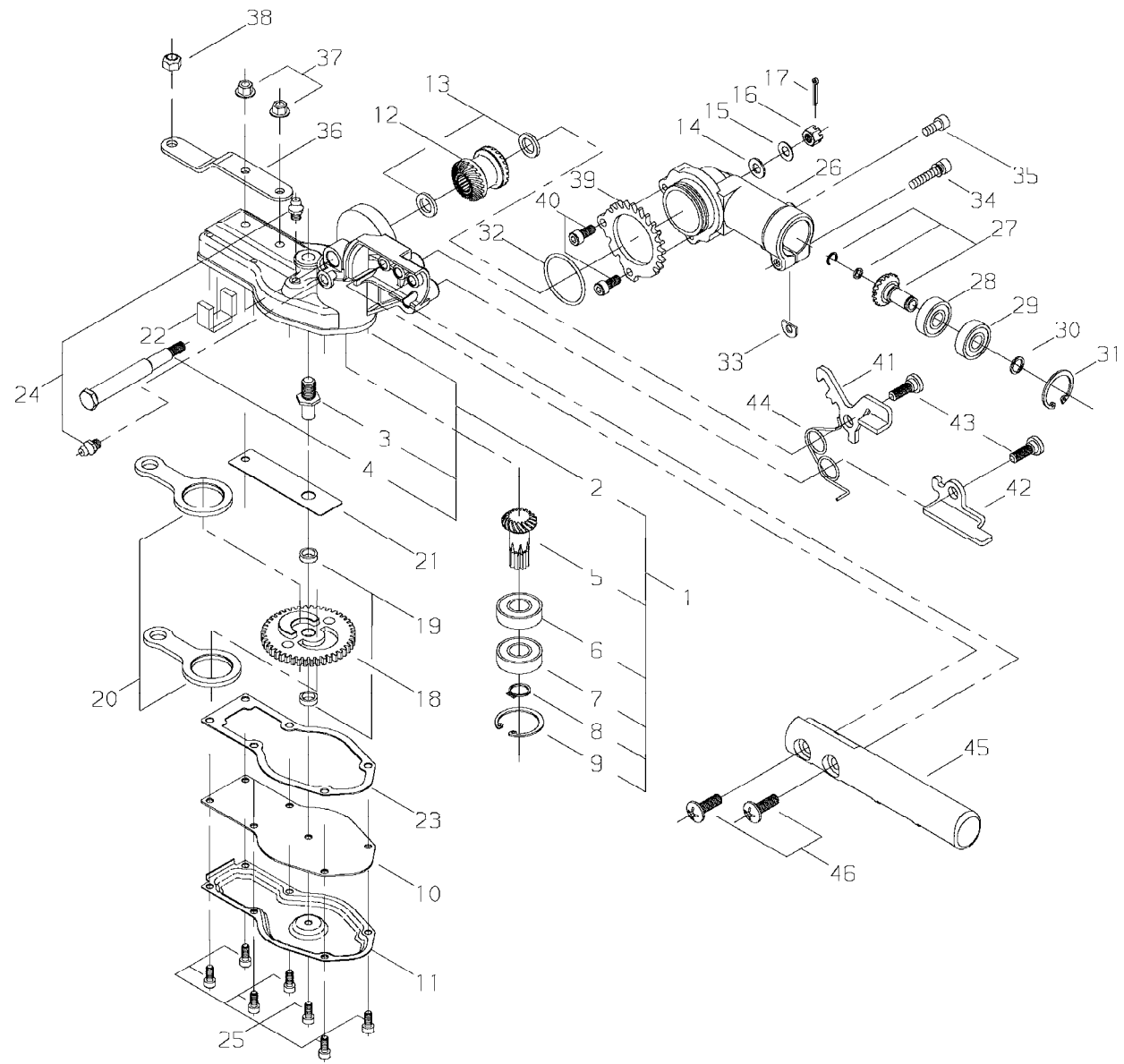












PRICE:(\$)

Ref. No.	Part No.	Part Name	Q`ty	Unit Price(\$)	Remarks
11-1	63840-61011	GEAR CASE COMP	1		
2	63840-61111	*GEAR CASE	1		
3	68120-61320	**MAIN SHAFT	1		
4	63840-61320	**SHAFT	1		
5	63840-61330	*PINION SHAFT	1		
6	02000-06001	*BALL BEARING	1		6001
7	02002-06001	*BALL BEARING	1		6001ZZ
8	02430-12100	*SNAP RING	1		12mm C
9	02432-28120	*SNAP RING	1		28mm C
10	68120-61120	CASE COVER	1		
11	63840-61340	COVER	1		
12	63840-61350	BEVEL GEAR	1		
13	15401-11010	COLLAR	2		φ16xφ10xL2
14	01613-06100	WASHER	1		6mm
15	20024-81790	CONE WASHER	1		
16	63840-61370	NUT	1		
17	02421-16150	PIN	1		1.6x15
18	68120-61130	CAM GEAR	1		
19	15401-10025	COLLAR	2		φ11xφ8xL3.4
20	68120-61170	ROD	2		
21	68120-61331	PLATE	1		
22	68120-61340	PACKING	1		
23	68120-61351	GASKET	1		
24	20870-61640	GREASE NIPPLE	2		
25	01020-04100	BOLT	7		M4x10
26	63840-63310	GEAR CASE,UPPER	1		
27	63840-63320	BEVEL PINION	1		
28	02000-00609	BALL BEARING	1		609
29	02002-00609	BALL BEARING	1		609ZZ
30	22420-13350	SNAP RING	1		
31	02432-24120	SNAP RING	1		24mm C
32	02304-03150	O RING	1		
33	22000-13420	SHIM	1		
34	11023-05250	BOLT-DW	1		M5x25
35	01020-05120	BOLT	1		M5x12
36	68120-62331	HOLDER	1		
37	11526-05212	FLANGE NUT	2		M5
38	22011-97840	LOCK NUT	1		

