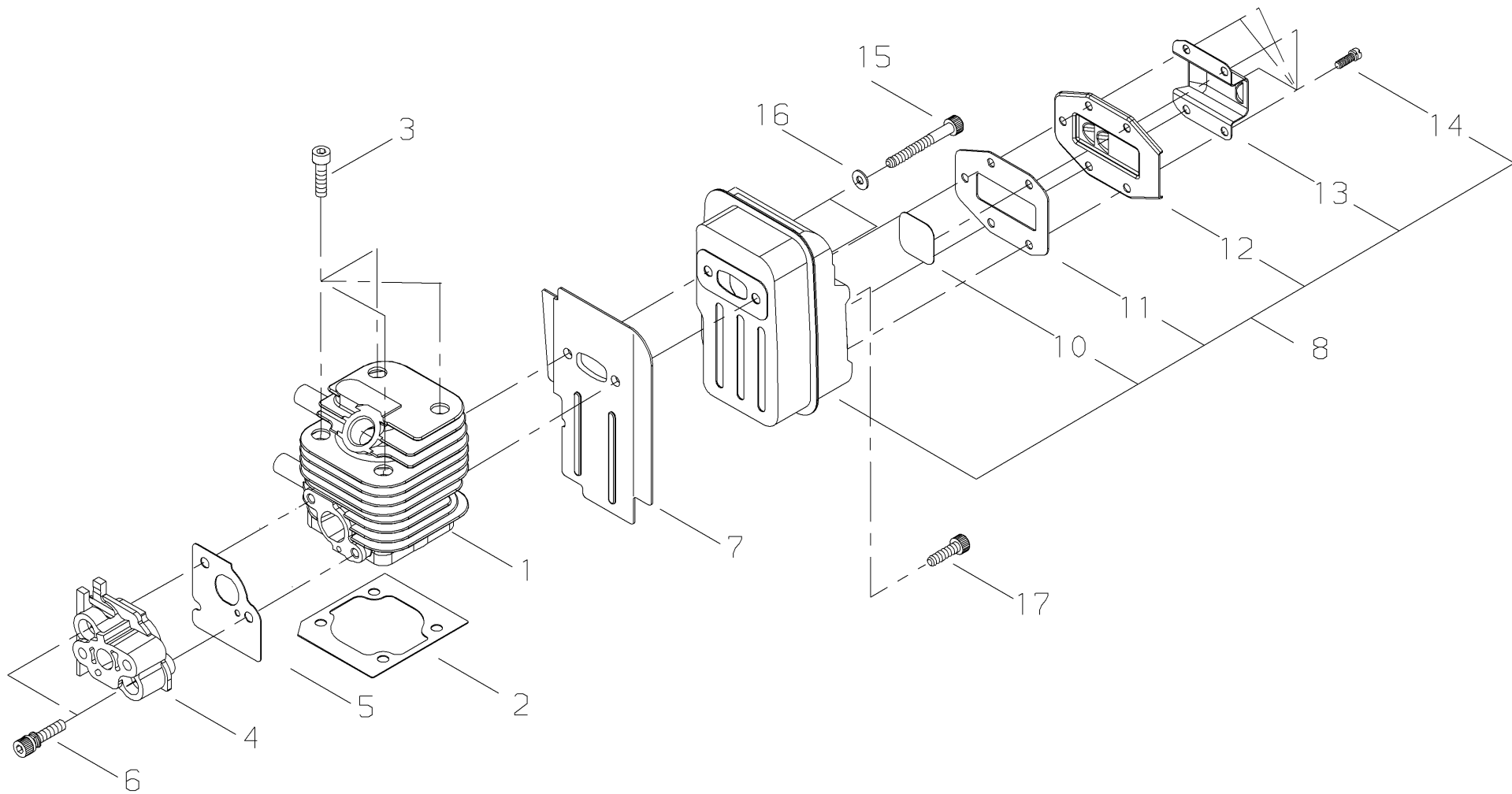




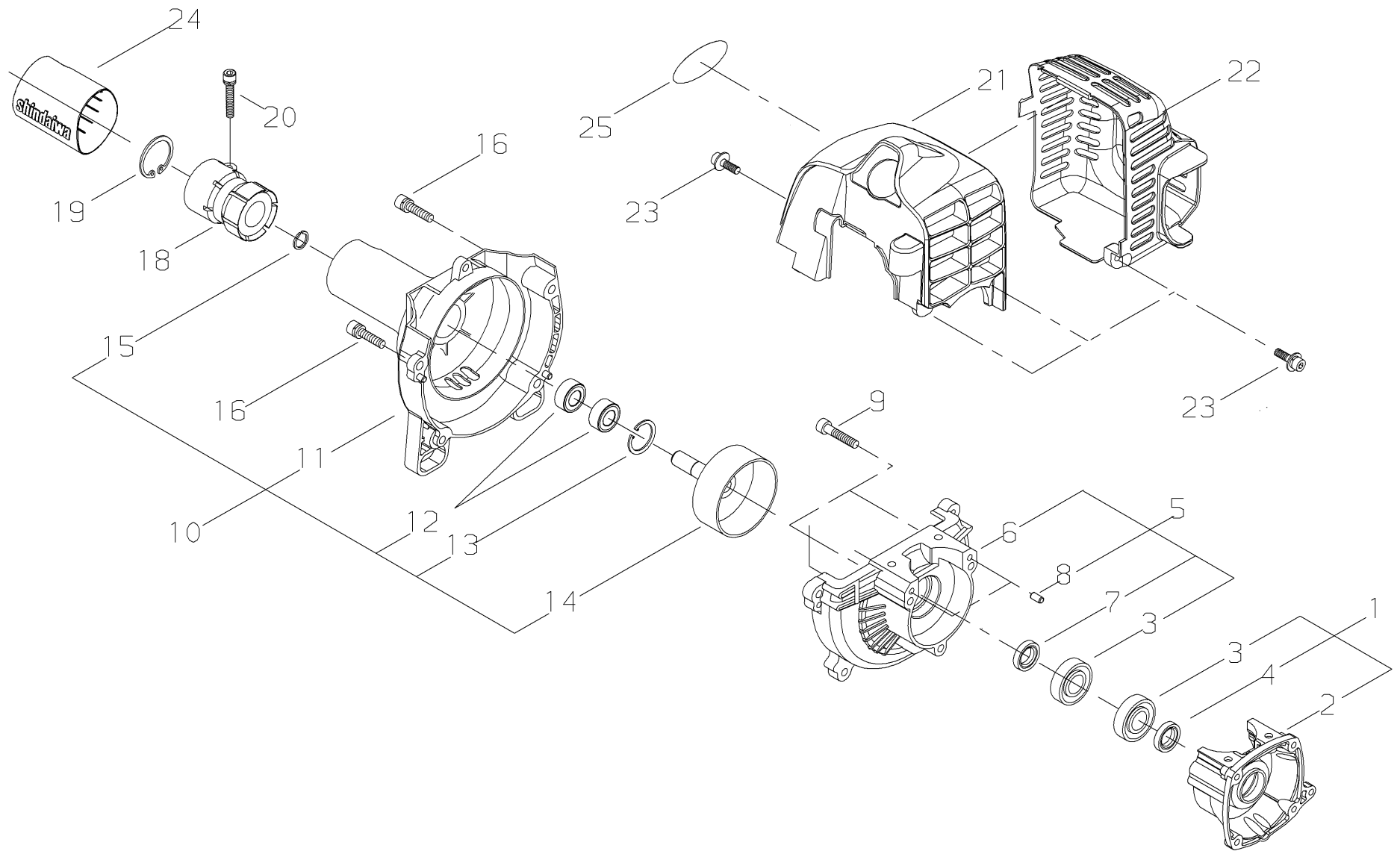
SHINDAIWA
Preliminary IPL
AHS242s/EC2

DRAFT

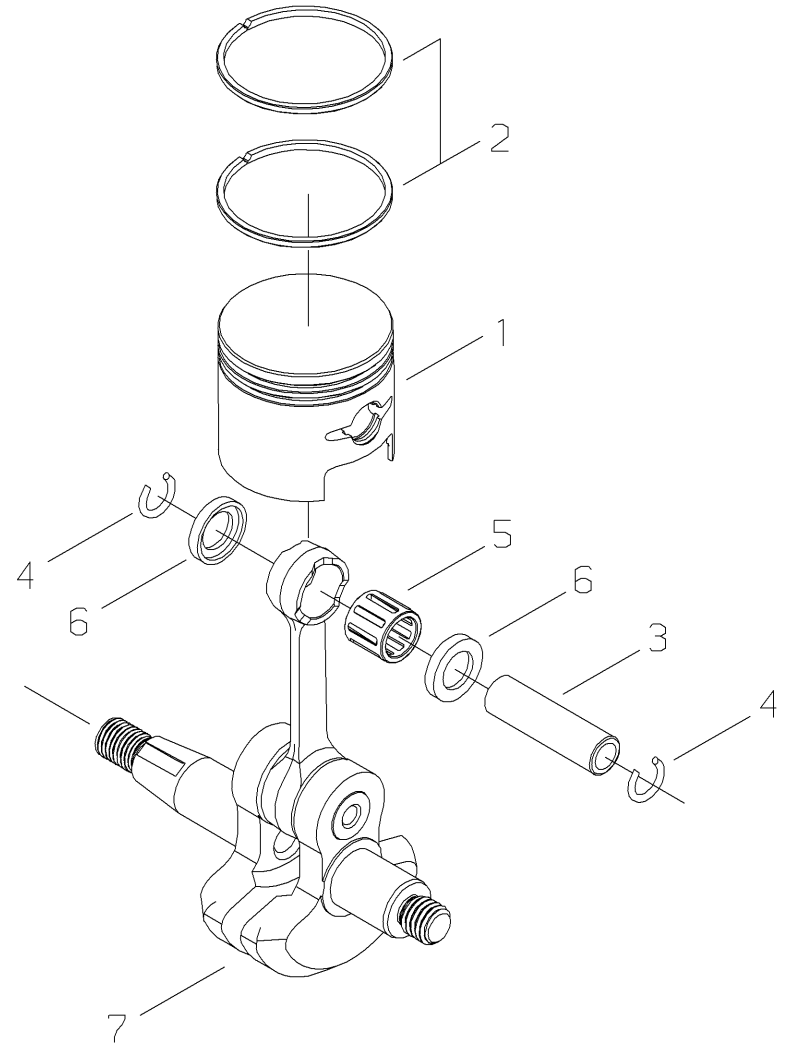
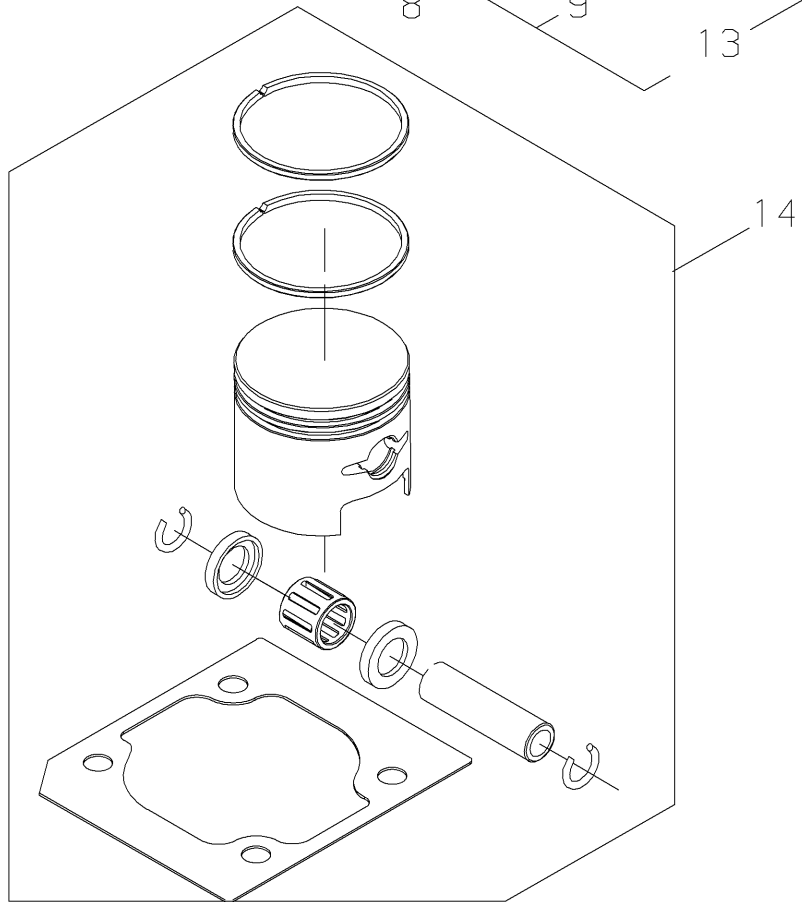
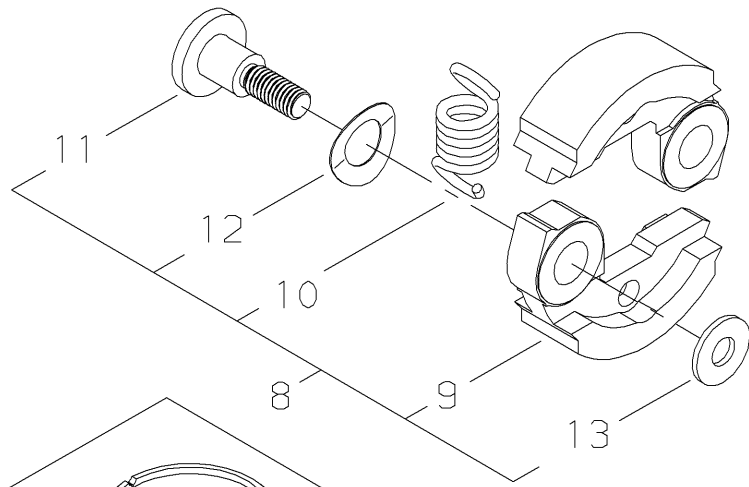




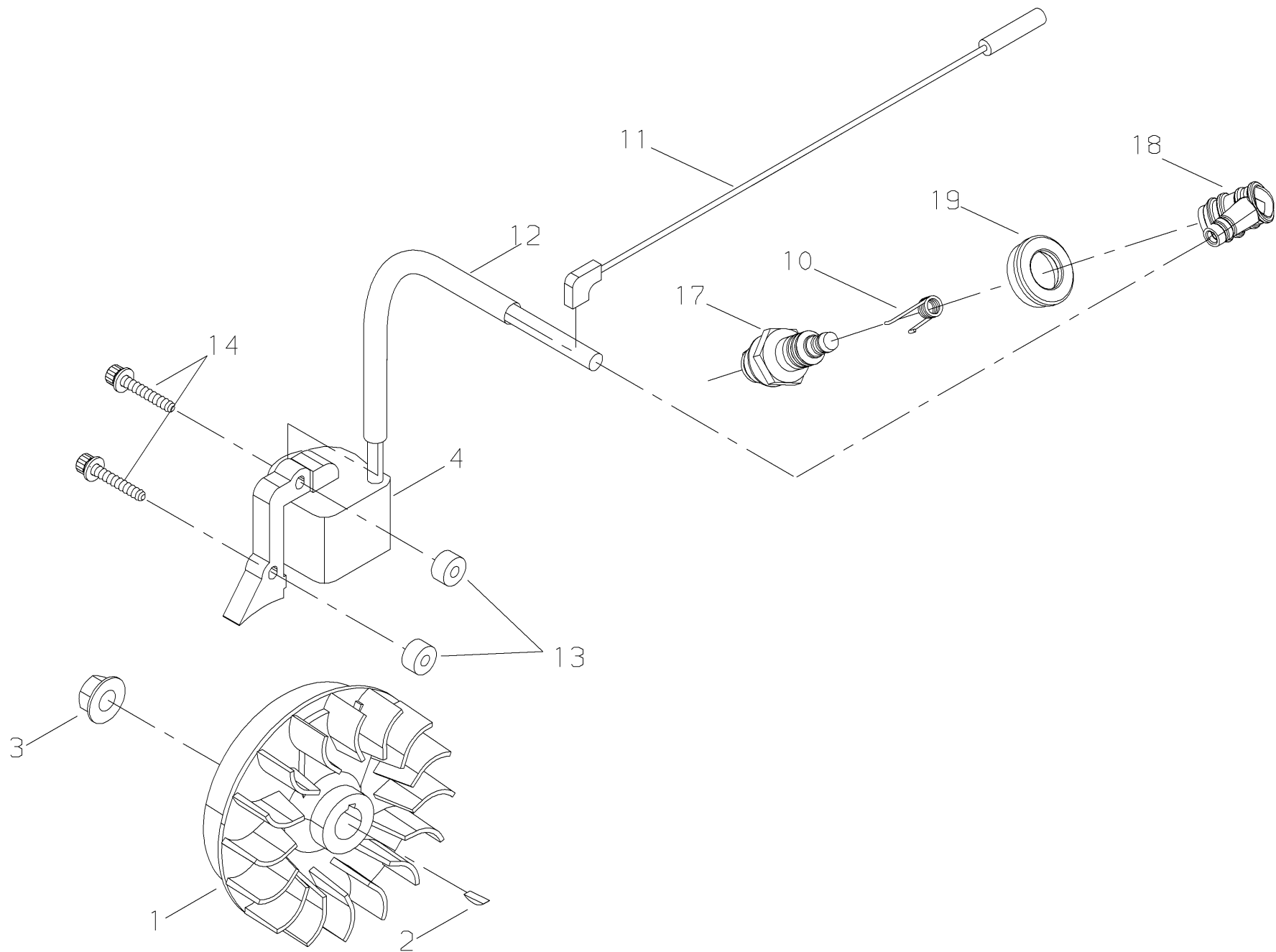
Ref. No	Part No.	Part Name	Qty	Remarks
1- 1	62100-12111	CYLINDER	1	
2	62100-12120	GASKET	1	
3	01020-05160	BOLT	4	
4	62100-12212	INSULATOR	1	
5	62100-12220	GASKET	1	
6	11022-05300	BOLTSW	2	
7	37033-15212	GASKETMUFFLER	1	
8	62100-15012	MUFFLERASSY	1	
10	62100-15370	*SCREEN	1	
11	62100-15401	*GASKET	1	
12	62100-15381	*TAILPLATE	1	
13	62100-15392	*TAILPLATE	1	
14	01211-04080	*SCREWSW	5	
15	01020-05555	BOLT	2	
16	01610-05085	WASHER	2	
17	01020-05120	BOLT	1	



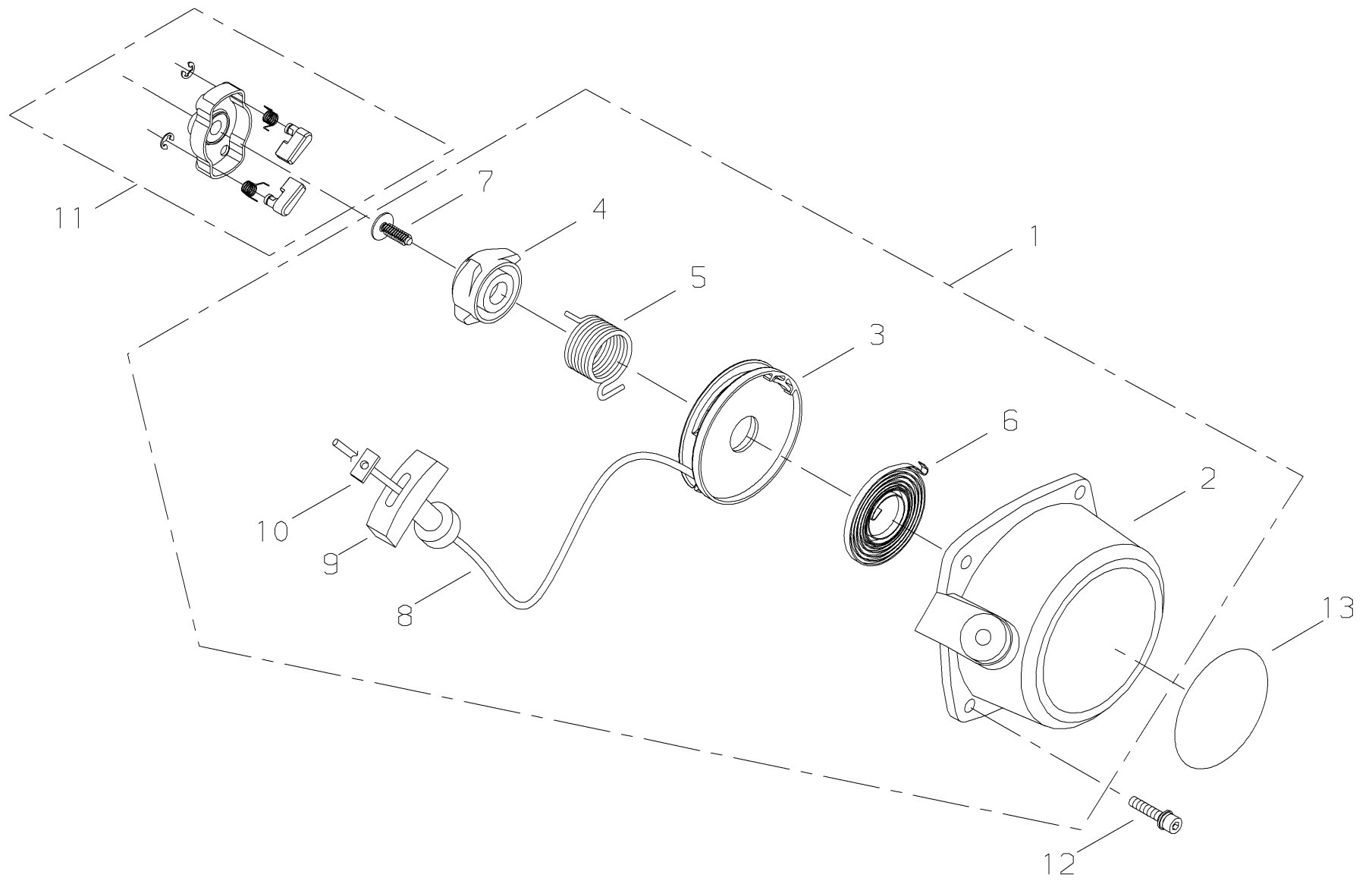
Ref. No	Part No.	Part Name	Qty	Remarks
2-1	62100-21010	CRANKCASESCOMP	1	
2	62100-21111	*CRANKCASES	1	
3	12900-60010	*BEARING	1	
4	37013-21120	*OILSEAL	1	
5	62100-21020	CRANKCASEMCOMP	1	
6	62100-21211	*CRANKCASEM	1	
3	12900-60010	*BEARING	1	
7	20000-21211	*OILSEAL	1	
8	12492-40080	*ROLLER	2	
9	01020-05250	BOLT	3	
10	62100-31013	FANCOVERASSY	1	New Part
11	62100-31111	*FANCOVER	1	
12	37004-63310	*BEARING	2	
13	02432-26120	*SNAPRING	1	
14	20087-31210	*CLUTCHDRUM	1	
15	22000-13320	*SNAPRING	1	
16	11022-05180	BOLTSPW	2	
18	20087-31411	JOINT	1	
19	02432-40170	SNAPRING	1	
20	11020-05160	BOLT SW	1	
21	62100-32111	CYLINDERCOVER	1	
22	62100-32311	MUFFLERCOVER	1	
23	11024-04160	BOLTSLPW	4	
24	62100-31311	PROTECTOR	1	
25	62121-91330	LABELTRADE	1	New Part



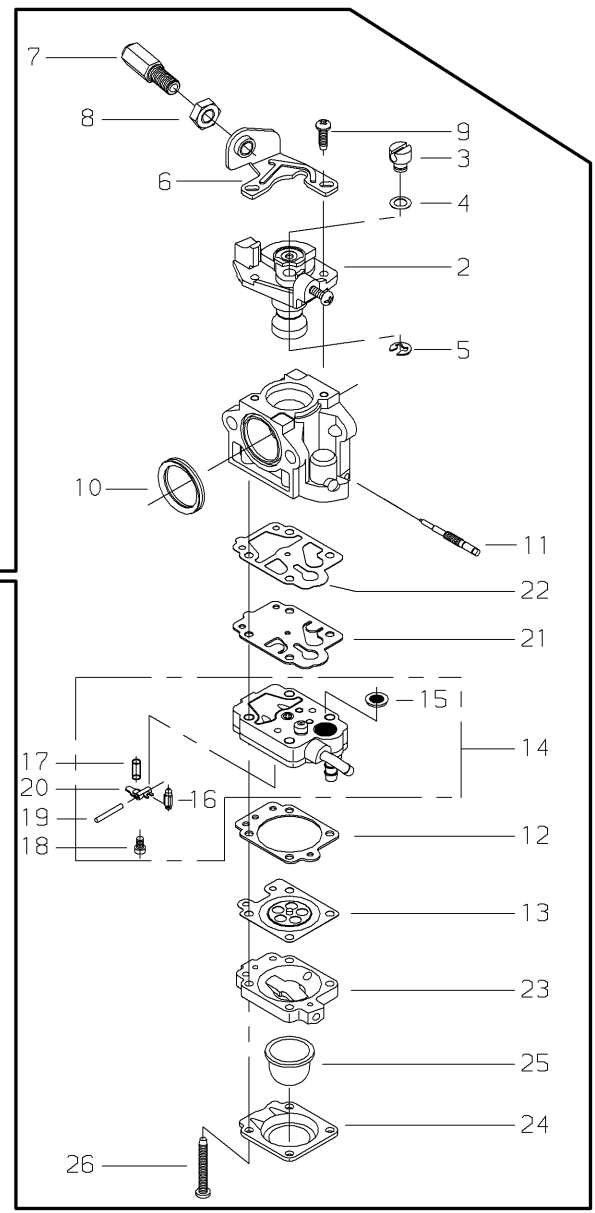
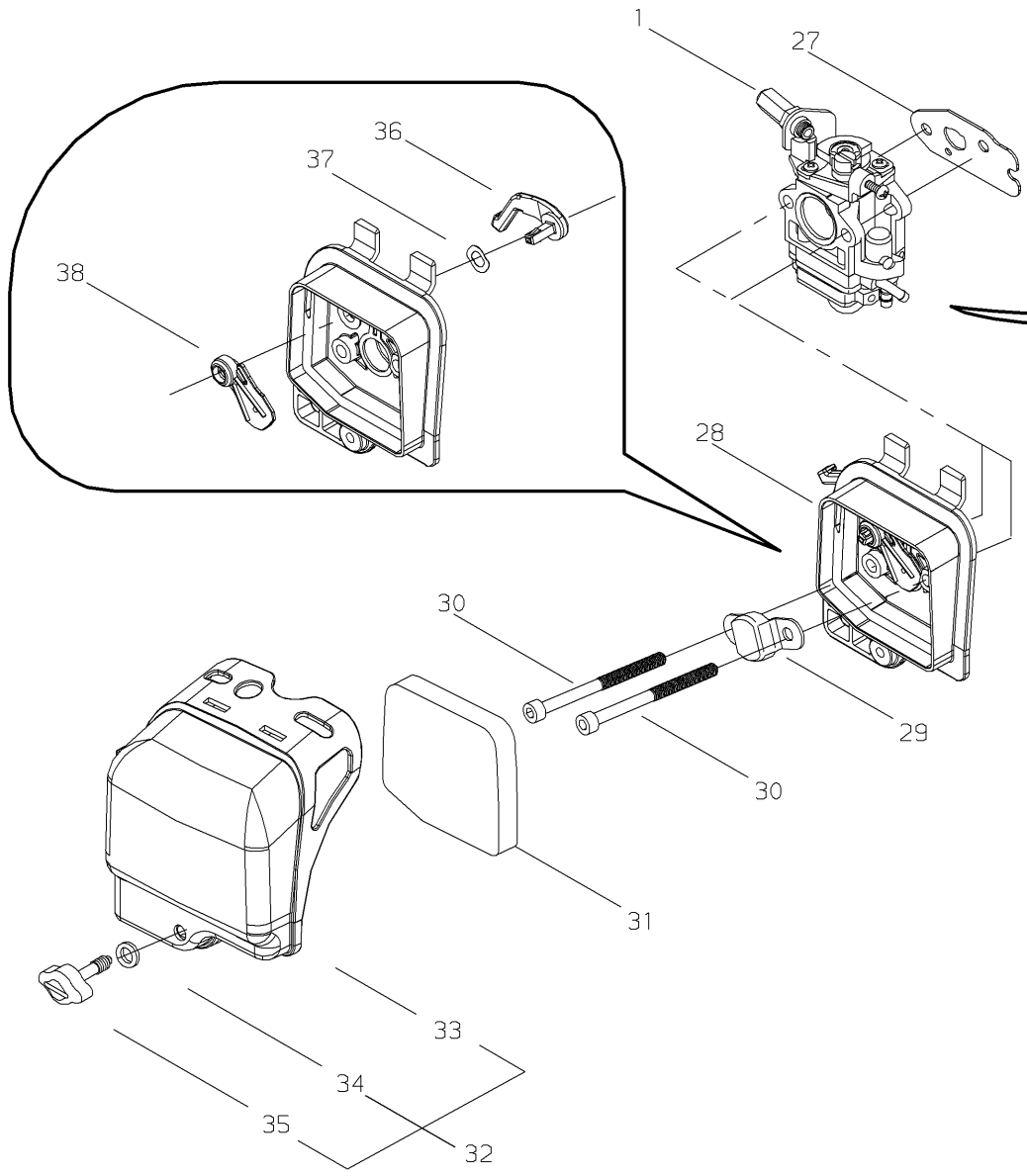
Ref. No	Part No.	Part Name	Qty	Remarks
3- 1	62100-41111	PISTON	1	
2	72933-41210	PISTONRING	2	
3	72933-41310	PISTONPIN	1	
4	70030-41320	SNAPRING	2	
5	37013-41230	NEEDLEBEARING	1	
6	37013-41240	THRUSTWASHER	2	
7	62100-42011	CRANKSHAFT	1	
8	70157-51101	CLUTCHSHOEASSY	1	
9	70140-51113	*CLUTCHSHOE	2	
10	37013-51310	*COILSPRING	1	
11	20087-51210	*BOLT	2	
12	20087-51231	*SPRINGPLATE	2	
13	22100-71430	*WASHER	2	
14	60114-98310	PISTONSET	1	



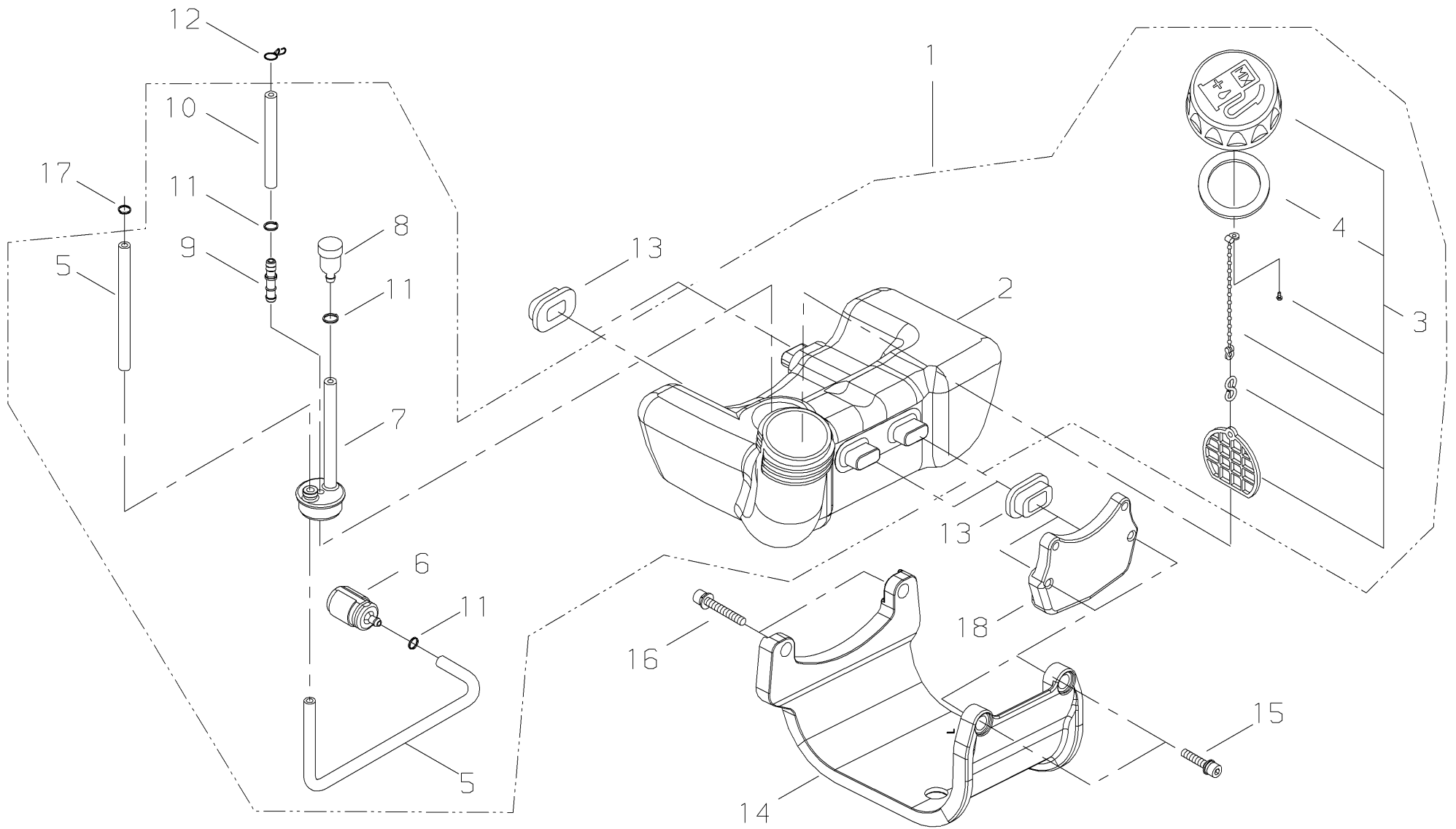
Ref. No	Part No.	Part Name	Qty	Remarks
4-1	37019-71110	ROTOR	1	
2	12408-03100	KEY	1	
3	20035-71220	NUT	1	
10	20000-72230	SPRINGSPARKPLUG	1	
11	14352-02100	LEADWIRE	1	
12	62100-71310	TUBE	1	
13	70030-71620	INSULATOR	2	
14	11060-04204	BOLTADHESIVE	2	
17	13000-13506	SPARKPLUGBPMR6A	1	
18	22160-72220	PLUGCAP	1	
19	22160-72260	SEALCAP	1	



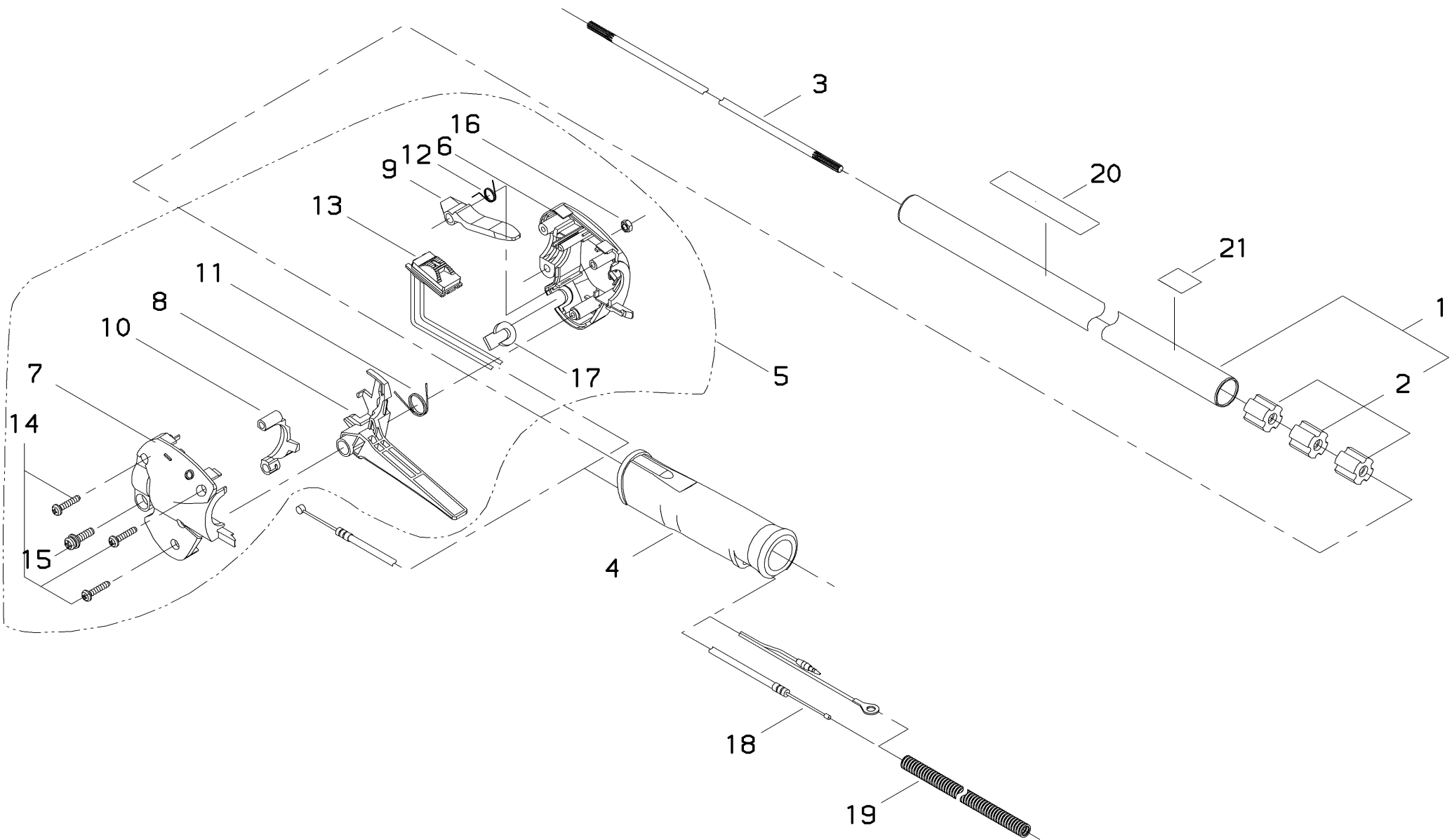
Ref. No	Part No.	Part Name	Qty	Remarks
5- 1	37076-75010	RECOILSTARTERASSY	1	
2	37076-75110	*STARTERCASE	1	
3	37076-75120	*REEL	1	
4	37076-75310	*CAM	1	
5	37076-75320	*COILSPRING	1	
6	70030-75130	*RECOILSPRING	1	
7	37013-75310	*SCREW	1	
8	37076-75140	*ROPE	1	
9	20010-75190	*STARTERKNOB	1	
10	20010-75210	*STOPPER	1	
11	37076-75020	STARTERPULLYASSY	1	
12	11024-04200	BOLTSW	2	
13	68145-91320	LABELTRADE	1	



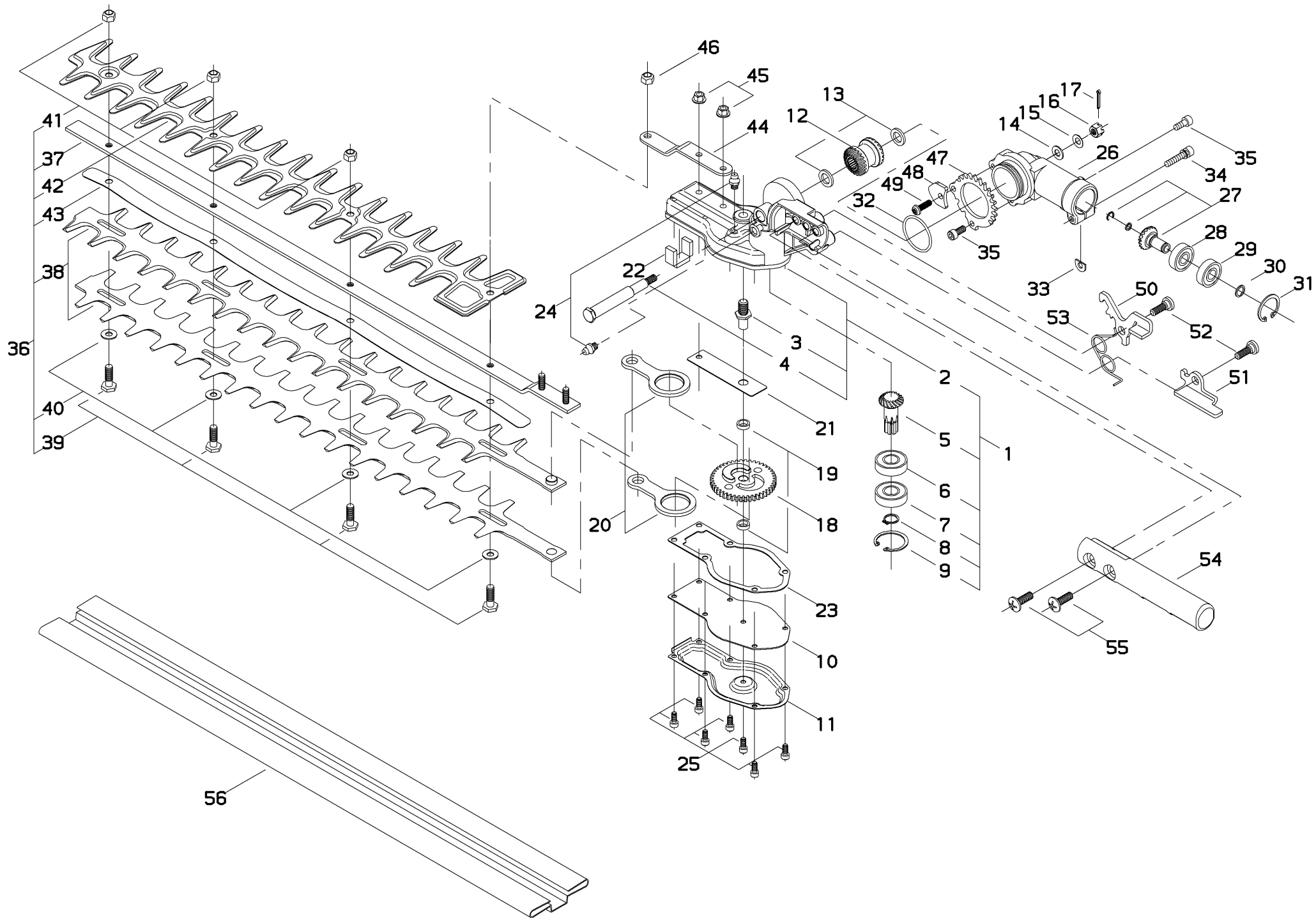
Ref. No	Part No.	Part Name	Qty	Remarks
6- 1	62100-81010	CARBURETORASSY	1	
2	62100-81310	*VALVEASSY	1	
3	72933-81450	*SWIVEL	1	
4	20089-81185	*WASHER	1	
5	20036-81195	*ERING	1	
6	20089-81130	*BRACKET	1	
7	62902-83310	*CABLEADJUSTER	1	
8	20036-81120	*NUT	1	
9	70097-81290	*SCREW	2	
10	72933-81250	*RINGGASKET	1	
11	62100-81320	*NEEDLE	1	
12	20016-81280	*GASKET	1	
13	37013-81310	*DIAPHRAGM	1	
14	37013-81350	*PUMPBODYASSY	1	
15	70030-81380	**SCREEN	1	
16	20036-81440	**NEEDLEVALVE	1	
17	72933-81270	**SPRING	1	
18	20016-81450	**SCREW	1	
19	22100-81250	**PIN	1	
20	22100-81230	**LEVER	1	
21	70097-81320	*DIAPHRAGM	1	
22	70097-81310	*GASKETPUMP	1	
23	20016-81420	*PUMPBASECOMP	1	
24	20016-81510	*PUMPCOVER	1	
25	20036-81670	*PRIMERPUMP	1	
26	20016-81140	*SCREW	4	
27	62100-81210	GASKET	1	
28	62100-82012	CLEANERBODYASSY	1	
36	37076-82331	*CHOKELEVER	1	
37	37013-82310	*WAVEWASHER	1	
38	37076-82321	*CHOKEPLATE	1	
29	62100-82310	BACKPLATE	1	
30	01020-05605	BOLT	2	
31	62100-82120	FILTER	1	
32	62100-82031	CLEANERCOVERASSY	1	
33	62100-82130	*CLEANERCOVER	1	
34	23627-21220	*COLLAR	1	
35	37033-82320	*KNOB	1	



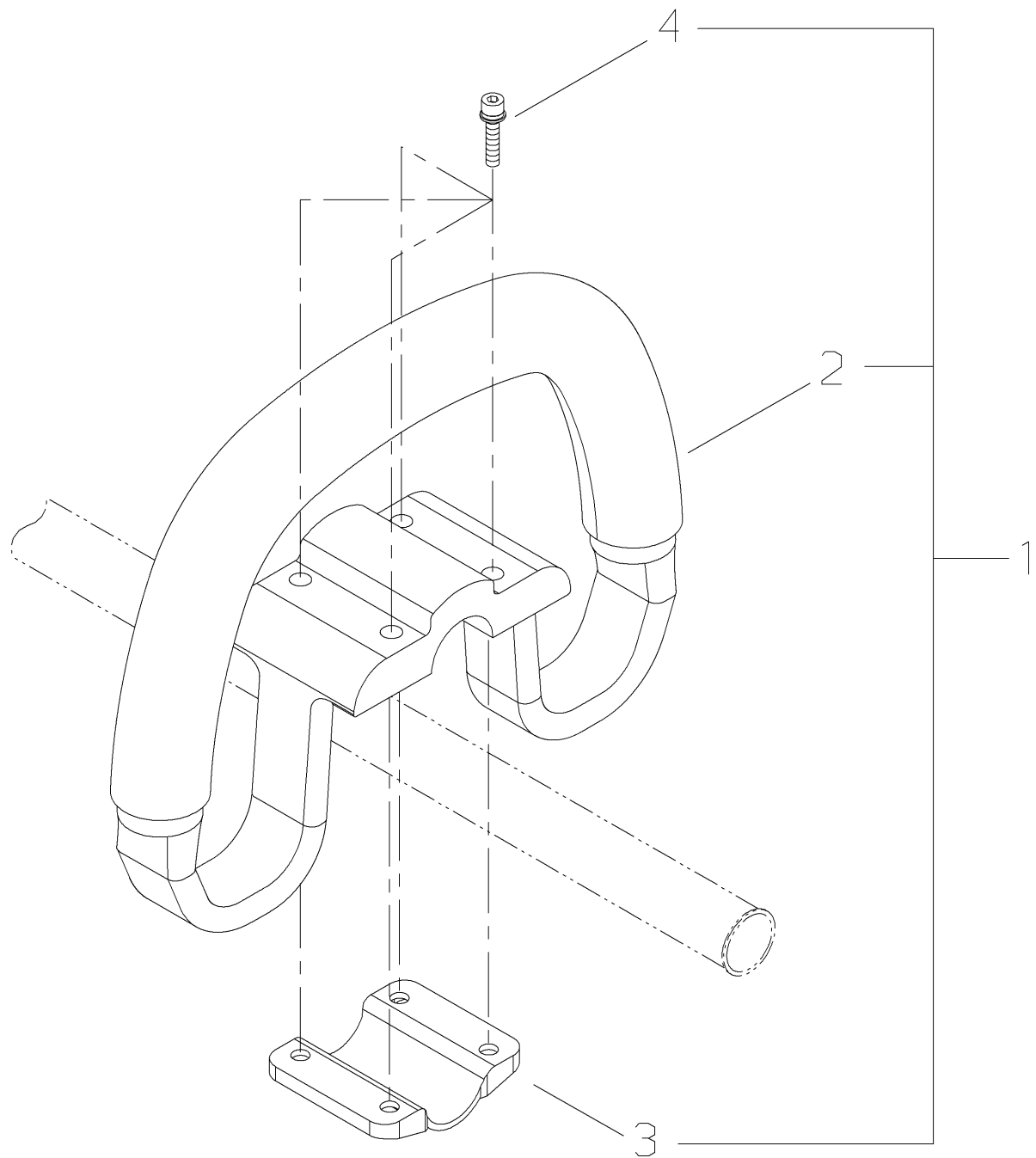
Ref. No	Part No.	Part Name	Qty	Remarks
7- 1	62100-85014	FUELTANKASSY	1	
2	62100-85113	*FUELTANK	1	
3	68204-85020	*FUELCAPASSY	1	
4	20000-85221	**GASKET	1	
5	62035-85310	*FUELPIPE	1	
6	20016-85400	*FUELFILTER	1	
7	72933-85350	*GROMMET	1	
8	20035-85522	*VALVE	1	
9	72933-85620	*JOINT	1	
10	20112-85361	*PIPE	1	
11	20020-85540	*CLIP	3	
12	37013-85310	CLIP	1	
13	62901-85220	TANKCUSHION	4	
14	62100-85310	TANKGUARD	1	
15	11022-05180	BOLTSPW	2	
16	11022-05400	BOLTSW	2	
17	20020-85540	CLIP	1	
18	37076-85211	TANKBRACKET	1	New Part



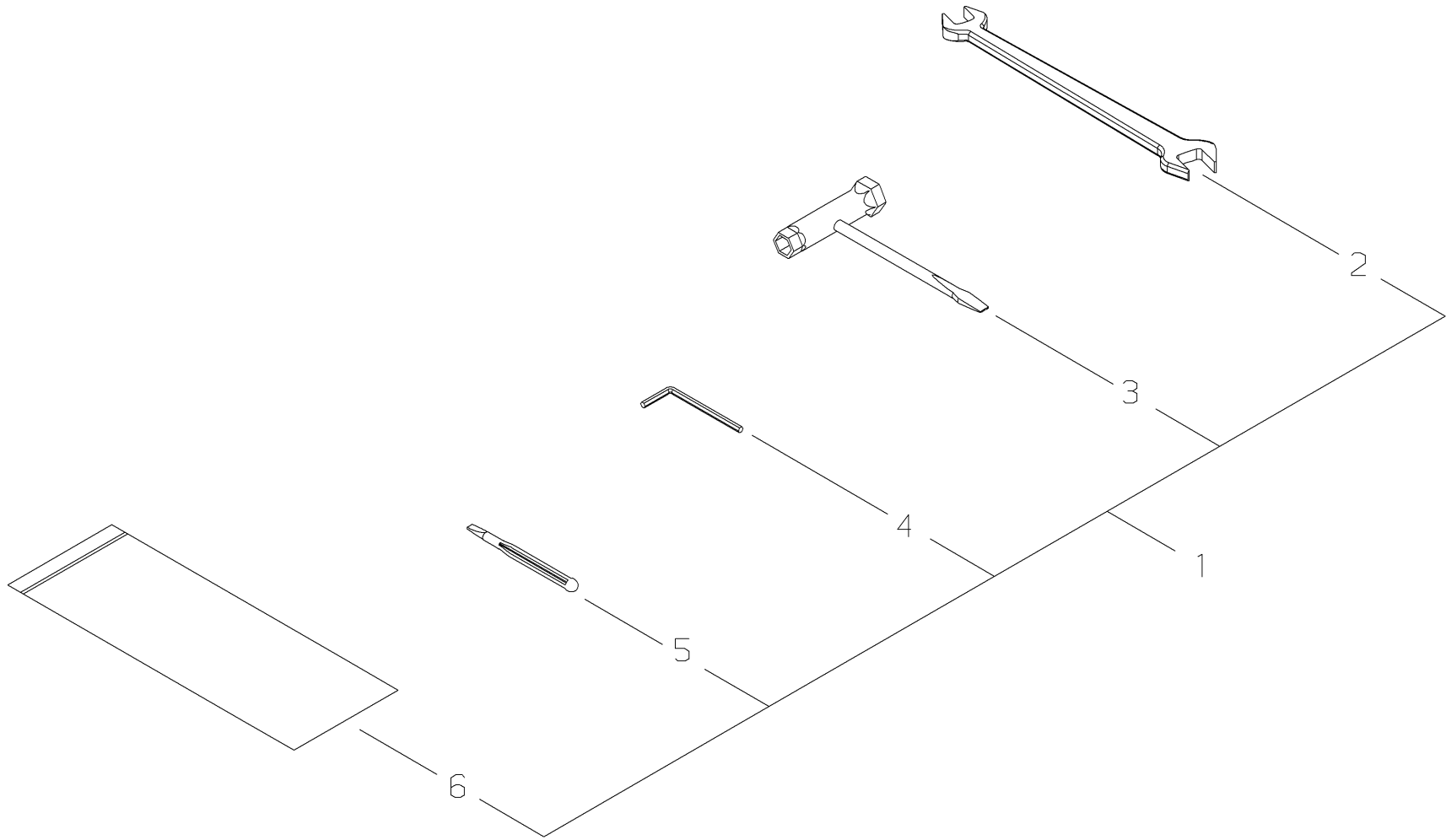
Ref. No	Part No.	Part Name	Qty	Remarks
8- 1	65005-62010	OUTERPIPECOMP	1	
2	22035-12121	*BUSH	3	
3	68142-64310	MAINSHAFT	1	
4	63901-62140	GRIP	1	
5	63076-62021	THROTTLELEVERASSY	1	
6	63002-62320	*BODYRIGHT	1	
7	63002-62330	*BODYLEFT	1	
8	63002-62340	*LEVER	1	
9	63901-62352	*LOCKLEVER	1	
10	63002-62350	*HOLDER	1	
11	63880-65350	*COILSPRING	1	
12	63901-62370	*COILSPRING	1	
13	63076-62311	*SWITCH	1	
14	63880-65360	*SCREWTAPPING	3	
15	11206-05201	*SCREWPMSPW	1	
16	01501-05030	*NUT	1	
17	63880-65411	*PLUG	1	
18	37015-98010	THROTTLECABLE	1	
19	63901-62440	TUBE	1	
20	19402-00314	LABELCAUTION	1	New Part
21	19404-00048	LABELDECIBEL	1	



Ref. No	Part No.	Part Name	Qty	Remarks
9-1	63840-61011	GEARCASECOMP	1	
2	63840-61111	*GEARCASE	1	
3	68120-61320	**MAINSHAFT	1	
4	63840-61320	**SHAFT	1	
5	63840-61330	*PINIONSHAFT	1	
6	37074-63310	*BEARING	1	
7	02002-06001	*BEARING	1	
8	02430-12100	*SNAPRING	1	
9	02432-28120	*SNAPRING	1	
10	68120-61120	CASECOVER	1	
11	63840-61340	COVER	1	
12	63840-61350	BEVELGEAR	1	
13	15401-11010	COLLAR	2	
14	01613-06100	WASHER	1	
15	20024-81790	CONEWASHER	1	
16	63840-61370	NUT	1	
17	02421-16150	PIN	1	
18	68120-61130	CAMGEAR	1	
19	15401-10025	COLLAR	2	
20	68120-61170	ROD	2	
21	68120-61331	PLATE	1	
22	68120-61340	PACKING	1	
23	68120-61351	GASKET	1	
24	20870-61640	GREASENIPPLE	2	
25	01020-04100	BOLT	7	
26	63840-63310	GEARCASEUPPER	1	
27	63840-63320	BEVELPINION	1	
28	02000-00609	BEARING	1	
29	02002-00609	BEARING	1	
30	22420-13350	SNAPRING	1	
31	02432-24120	SNAPRING	1	
32	02304-03150	ORING	1	
33	22000-13420	SHIM	1	
34	11023-05250	BOLTSW	1	
35	01020-05120	BOLT	2	
36	68145-62010	CUTTERASSY	1	New Part
37	18501-50000	*GUIDEBAR	1	
38	18500-50102	*BLADE	2	
39	20870-62110	*BOLT	4	
40	20870-62131	*WASHER	4	
41	22011-97840	*LOCKNUT	3	
42	68122-62320	*PROTECTOR	1	
43	17540-00001	*LEAFSPRING	1	
44	68120-62331	HOLDER	1	
45	11526-05212	FLANGENUT	2	
46	22011-97840	LOCKNUT	1	
47	63840-66310	ADJUSTPLATE	1	
48	68142-66310	STOPPERPLATE	1	
49	68142-66321	SCREW	1	
50	63840-66320	LOCKLEVER	1	
51	63840-66330	SAFTYLEVER	1	
52	22106-71441	PINRATCHET	2	
53	17520-18601	COILSPRING	1	
54	63840-66350	HANDLE	1	
55	01215-06208	SCREWTRUSS	2	
56	19601-01506	BLADECOVER	1	



Ref. No	Part No.	Part Name	Qty	Remarks
10- 1	62901-64013	HANDLEASSY	1	
2	62901-64113	*HANDLE	1	
3	62901-64120	*CLAMP	1	
4	11022-05250	*BOLTSPW	4	



Ref. No	Part No.	Part Name	Qty	Remarks
11- 1	68144-92310	TOOLSET	1	New Part
2	22000-91120	*SPANNER	1	
3	72320-91410	*PLUGWRENCH	1	
4	09026-04001	*HEXAWRENCH5MM	1	
5	62023-92010	*SCRAPER	1	
6	19639-01100	*TOOLBAG	1	

shindaiwa