

# Shindaiwa Illustrated Parts List

## DH220 EC1 Hedge Trimmer

---

CYLINDER / CRANKCASE / CRANKSHAFT / CLUTCH / FAN COVER / MUFFLER / RECOIL SPRING / PISTON / ROTOR / COIL / CLEANER / FUEL TANK .....	2 - 3
CARBURETOR.....	4
GEAR CASE / CUTTER.....	5
HANDLES / THROTTLE LEVER / COIL.....	6
TOOL SET.....	7

[www.shindaiwa.com](http://www.shindaiwa.com)

11975 SW Herman Road

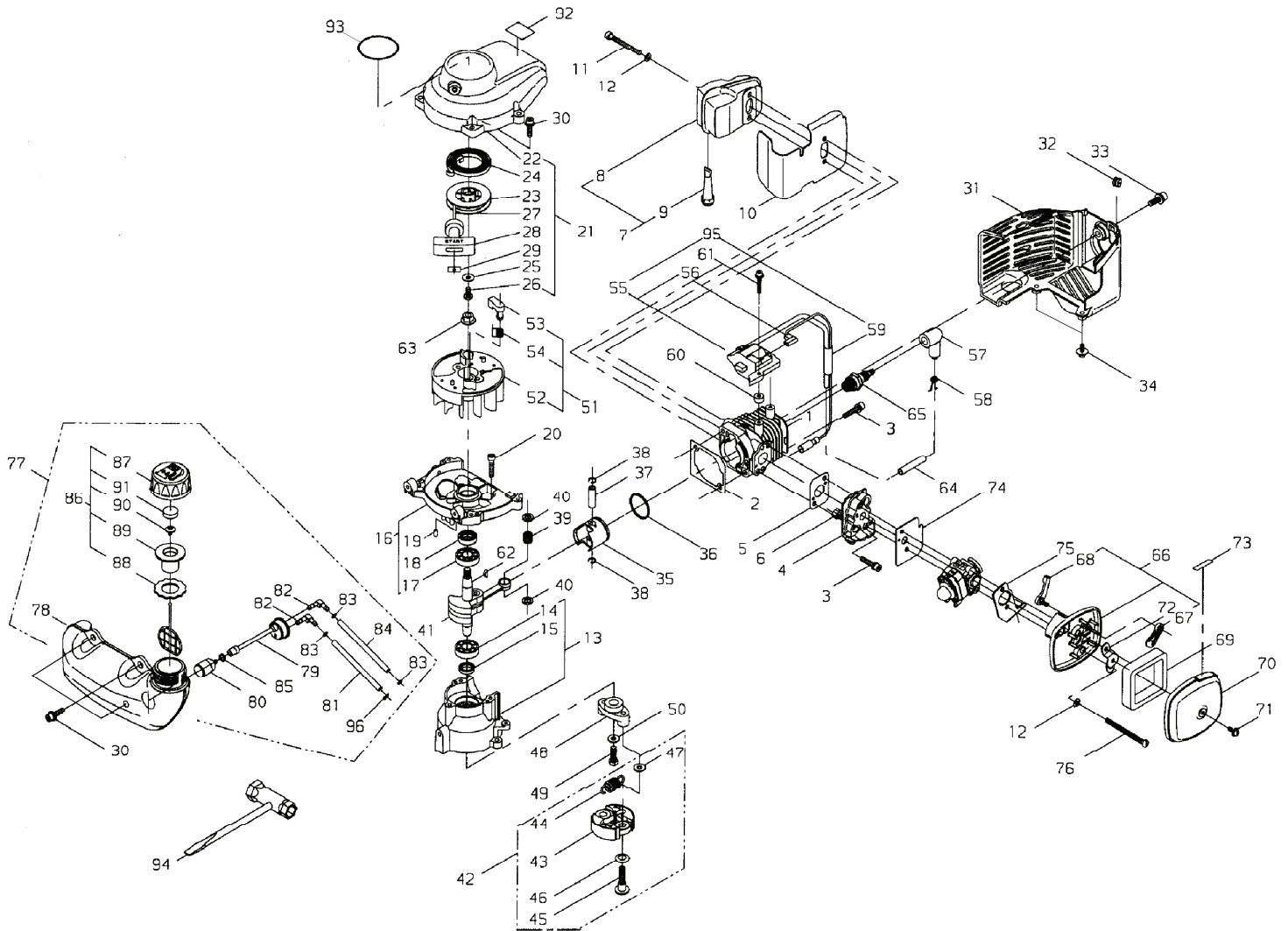
Tualatin, Oregon 97062, U.S.A.

1 + 503.692.3070 • fax 1 + 503.692.6696 •

**shindaiwa**

**CYLINDER / CRANKCASE / CRANKSHAFT /  
CLUTCH / FAN COVER / MUFFLER /  
RECOIL SPRING / PISTON / ROTOR /  
COIL / CLEANER / FUEL TANK**

ILLUSTRATION 1 - REV 5/05



Ref. No	Part No.	Part Name	Q'ty
1-1	20142-12110	CYLINDER	1
2	20870-12121	GASKET	1
3	11022-05250	BOLT SPW	4
4	20140-12210	INSULATOR	1
5	20140-12221	GASKET	1
6	20011-12260	NUT	2

Ref. No	Part No.	Part Name	Q'ty
7	67000-15010	MUFFLER ASSEMBLY	1
8	67000-15110	*MUFFLER	1
9	67000-15340	*SPARK ARRESTER	1
10	68120-15210	GASKET	1
11	01020-05400	BOLT	2
12	01610-05080	WASHER	4

**CYLINDER / CRANKCASE / CRANKSHAFT /  
CLUTCH / FAN COVER / MUFFLER /  
RECOIL SPRING / PISTON / ROTOR /  
COIL / CLEANER / FUEL TANK**

ILLUSTRATION 1 - REV 5/05

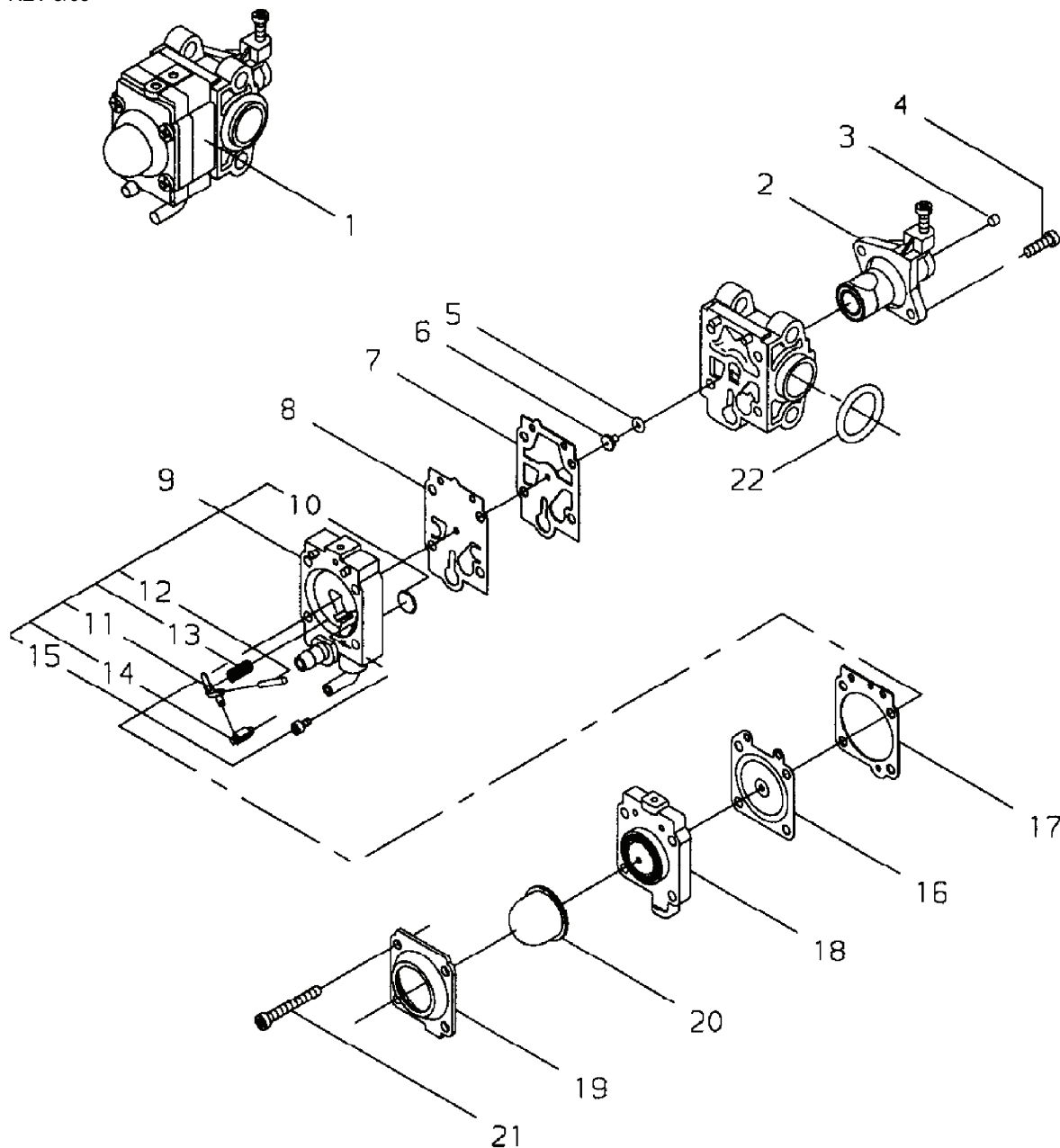
13	20870-21100	CRANKCASE PTO COMP	1
14	12900-60010	*BEARING	1
15	22150-21250	*OIL SEAL	1
16	20870-21301	CRANKCASE M COMP	1
17	12900-60010	*BEARING	1
18	20000-21211	*OIL SEAL	1
19	12492-40080	*ROLLER	2
20	01020-05250	BOLT	3
21	68120-31010	FAN COVER ASSEMBLY	1
22	68120-31110	*FAN COVER	1
23	70030-75120	*REEL	1
24	70030-75130	*RECOIL SPRING	1
25	70030-75140	*WASHER	1
26	20035-75170	*SCREW	1
27	70030-75160	*ROPE	1
28	20010-75190	*STARTER KNOB	1
29	20010-75210	*STOPPER	1
30	11060-05202	BOLT ADHESIVE	7
31	68120-32110	CYLINDER COVER	1
32	20011-72120	GROMMET	1
33	11022-06160	BOLT SPW	1
34	11060-04163	BOLT ADHESIVE	2
35	20142-41110	PISTON	1
36	20142-41210	PISTON RING	1
37	20142-41310	PISTON PIN	1
38	70030-41320	SNAP RING	2
39	20016-41330	NEEDLE BEARING	1
40	20016-41340	THRUST WASHER	2
41	68120-42010	CRANKSHAFT	1
42	67000-51011	CLUTCH SHOE SET	1
43	20035-51111	*CLUTCH SHOE	2
44	20035-51221	*CLUTCH SPRING	1
45	20142-51210	*BOLT	2
46	20087-51231	*SPRING PLATE	2
47	22100-71430	*WASHER	2
48	20870-51211	CLUTCH BOSS	1
49	20870-51220	BOLT	1
50	22100-71430	WASHER	1
51	20870-71100	ROTOR SUB ASSEMBLY	1
52	20870-71110	*ROTOR	1
53	20870-71120	*RATCHET	1
54	20870-71130	*COIL SPRING	1

Ref. No	Part No.	Part Name	Q'ty
95	68120-98310	COIL SET	1
55	68120-71021	*COIL ASSEMBLY	1
56	20870-71222	**CORD	1
59	20016-71651	*TUBE	1
57	22102-72220	PLUG CAP	1
58	20000-72230	SPRING SPARKPLUG	1
60	68120-71320	INSULATOR	2
61	11024-04261	BOLT SLPW	2
62	02403-03100	KEY	1
63	20035-71220	NUT	1
64	70064-72111	TUBE	1
65	13000-13406	SPARKPLUG BMR6A	1
66	20140-81700	CLEANER BODY SUB ASSEMBLY	1
67	20140-81720	*CHOKE PLATE	1
68	20140-81730	*CHOKE LEVER	1
69	20140-82210	FILTER	1
70	20140-81790	CLEANER COVER	1
71	37019-82340	SCREW PM SLPW	1
72	20018-81721	BACK PLATE	1
73	19404-00008	LABEL CHOKE	1
74	68120-82310	GASKET	1
75	68120-81310	CABLE HOLDER	1
76	11203-05658	SCREW PM	2
77	68122-85011	FUEL TANK ASSEMBLY	1
78	68120-85110	*FUEL TANK	1
79	20870-85121	*FUEL PIPE	1
80	20016-85400	*FUEL FILTER	1
81	20870-85132	*PIPE	1
82	20087-85340	*JOINT	2
83	20020-85540	*CLIP	3
84	68120-85330	*PIPE	1
85	20000-85350	*CLAMP B	1
86	62800-85021	*FUEL CAP ASSEMBLY	1
87	20870-85310	**FUEL CAP	1
88	20870-85160	**PACKING	1
89	62800-85310	**HOLDER COMP	1
90	20870-85320	**VALVE FUEL	1
91	20870-85210	**PACKING	1
96	37013-85310	*CLIP	1
92	19404-00033	LABEL DECIBEL	1
93	38121-91020	LABEL TRADE	1
94	22000-91181	PLUG WRENCH	1

\* Denotes item is part of an assembly \*\* Denotes item is part of a sub-assembly

## CARBURETOR

ILLUSTRATION 2 - REV 5/05

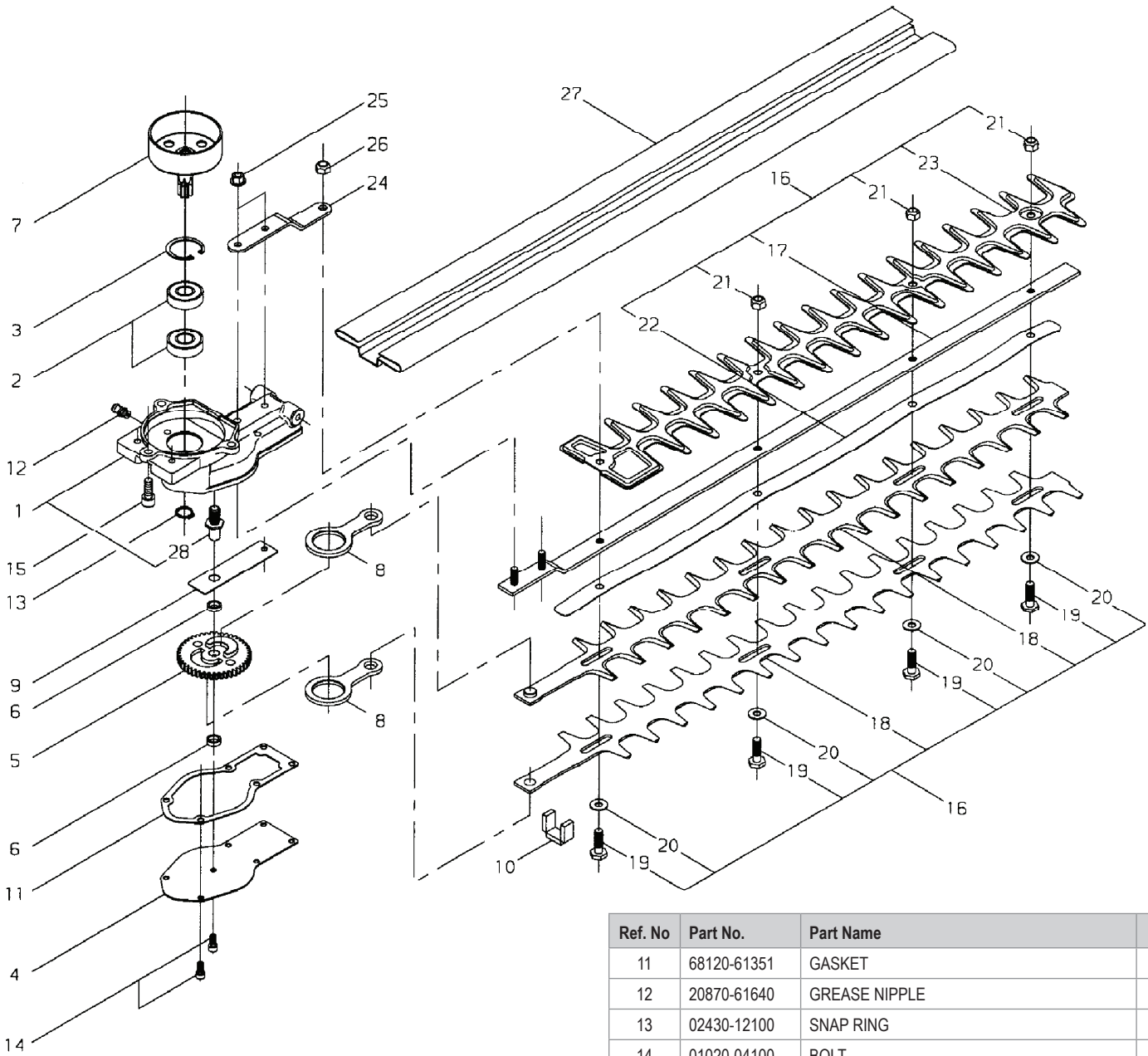


Ref. No	Part No.	Part Name	Q'ty
2-1	68120-81010	CARBURETOR ASSEMBLY	1
2	20016-81180	*VALVE ASSEMBLY	1
3	62074-81320	*PLUG	1
4	70064-81290	*SCREW	2
5	70097-81220	*O-RING	1
6	70064-81230	*MAIN JET	1
7	70097-81310	*GASKET PUMP	1
8	70097-81320	*DIAPHRAGM	1
9	20016-81410	*PUMP BODY COMP	1
10	70030-81380	**SCREEN	1
11	22100-81230	**LEVER	1

Ref. No	Part No.	Part Name	Q'ty
12	22100-81250	**PIN	1
13	20016-81270	**SPRING	1
14	20036-81440	**NEEDLE VALVE	1
15	20016-81450	**SCREW	1
16	22100-81260	*DIAPHRAGM ASSEMBLY	1
17	20016-81280	*GASKET	1
18	20016-81420	*PUMP BASE COMP	1
19	20016-81510	*PUMP COVER	1
20	20036-81670	*PRIMER PUMP	1
21	20016-81140	*SCREW	4
22	20016-81250	*O-RING	1

GEAR CASE / CUTTER

ILLUSTRATION 3 - REV 5/05



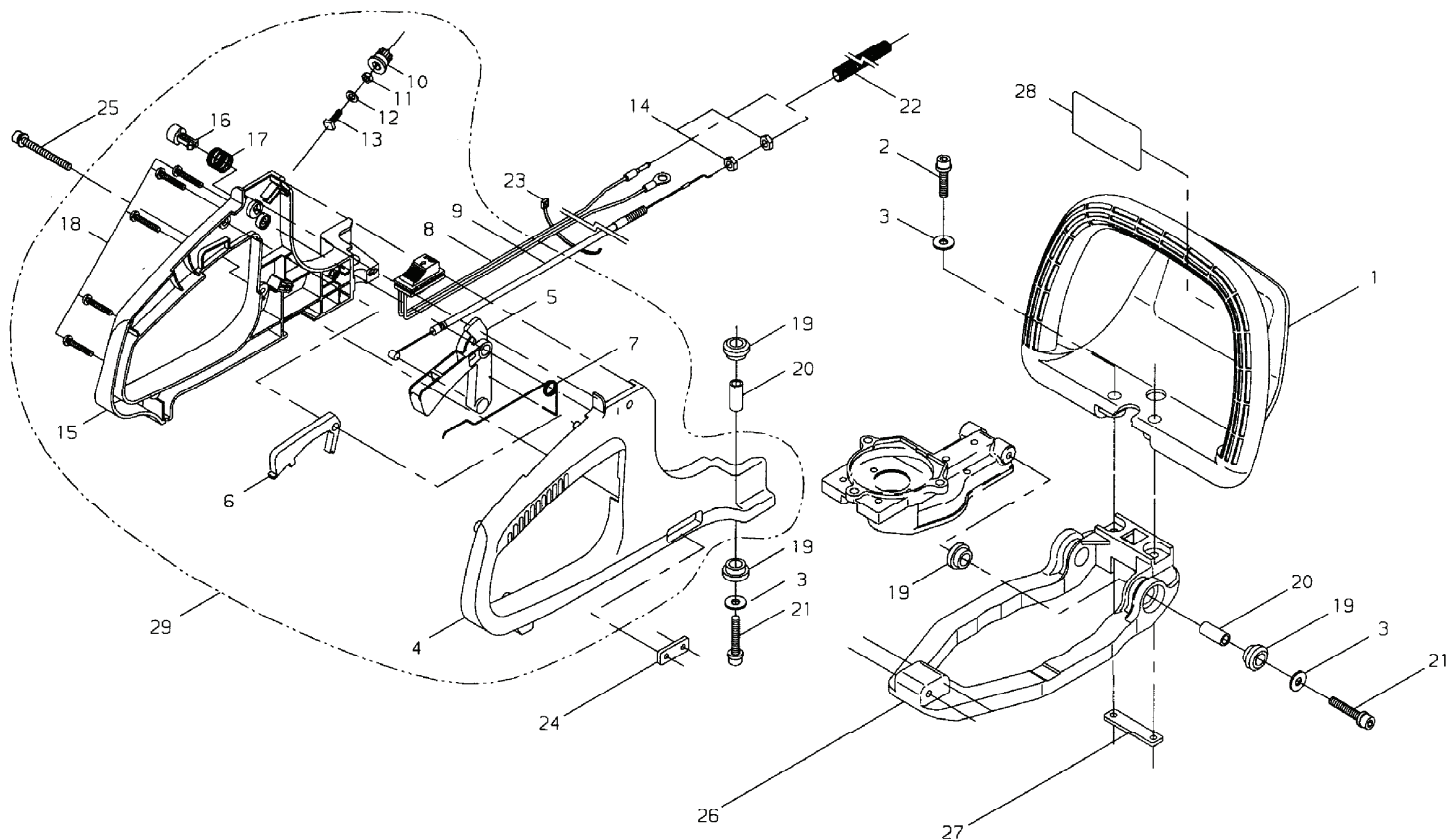
Ref. No	Part No.	Part Name	Q'ty
3- 1	68120-61110	GEAR CASE	1
28	68120-61320	*MAIN SHAFT	1
2	02006-06001	BEARING	2
3	02432-28120	SNAP RING	1
4	68120-61120	CASE COVER	1
5	68120-61130	CAM GEAR	1
6	15401-10025	COLLAR	2
7	68120-61160	CLUTCH DRUM	1
8	68120-61170	ROD	2
9	68120-61331	PLATE	1
10	68120-61340	PACKING	1

Ref. No	Part No.	Part Name	Q'ty
11	68120-61351	GASKET	1
12	20870-61640	GREASE NIPPLE	1
13	02430-12100	SNAP RING	1
14	01020-04100	BOLT	7
15	11060-06160	BOLT ADHESIVE	3
16	68122-62011	CUTTER ASSEMBLY	1
17	18501-50000	*GUIDE BAR	1
18	18500-50100	*BLADE	2
19	20870-62110	*BOLT	4
20	20870-62131	*WASHER	4
21	22011-97840	*LOCKNUT	3
22	17540-00001	*LEAF SPRING	1
23	68122-62320	*PROTECTOR	1
24	68120-62331	HOLDER	1
25	11526-05212	FLANGE NUT	2
26	22011-97840	LOCKNUT	1
27	19601-01506	BLADE COVER	1

\* Denotes item is part of an assembly \*\* Denotes item is part of a sub-assembly

## HANDLES / THROTTLE LEVER / COIL

ILLUSTRATION 4 - REV 5/05

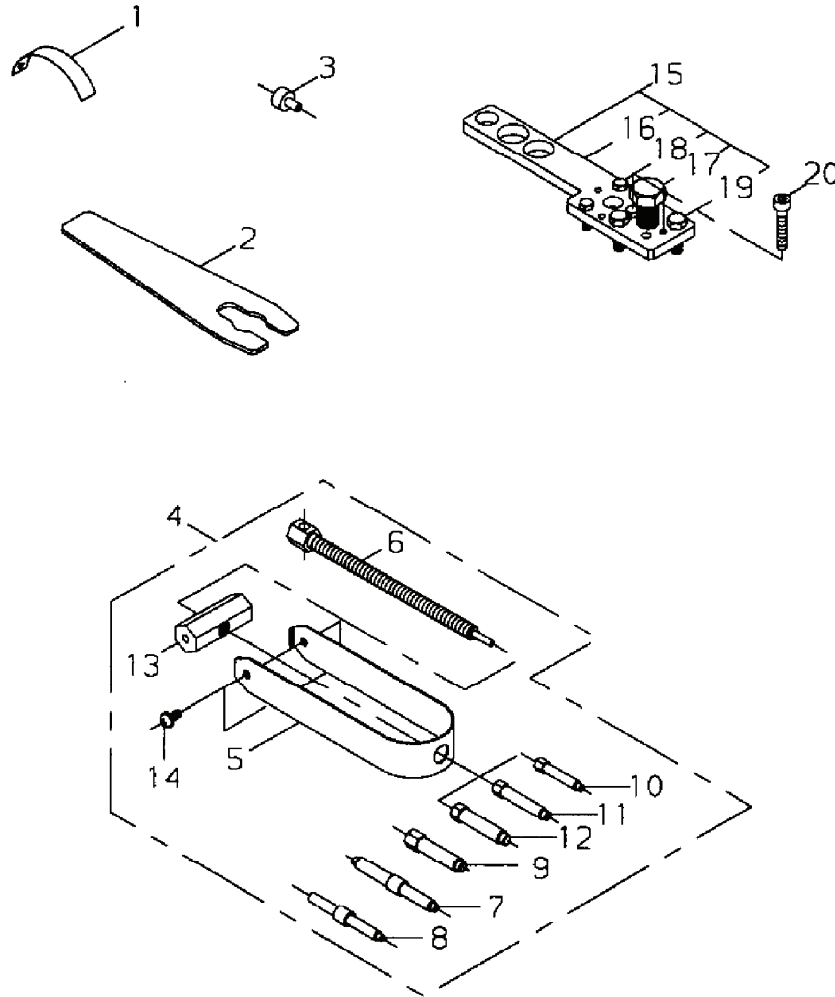


Ref. No	Part No.	Part Name	Q'ty
4-1	68120-64110	FRONT HANDLE	1
2	11020-06250	BOLT SW	2
3	23510-64210	WASHER	6
14	01501-06041	NUT	2
19	68120-65330	CUSHION	8
20	15401-10200	COLLAR	4
21	11020-06350	BOLT SW	4
22	20019-83140	TUBE	1
23	15210-12305	BAND	1
24	68120-65350	PLATE	1
25	11060-05452	BOLT ADHESIVE	2
26	68120-66310	STAY	1
27	68120-66320	PLATE	1
28	19402-00148	LABEL CAUTION	1
29	68122-65013	REAR HANDLE ASSEMBLY	1

Ref. No	Part No.	Part Name	Q'ty
4	62803-65114	*RIGHT HANDLE	1
5	62803-65312	*THROTTLE LEVER	1
6	62803-65322	*LOCK LEVER	1
7	62803-65350	*COIL SPRING	1
8	62803-65332	*SWITCH	1
9	68120-65320	*THROTTLE CABLE	1
10	20870-65110	*KNOB	1
11	20870-65120	*NUT	1
12	62805-65370	*WASHER	1
13	20870-65150	*BOLT	1
15	62803-65124	*LEFT HANDLE	1
16	70871-65170	*BUTTON	1
17	70871-65180	*COIL SPRING	1
18	62803-65360	*SCREW TAPPING	5

**TOOL SET**

ILLUSTRATION 5 - REV 5/05



Ref. No	Part No.	Part Name	Q'ty
5- 1	20000-96210	AIR GAP GAUGE	1
2	20000-96411	ROTOR SPANNER	1
3	20021-96420	STOPPER	2
4	20021-96601	PULLER ASSEMBLY	1
5	20021-96611	*PULLER	1
6	20021-96621	*BOLT	1
7	20000-96631	*GUIDE PIN	1
8	20035-96630	*GUIDE PIN	1
9	20021-96630	*GUIDE PIN	1
10	20021-96650	*PIN ADAPTER	1

Ref. No	Part No.	Part Name	Q'ty
11	20021-96660	*PIN ADAPTER	1
12	20021-96670	*PIN ADAPTER	1
13	20000-96640	*BOSS	1
14	01211-06120	*SCREW SW	2
15	20000-96104	PULLER ASSEMBLY	1
16	20000-96114	*LEVER	1
17	22100-96121	*CENTER BOLT	1
18	20000-96130	*BOLT	3
19	20000-96140	*BOLT	2
20	01020-06350	BOLT	2

\* Denotes item is part of an assembly \*\* Denotes item is part of a sub-assembly



**shindaiwa**

[www.shindaiwa.com](http://www.shindaiwa.com)

11975 SW Herman Road, Tualatin, Oregon 97062, U.S.A.

1 + 503.692.3070 • fax 1 + 503.692.6696 •

Item #xxxx Effective 05/05