

Shindaiwa Illustrated Parts List

HT230 EC1 Hedge Trimmer

CYLINDER / FAN COVER / ROTOR / CRANKCASE / CLUTCH / MUFFLER / COIL / CLEANER	2 - 3
FUEL TANK	4
HANDLES	5
CARBURETOR	6
CUTTER / PISTON / PULLER	7
GEAR CASE / CUTTER	8 - 9
TOOL SET	10

www.shindaiwa.com

11975 SW Herman Road

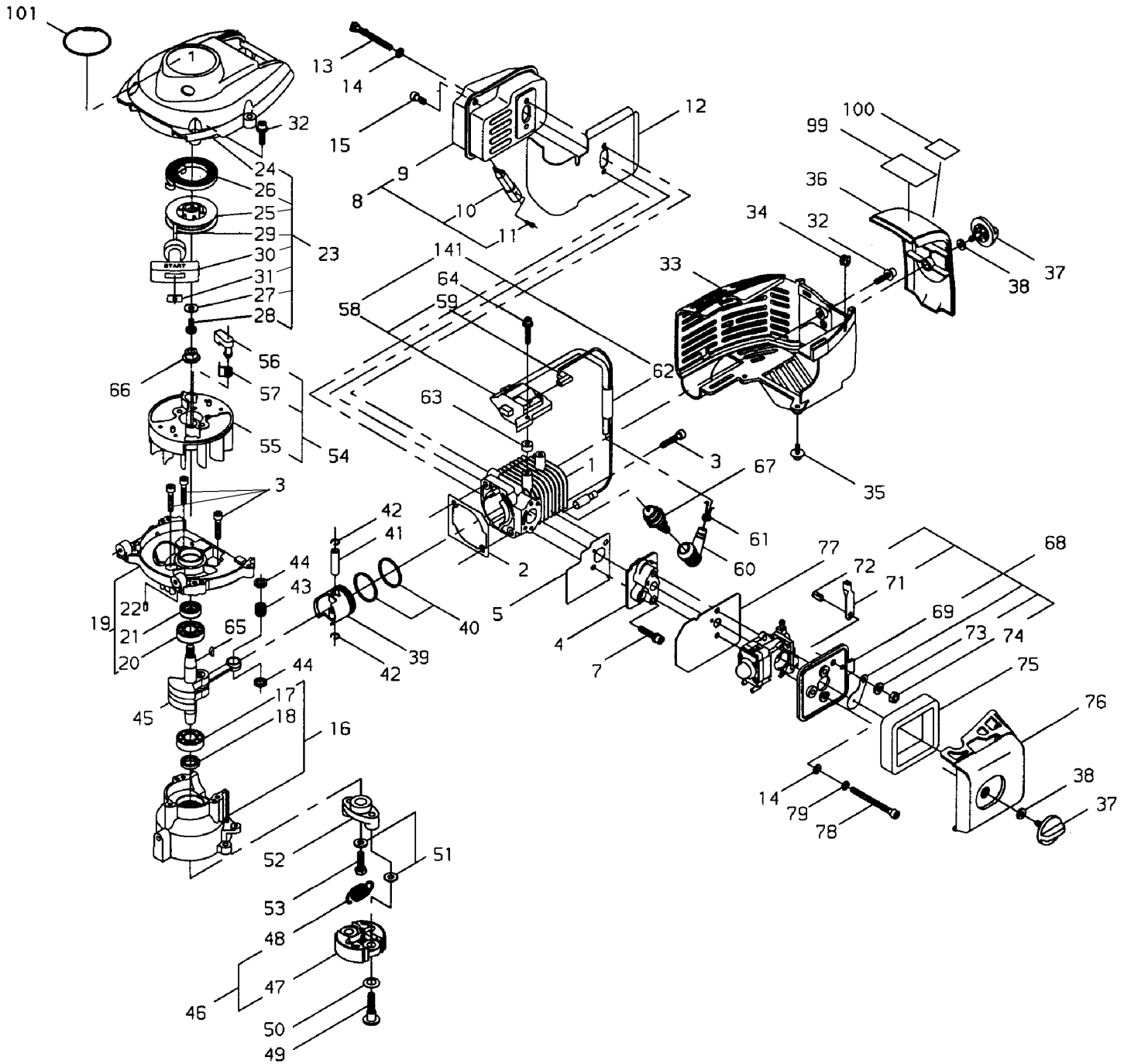
Tualatin, Oregon 97062, U.S.A.

1 + 503.692.3070 • fax 1 + 503.692.6696 •

shindaiwa

CYLINDER / FAN COVER / ROTOR / CRANKCASE / CLUTCH / MUFFLER / COIL / CLEANER

ILLUSTRATION 1 - REV 3/05



CYLINDER / FAN COVER / ROTOR / CRANKCASE / CLUTCH / MUFFLER / COIL / CLEANER

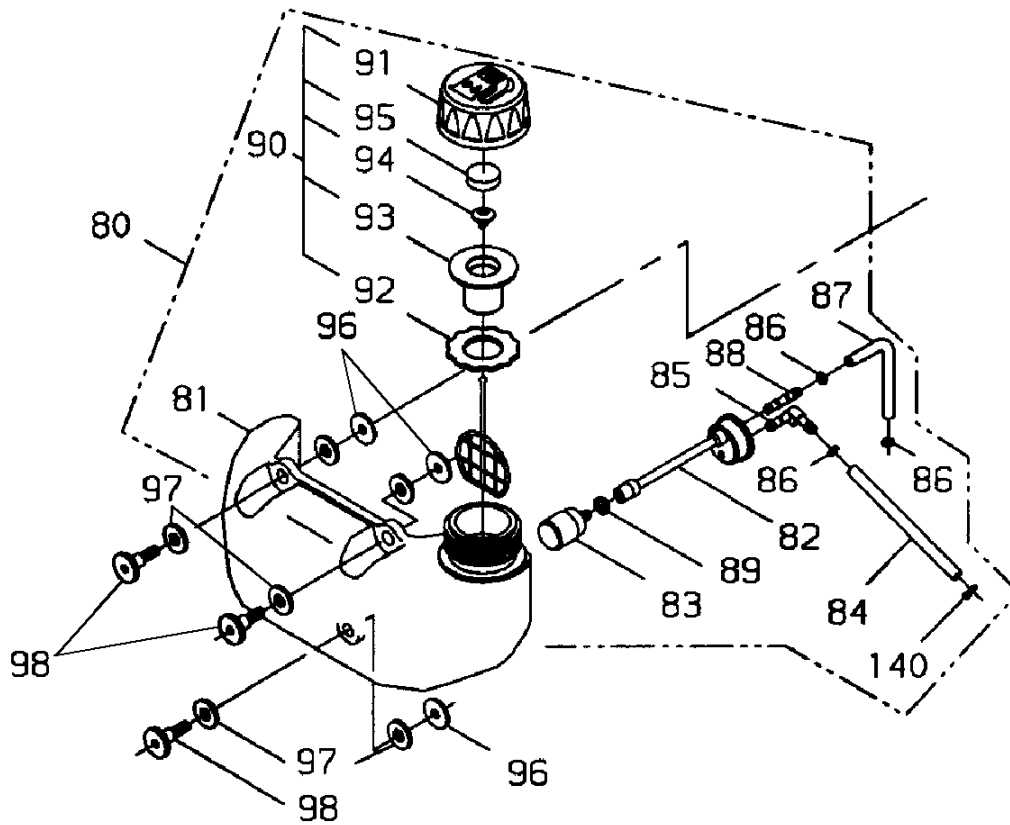
ILLUSTRATION 1 - REV 3/05

Ref. No	Part No.	Part Name	Q'ty
1- 1	62809-12111	CYLINDER	1
2	20870-12121	GASKET	1
3	01020-05250	BOLT	5
4	20016-12213	INSULATOR	1
5	20870-12220	GASKET	1
7	11022-05300	BOLT SW	2
8	70871-15100	MUFFLER SUB ASSEMBLY	1
9	70871-15110	*MUFFLER	1
10	70871-15120	*SPARK ARRESTER	1
11	01270-03062	*SCREW TAPPING	1
12	20870-15122	GASKET	1
13	01020-05500	BOLT	2
14	01610-05080	WASHER	4
15	01020-05120	BOLT	1
16	20870-21100	CRANKCASE PTO COMP	1
17	12900-60010	*BEARING	1
18	22150-21250	*OIL SEAL	1
19	20870-21301	CRANKCASE M COMP	1
20	12900-60010	*BEARING	1
21	20000-21211	*OIL SEAL	1
22	12492-40080	*ROLLER	2
23	20870-31102	FAN COVER SUB ASSEMBLY	1
24	20870-31112	*FAN COVER	1
25	70030-75120	*REEL	1
26	70030-75130	*RECOIL SPRING	1
27	70030-75140	*WASHER	1
28	20035-75170	*SCREW	1
29	70030-75160	*ROPE	1
30	20010-75190	*STARTER KNOB	1
31	20010-75210	*STOPPER	1
32	11060-05202	BOLT ADHESIVE	5
33	20870-32111	CYLINDER COVER	1
34	20011-72120	GROMMET	1
35	11060-04163	BOLT ADHESIVE	2
36	20870-33111	COVER	1
37	20870-33120	KNOB	2
38	23627-21220	COLLAR	2
39	20075-41110	PISTON	1
40	20000-41210	PISTON RING	2
41	20075-41310	PISTON PIN	1
42	70030-41320	SNAP RING	2

Ref. No	Part No.	Part Name	Q'ty
43	37013-41230	NEEDLE BEARING	1
44	37013-41240	THRUST WASHER	2
45	20870-42101	CRANKSHAFT COMP	1
46	70140-51012	CLUTCH SHOE SUB ASSEMBLY	1
47	70140-51113	*CLUTCH SHOE	2
48	37013-51310	*COIL SPRING	1
49	20087-51210	BOLT	2
50	20087-51231	SPRING PLATE	2
51	22100-71430	WASHER	3
52	20870-51211	CLUTCH BOSS	1
53	20870-51220	BOLT	1
54	20870-71100	ROTOR SUB ASSEMBLY	1
55	20870-71110	*ROTOR	1
56	20870-71120	*RATCHET	1
57	20870-71130	*COIL SPRING	1
141	20870-98310	COIL SET	1
58	20870-71202	*COIL SUB ASSEMBLY	1
59	20870-71222	**CORD	1
62	20016-71651	*TUBE	1
60	22160-72220	PLUG CAP	1
61	20000-72230	SPRING SPARKPLUG	1
63	70030-71620	INSULATOR	2
64	11024-04261	BOLT SLPW	2
65	02403-03100	KEY	1
66	20035-71220	NUT	1
67	13000-13406	SPARKPLUG BMR6A	1
68	20870-82100	CLEANER BODY SUB ASSEMBLY	1
69	20870-82111	*CLEANER BODY	1
71	20870-82120	*CHOKE LEVER	1
72	20110-82140	*CHOKE SHAFT	1
73	01600-06151	*SPRING WASHER	1
74	11524-06211	*U NUT	1
75	20870-82210	FILTER	1
76	20870-82312	CLEANER COVER	1
77	20870-82411	GASKET	1
78	01020-05550	BOLT	2
79	01600-05131	SPRING WASHER	2
99	19402-00148	LABEL CAUTION	1
100	19404-00048	LABEL DECIBEL	1
101	20870-91120	LABEL TRADE	1

FUEL TANK

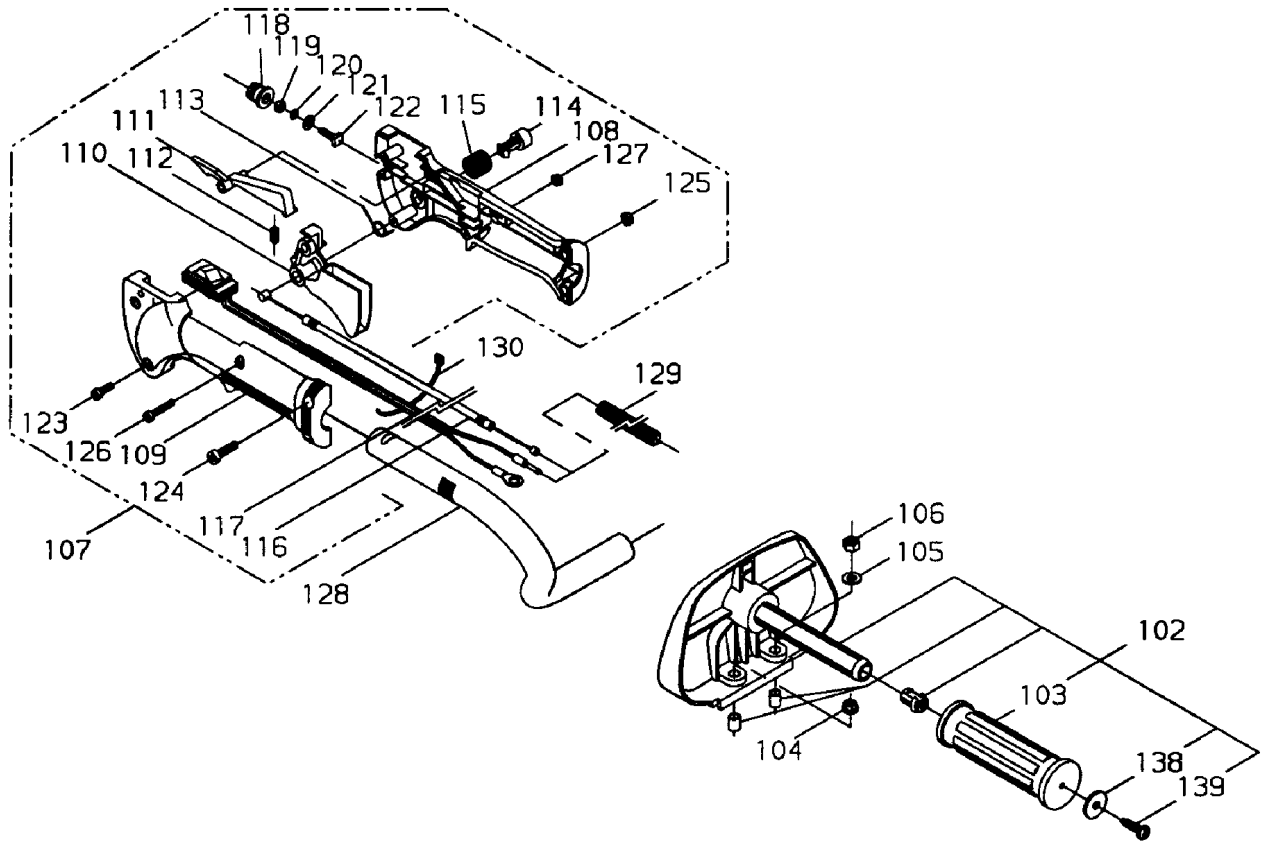
ILLUSTRATION 6 - REV 3/05



Ref. No	Part No.	Part Name	Q'ty
6-80	62800-85013	FUEL TANK ASSEMBLY	1
81	20870-85251	*FUEL TANK	1
82	20870-85121	*FUEL PIPE	1
83	20016-85400	*FUEL FILTER	1
84	20870-85132	*PIPE	1
85	20087-85340	*JOINT	1
86	20020-85540	*CLIP	3
87	20870-85140	*PIPE	1
88	72933-85620	*JOINT	1
89	20000-85350	*CLAMP B	1
90	62800-85021	*FUEL CAP ASSEMBLY	1
91	20870-85310	**FUEL CAP	1
92	20870-85160	**PACKING	1
93	62800-85310	**HOLDER COMP	1
94	20870-85320	**VALVE FUEL	1
95	20870-85210	**PACKING	1
140	37013-85310	*CLIP	1
96	15401-10022	COLLAR	3
97	20870-85230	COLLAR	6
98	20870-85240	BOLT	3

HANDLES

ILLUSTRATION 5 - REV 3/05



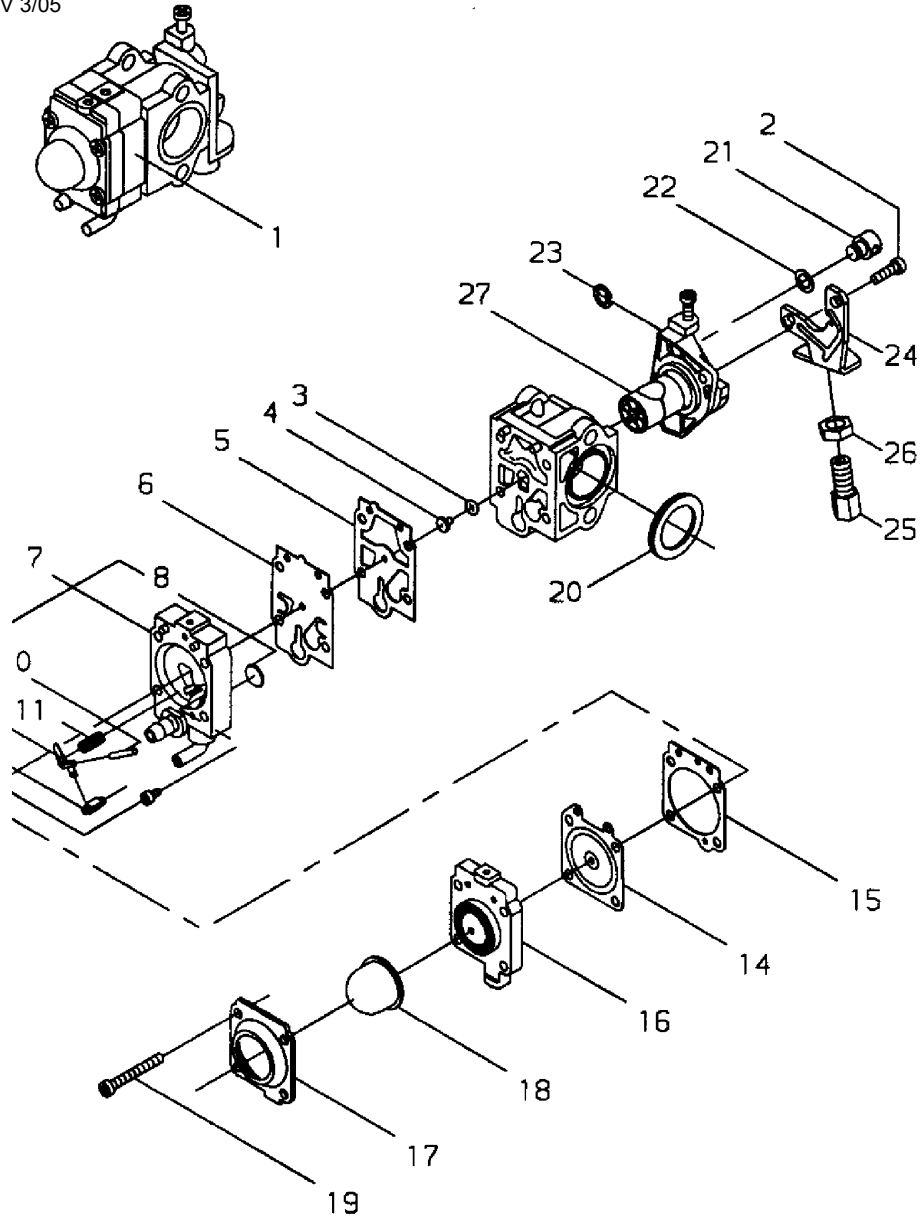
Ref. No	Part No.	Part Name	Q'ty
5-102	20870-64104	FRONT HANDLE COMP	1
103	20870-64122	*GRIP	1
138	15401-20011	*COLLAR	1
139	22160-32220	*SCREW PC	1
104	11526-05212	FLANGE NUT	1
105	01613-06100	WASHER	1
106	11525-06210	U NUT	1
107	20870-65102	REAR HANDLE SUB ASSEMBLY	1
108	70871-65111	*BODY RIGHT	1
109	70871-65121	*BODY LEFT	1
110	70871-65130	*LEVER	1
111	70871-65140	*LOCK LEVER	1
112	70871-65150	*COIL SPRING	1
113	70871-65160	*COIL SPRING	1
114	70871-65170	*BUTTON	1
115	70871-65180	*COIL SPRING	1

Ref. No	Part No.	Part Name	Q'ty
116	70871-65191	*THROTTLE CABLE	1
117	70871-65202	*SWITCH COMP	1
118	20870-65110	*KNOB	1
119	20870-65120	*NUT	1
120	20870-65320	*SPRING WASHER	1
121	20870-65141	*WASHER	1
122	20870-65150	*BOLT	1
123	70871-65311	*SCREW TAPPING	3
124	70871-65320	*SCREW PM	2
125	01501-05030	*NUT	2
126	70871-65331	*SCREW	1
127	70871-65340	*NUT	1
128	20870-65311	PIPE	1
129	20019-83140	TUBE	1
130	15210-12305	BAND	1

* Denotes item is part of an assembly ** Denotes item is part of a sub-assembly

CARBURETOR

ILLUSTRATION 2 - REV 3/05

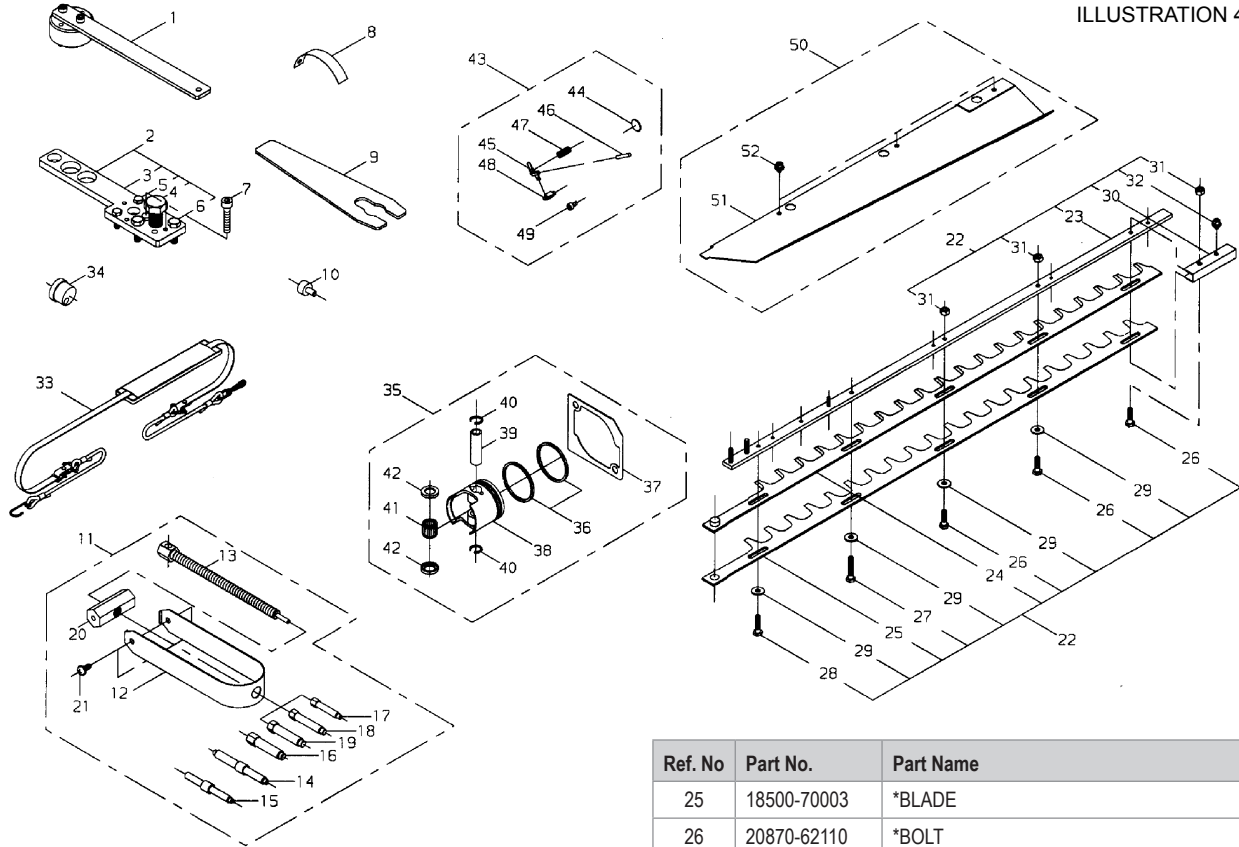


Ref. No	Part No.	Part Name	Q'ty
2-1	70871-81100	CARBURETOR SUB ASSEMBLY	1
2	70097-81290	*SCREW	2
3	70097-81220	*O-RING	1
4	72934-81230	*MAIN JET	1
5	70097-81310	*GASKET PUMP	1
6	70097-81320	*DIAPHRAGM	1
7	72933-81410	*PUMP BODY ASSEMBLY	1
8	70030-81380	**SCREEN	1
9	22100-81230	**LEVER	1
10	22100-81250	**PIN	1
11	72933-81270	**SPRING	1
12	20036-81440	**NEEDLE VALVE	1
13	20016-81450	**SCREW	1

Ref. No	Part No.	Part Name	Q'ty
14	22100-81260	*DIAPHRAGM ASSEMBLY	1
15	20016-81280	*GASKET	1
16	20016-81420	*PUMP BASE COMP	1
17	20016-81510	*PUMP COVER	1
18	20036-81670	*PRIMER PUMP	1
19	20016-81140	*SCREW	4
20	72933-81250	*RING GASKET	1
21	72933-81450	*SWIVEL	1
22	20089-81185	*WASHER	1
23	20036-81195	*ERING	1
24	20089-81130	*BRACKET	1
25	20089-81110	*CABLE ADJUSTER	1
26	20036-81120	*NUT	1
27	20870-81220	*VALVE ASSEMBLY	1

CUTTER / PISTON / PULLER

ILLUSTRATION 4 - REV 3/05



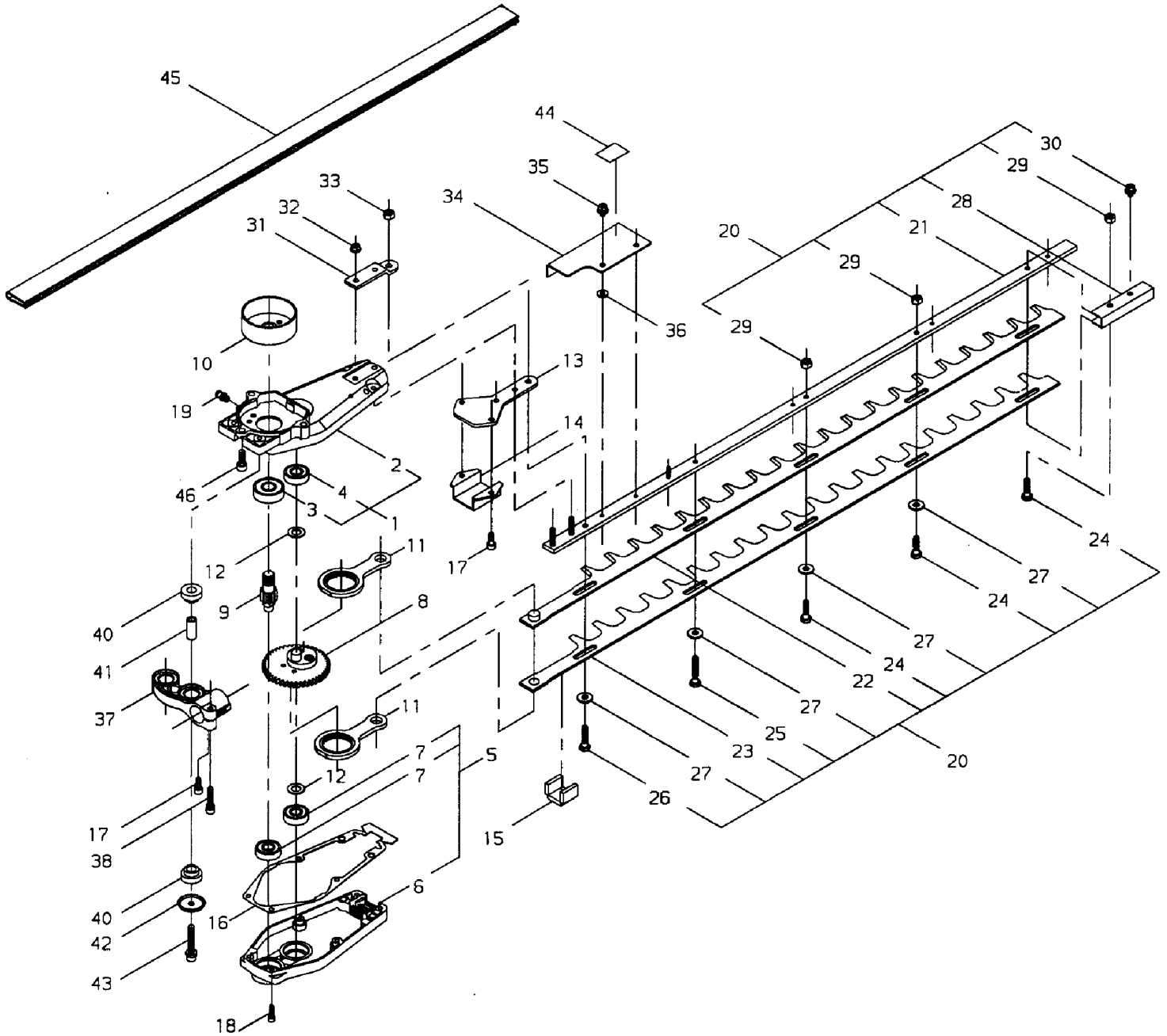
Ref. No	Part No.	Part Name	Q'ty
4- 1	20870-98010	SPANNER	1
2	20000-96104	PULLER ASSEMBLY	1
3	20000-96114	*LEVER	1
4	22100-96121	*CENTER BOLT	1
5	20000-96130	*BOLT	3
6	20000-96140	*BOLT	2
7	01020-06350	BOLT	2
8	20000-96210	AIR GAP GAUGE	1
9	20000-96411	ROTOR SPANNER	1
10	20021-96420	STOPPER	2
11	20021-96601	PULLER ASSEMBLY	1
12	20021-96611	*PULLER	1
13	20021-96621	*BOLT	1
14	20000-96631	*GUIDE PIN	1
15	20035-96630	*GUIDE PIN	1
16	20021-96630	*GUIDE PIN	1
17	20021-96650	*PIN ADAPTER	1
18	20021-96660	*PIN ADAPTER	1
19	20021-96670	*PIN ADAPTER	1
20	20000-96640	*BOSS	1
21	01211-06120	*SCREW SW	2
22	20870-98040	CUTTER ASSEMBLY	1
23	20870-62201	*GUIDE BAR COMP	1
24	18500-70002	*BLADE	1

Ref. No	Part No.	Part Name	Q'ty
25	18500-70003	*BLADE	1
26	20870-62110	*BOLT	3
27	20870-62120	*BOLT	1
28	20870-62150	*BOLT	1
29	20870-62131	*WASHER	4
30	20870-62141	*PLATE	1
31	11525-06210	*U NUT	3
32	20870-63120	*BOLT SLPW	1
33	22910-97100	STRAP ASSEMBLY	1
34	20870-98050	HOLDER	1
35	70870-98020	PISTON SET	1
36	20000-41210	*PISTON RING	2
37	20870-12121	*GASKET	1
38	20075-41110	*PISTON	1
39	20075-41310	*PISTON PIN	1
40	70030-41320	*SNAP RING	2
41	37013-41230	*NEEDLE BEARING	1
42	37013-41240	*THRUST WASHER	2
43	70870-98030	VALVE SET	1
44	70030-81380	*SCREEN	1
45	22100-81230	*LEVER	1
46	22100-81250	*PIN	1
47	72933-81270	*SPRING	1
48	20036-81440	*NEEDLE VALVE	1
49	20016-81450	*SCREW	1
50	70870-98011	PLATE SET	1
51	20870-63111	*PLATE	1
52	20870-63120	*BOLT SLPW	3

* Denotes item is part of an assembly ** Denotes item is part of a sub-assembly

GEAR CASE / CUTTER

ILLUSTRATION 3 - REV 3/05



GEAR CASE / CUTTER

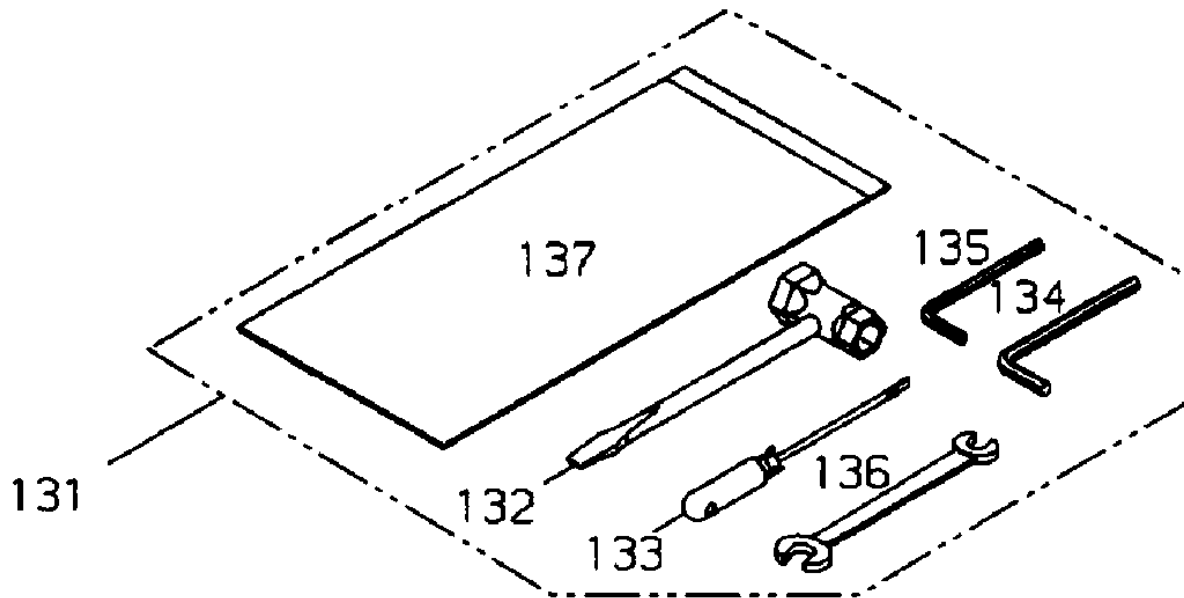
ILLUSTRATION 3 - REV 3/05

Ref. No	Part No.	Part Name	Q'ty
3- 1	20870-61103	GEAR CASE COMP	1
2	20870-61113	*GEAR CASE	1
3	02006-06201	*BEARING	1
4	02002-06000	*BEARING	1
5	20870-61203	CASE COVER COMP	1
6	20870-61213	*CASE COVER	1
7	02002-06000	*BEARING	2
8	20870-61301	GEAR COMP	1
9	20870-61410	PINION SHAFT	1
10	20870-61420	CLUTCH DRUM	1
11	20870-61500	ROD COMP	2
12	15401-11008	COLLAR	2
13	20870-61611	PLATE	1
14	20870-61621	PLATE	1
15	20870-61630	PACKING	1
16	20870-61650	GASKET CASE	1
17	01020-05120	BOLT	3
18	01020-04140	BOLT	6
19	20870-61640	GREASE NIPPLE	1
20	63810-62010	CUTTER ASSEMBLY	1
21	20870-62201	*GUIDE BAR COMP	1
22	18500-70004	*BLADE UPPER	1
23	18500-70005	*BLADE LOWER	1

Ref. No	Part No.	Part Name	Q'ty
24	20870-62110	*BOLT	3
25	20870-62120	*BOLT	1
26	20870-62150	*BOLT	1
27	20870-62131	*WASHER	4
28	20870-62141	*PLATE	1
29	11525-06210	*U NUT	3
30	20870-63120	*BOLT SLPW	1
31	20870-62210	HOLDER	1
32	11526-05212	FLANGE NUT	2
33	11525-06210	U NUT	1
34	20870-63211	PROTECTOR	1
35	20870-63120	BOLT SLPW	2
36	23627-21220	COLLAR	2
37	20870-65413	HANDLE STAY	1
38	11023-05250	BOLT SW	1
40	20870-65421	CUSHION	4
41	15401-10200	COLLAR	2
42	20870-65430	PLATE	2
43	11020-06350	BOLT SW	2
44	19402-00147	LABEL CAUTION	1
45	19601-01602	COVER	1
46	01020-06160	BOLT	3

TOOL SET

ILLUSTRATION 7 - REV 3/05



Ref. No	Part No.	Part Name	Q'ty
7-131	70871-92100	TOOLSET	1
132	22150-91410	*PLUG WRENCH	1
133	22150-91160	*DRIVER	1
134	09026-05001	*HEX WRENCH	1
135	09026-04001	*HEX WRENCH	1
136	22000-91120	*SPANNER	1
137	19639-01100	*POLY BAG	1



shindaiwa

www.shindaiwa.com

11975 SW Herman Road, Tualatin, Oregon 97062, U.S.A.

1 + 503.692.3070 • fax 1 + 503.692.6696 •

Item #xxxx Effective 03/05