

shindaiwa

PARTS PRICE LIST

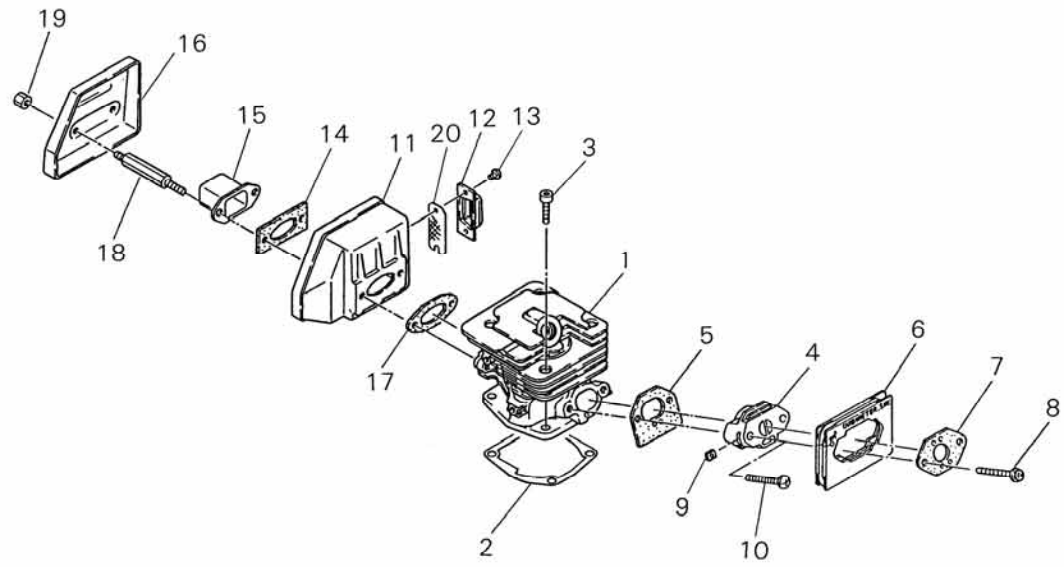
300S

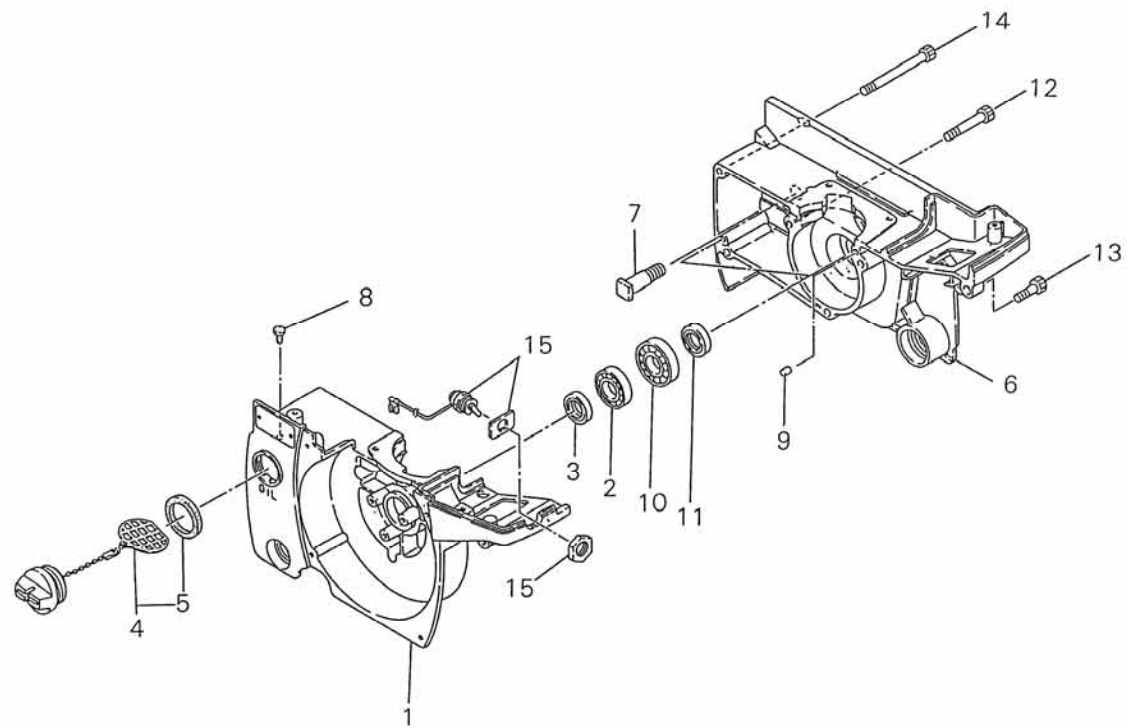
Shindaiwa Corporation

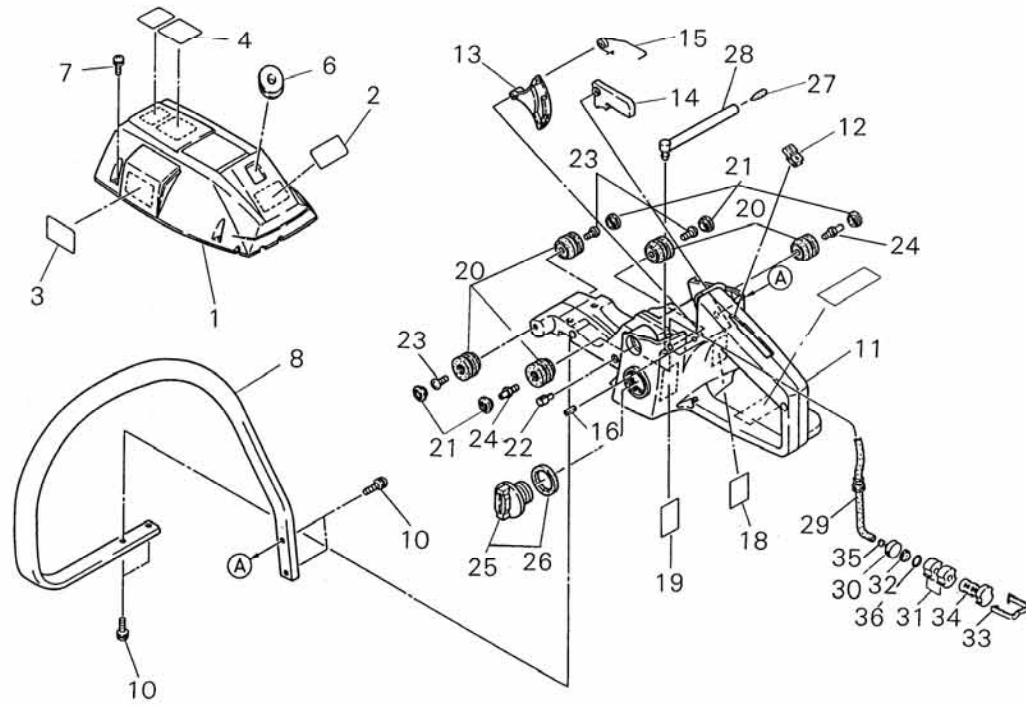
6-2-11,Ozuka-Nishi, Asaminami-ku, Hiroshima, 731-3167, Japan

Telephone (082) 849-2005 Fax (082) 849-2481

300S / EMC
MAR . 2 , 2009
Printed in Japan

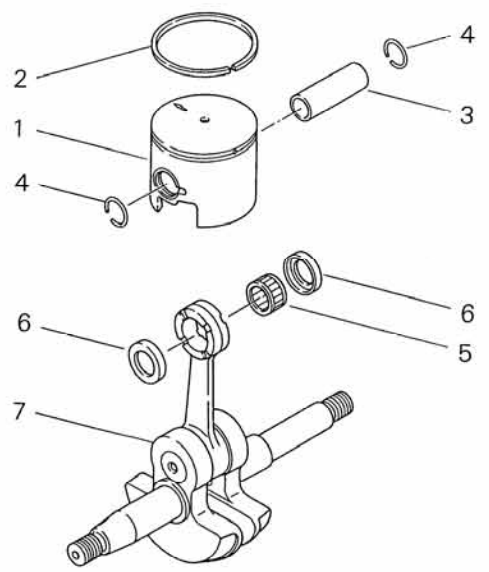


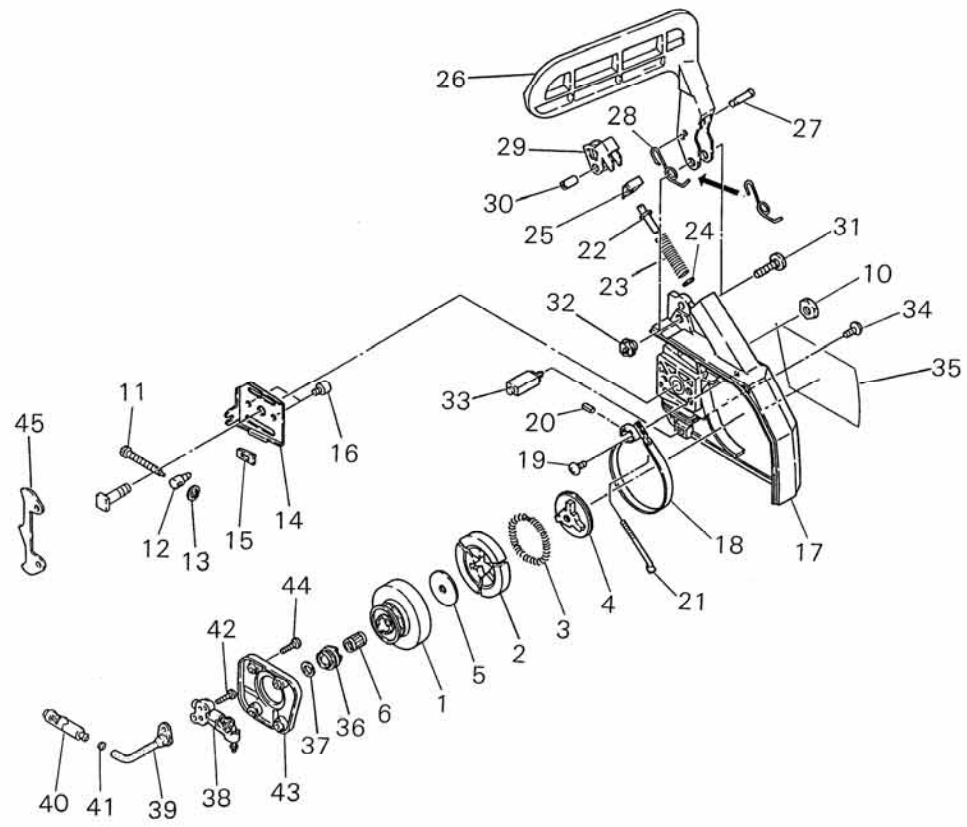




PRICE:(\\$)

Ref. No.	Part No.	Part Name	Q`ty	Unit Price(\$)	Remarks
3-1	22154-31111	CYLINDER COVER	1		
2	72288-31120	CAUTION PLATE,K	1		
3	72288-31130	CAUTION PLATE,A	1		
4	72288-31142	CAUTION PLATE,G	1		
6	22154-31160	GROMMET	1		
7	11206-04160	SCREW,PM-SPW	3		M4x16
8	72296-32111	FRONT HANDLE	1		
10	11029-50210	BOLT,HLP	4		
37	22137-33102	REAR HANDLE SUBASSY	1		
11	72303-33201	*REAR HANDLE	1		
12	22154-33310	*SLIDE STOPPER	1		
13	22154-33320	*THROTTLE LEVER	1		
14	22154-33330	*LOCK LEVER	1		
15	17520-11300	*COIL SPRING	1		
16	12420-40255	*SPRING PIN	2		4x25
18	72229-53130	CAUTION PLATE,H	1		
19	72229-75180	CAUTION PLATE,I	1		
20	22154-33731	CUSHION,22	5		
21	22154-33740	PLUG,22	5		
22	22154-33750	SUPPORTER	1		
23	22156-33750	BOLT,HLP	3		
24	22154-33761	STOPPER BOLT,22	2		
25	22137-33800	FUEL CAP ASSY	1		
26	22160-21351	*GASKET,CAP	1		
38	22154-33900	BREATHER ASSY	1		
27	22155-33950	*ELEMENT	1		
28	22154-33940	*PIPE	1		
39	22159-34100	FUEL PIPE ASSY	1		
29	22159-34110	FUEL PIPE	1		
40	22115-85401	*FUEL FILTER SUBASSY	1		
30	22128-85410	**WEIGHT,FUEL	1		
31	22128-85421	**FILTER	2		
32	22118-85460	**SCREEN	2		
33	22128-85440	**CLIP,FILTER	1		
34	22128-85470	**SLEEVE	1		
35	20020-85540	**CLIP	1		
36	22128-85480	**RING	1		





PRICE:(\$)

Ref. No.	Part No.	Part Name	Q`ty	Unit Price(\$)	Remarks
5-1	22163-51110	CLUTCH DRUM	1		
46	22154-51200	CLUTCH ASSY	1		
2	22154-51220	*CLUTCH SHOE	3		
3	22102-51230	*CLUTCH SPRING	1		
4	22154-51240	*CLUTCH BOSS,B	1		
5	22154-51250	CLUTCH BOSS,A	1		
6	22102-51310	NEEDLE BEARING	1		
10	22154-52410	NUT	1		
11	22154-52421	SLIDE SCREW	1		
12	22150-52440	SLIDE PIECE	1		
13	22154-52450	PUSH NUT	1		
14	22154-52460	MOUNT GUARD	1		
15	22154-52470	CHAIN PAD	1		
16	22154-52490	PIN,BAR	2		
47	72303-54102	BRAKE ASSY	1		
17	22154-54111	*CLUTCH COVER	1		
18	22156-54210	*BRAKE BAND	1		
19	01275-05102	*SCREW,TRUSS,T	1		5x10
20	02427-40125	*PIN	1		4x12
21	22156-54310	*ADJUST ROD	1		
22	22156-54320	*ADJUST SCREW	1		
23	22156-54330	*BRAKE SPRING	1		
24	01613-06100	*WASHER	1		6mm
25	22156-54410	*BLOCK	1		
26	72288-54310	*LEVER	1		
27	22156-54520	*STOPPER PIN	1		
28	22154-54540	*RELIEF SPRING	1		
29	72299-54560	*LEVER,C	1		
30	22156-54570	*PIN,LEVER	1		
31	22154-54580	*BOLT,LEVER	1		
32	22154-54590	*NUT,LEVER	1		
33	22154-54611	*CHAIN CATCHER	1		
34	01275-03082	*SCREW,TRUSS,T	1		3x8
35	72303-54811	*LABEL,TRADE	1		
36	22154-55110	GEAR	1		
37	22154-55120	THRUST PLATE	1		
38	22197-55201	OIL PUMP ASSY	1		
48	22154-55301	OIL PIPE ASSY	1		

