

Shindaiwa Illustrated Parts List

389s EC1 Chainsaw

CYLINDER / MUFFLER.....	2
CRANKCASE.....	3
CYLINDER / CLEANER / HANDLES / FUEL FILTER	4
PISTON / CRANKSHAFT	5
CLUTCH / OIL PUMP / CHAIN COVER	6 - 7
ROTOR / COIL ASSEMBLY.....	8
RECOIL STARTER.....	9
CARBURETOR / AIR CLEANER.....	10
TOOL SET.....	11

www.shindaiwa.com

11975 SW Herman Road

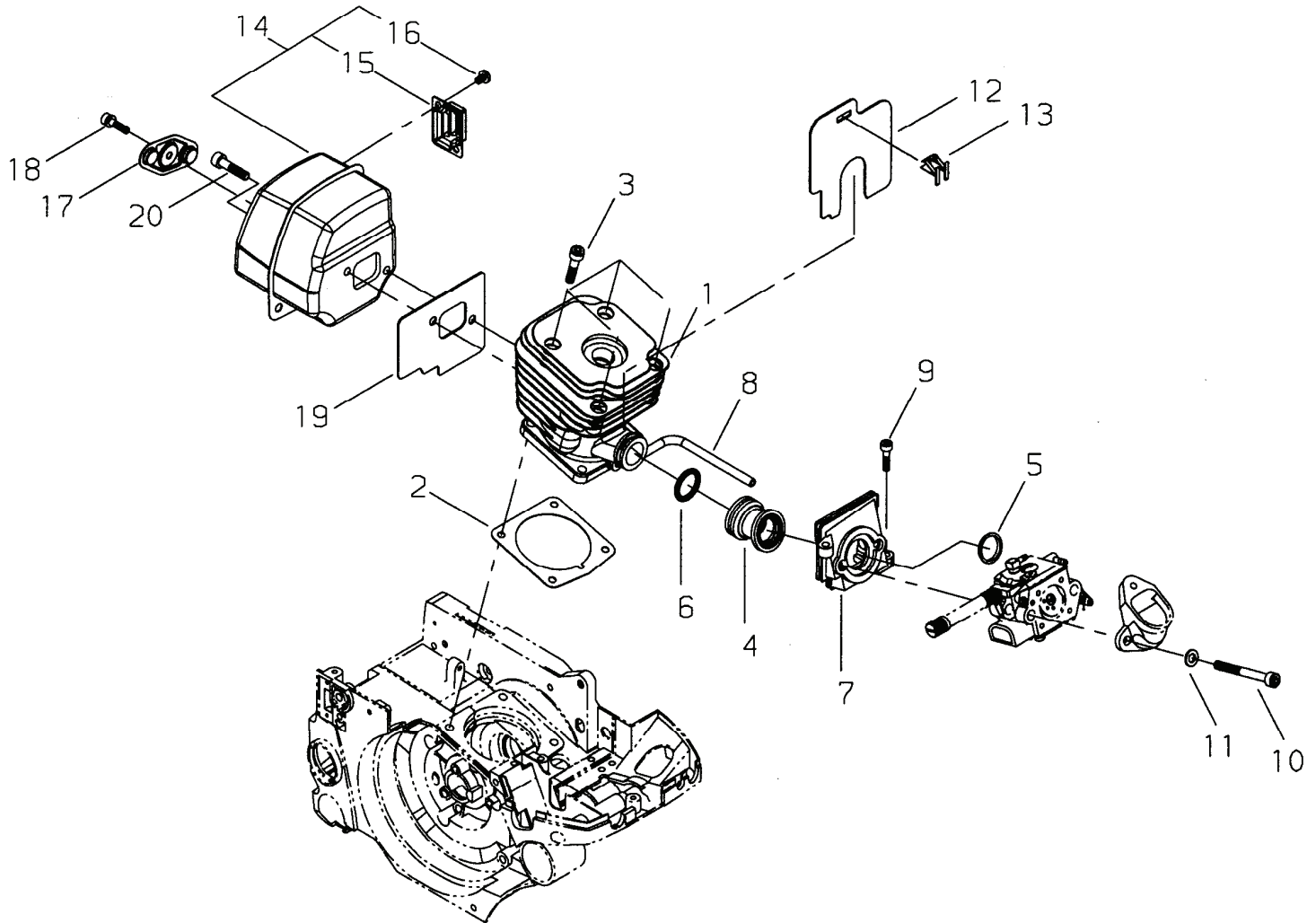
Tualatin, Oregon 97062, U.S.A.

1 + 503.692.3070 • fax 1 + 503.692.6696 •

shindaiwa

CYLINDER / MUFFLER

ILLUSTRATION 1 - REV 6/05

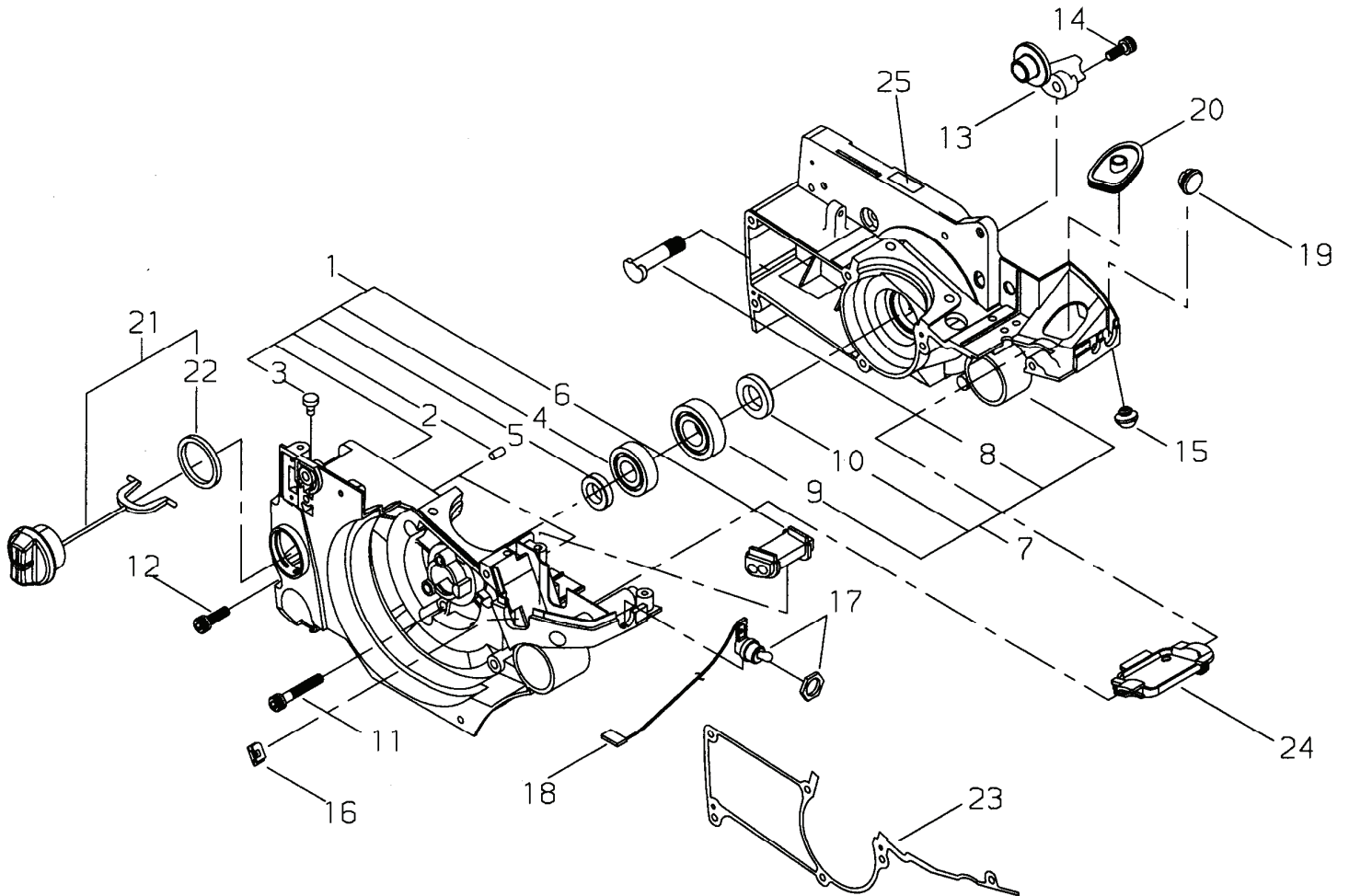


Ref. No	Part No.	Part Name	Q'ty
1-1	39304-12110	CYLINDER	1
2	22182-12120	GASKET CYLINDER	1
3	01020-05180	BOLT	4
4	39010-11031	BOOT	1
5	22156-14140	SLEEVE	1
6	22160-12160	SPRING	1
7	39010-11041	BRACKET	1
8	39010-11050	PLUSE PIPE	1
9	11060-04160	BOLT ADHESIVE	3
10	01020-05480	BOLT	2

Ref. No	Part No.	Part Name	Q'ty
11	01610-05080	WASHER	2
12	39304-31170	GASKET	1
13	39304-31180	CLIP	1
14	69024-15110	MUFFLER ASSEMBLY	1
15	72365-15210	*TAIL PLATE	1
16	11203-04060	*SCREW PM	2
17	22182-15120	CAP MUFFLER	1
18	11022-04100	BOLT SPW	1
19	39304-15211	GASKET	1
20	01020-05160	BOLT	4

CRANKCASE

ILLUSTRATION 2 - REV 6/05



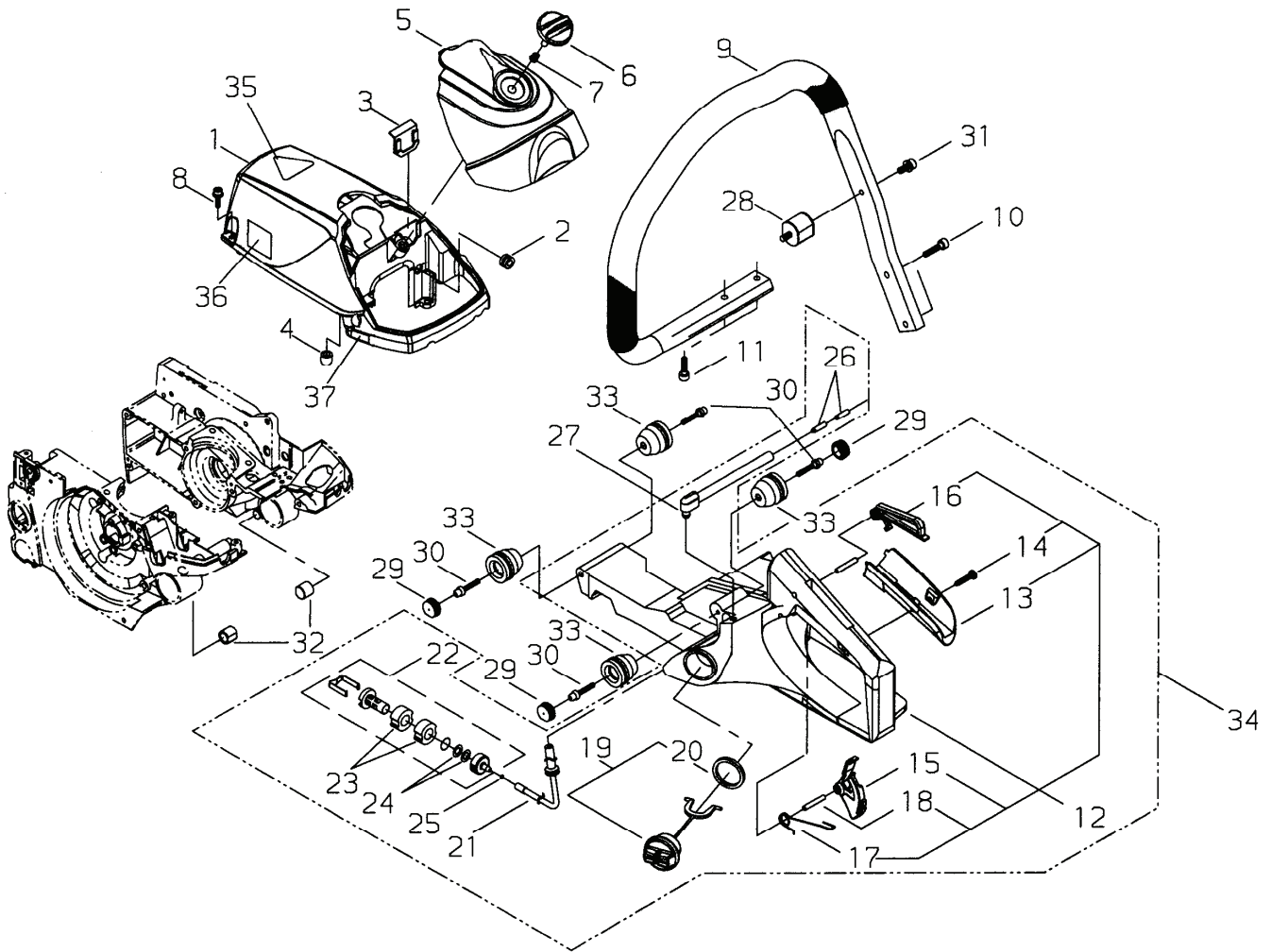
Ref. No	Part No.	Part Name	Q'ty
2-1	69024-21010	CASE M COMP	1
2	12492-40080	*ROLLER	2
3	22115-57120	*VALVE OIL TANK	1
4	02030-06001	*BEARING	1
5	22150-21250	*OIL SEAL	1
6	69024-21310	*GROMMET	1
7	39304-21020	CASE C COMP	1
8	22182-21530	*BOLT BAR	2
9	02030-06002	*BEARING	1
10	22182-21551	*OIL SEAL	1
11	01020-05300	BOLT	3
12	01020-05160	BOLT	3
13	22197-21610	CHAIN CATCHER	1

Ref. No	Part No.	Part Name	Q'ty
14	01020-05120	BOLT	1
15	22182-21621	SUPPORTER	1
16	39304-21130	GROMMET	1
17	22182-22101	SWITCH ASSEMBLY	1
18	22182-22141	CORD	1
19	22160-22220	PLUG SWITCH	1
20	22182-22211	GROMMET FUEL	1
21	72320-31403	CAP ASSEMBLY	1
22	22160-21351	*GASKET CAP	1
23	39010-21310	GASKET CASE	1
24	39304-21321	GROMMET	1
25	19401-00093	LABEL INST	1

* Denotes item is part of an assembly ** Denotes item is part of a sub-assembly

CYLINDER / CLEANER / HANDLES / FUEL FILTER

ILLUSTRATION 1 - REV 6/05

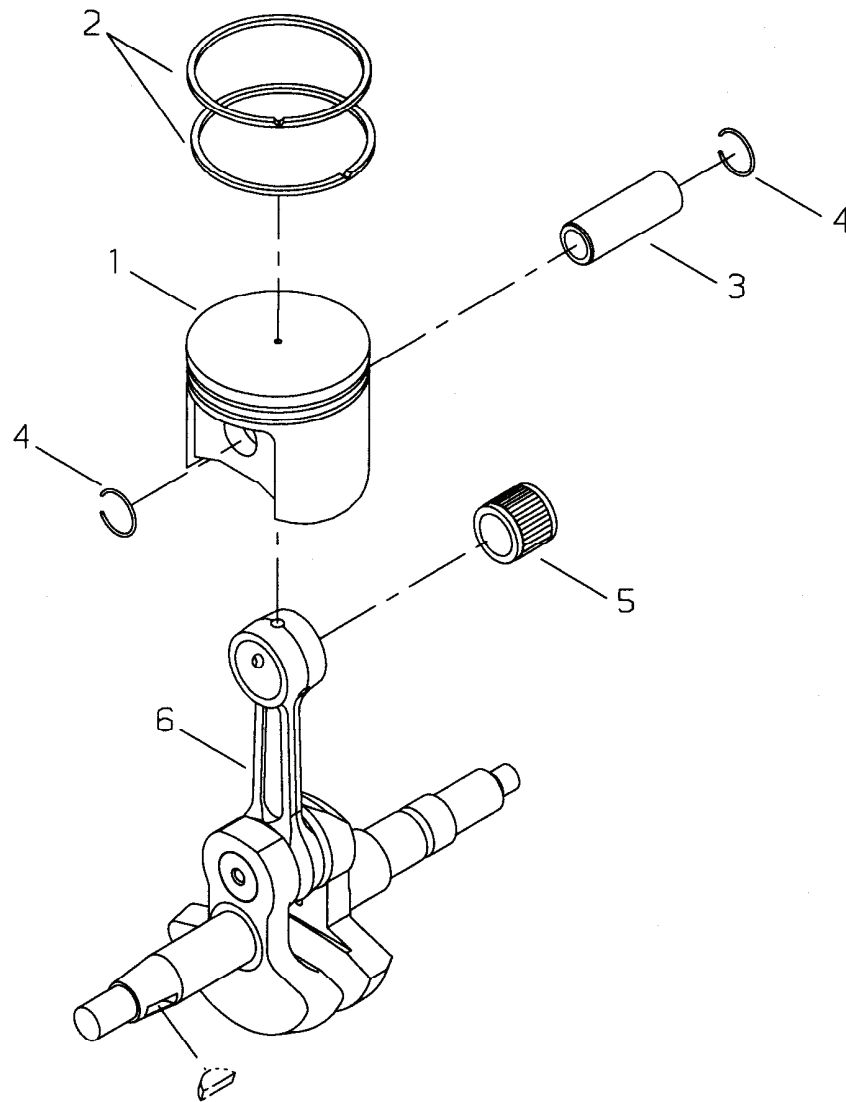


Ref. No	Part No.	Part Name	Q'ty
3-1	39304-31110	CYLINDER COVER	1
2	15250-60500	GROMMET CHOKE	1
3	39304-31140	PLUG	1
4	22182-31160	SUPPORTER	1
5	69024-82130	CLEANER COVER	1
6	22182-31220	KNOB CLEANER COVER	1
7	22182-31230	SPRING	1
8	11024-04140	BOLT SPW	4
9	39304-32110	FRONT HANDLE	1
10	11029-50210	BOLT HILO	2
11	11029-50170	BOLT HILO	2
34	39304-32020	REAR HANDLE ASSEMBLY	1
12	39010-32030	*REAR HANDLE SUB ASSEMBLY	1
13	22182-33230	**GRIP	1
14	01280-04202	**SCREW TAPPING	1
15	22182-33325	**THROTTLE LEVER	1
16	22182-33331	**LOCK LEVER	1
17	22182-33340	**SPRING LEVER	1
18	12420-40255	**SPRING PIN	1

Ref. No	Part No.	Part Name	Q'ty
19	22197-33802	*CAP ASSEMBLY	1
20	22160-21351	**GASKET CAP	1
21	39304-32310	*FUEL PIPE	1
22	22115-85401	*FUEL FILTER SUB ASSEMBLY	1
23	22128-85421	**FILTER	2
24	22118-85460	**SCREEN	2
25	20020-85540	*CLIP	1
26	22155-33950	*ELEMENT	2
27	22182-33940	*BREATHER PIPE	1
28	22182-33742	CUSHION	1
29	39304-33750	PLUG	3
30	22156-33750	BOLT HILO	4
31	11022-04100	BOLT SPW	1
32	22182-33760	SUPPORTER	2
33	39304-33710	CUSHION	4
35	19402-00083	LABEL CAUTION	1
36	19404-00037	LABEL DECIBEL	1
37	19401-00094	LABEL INST	1

PISTON / CRANKSHAFT

ILLUSTRATION 4 - REV 6/05

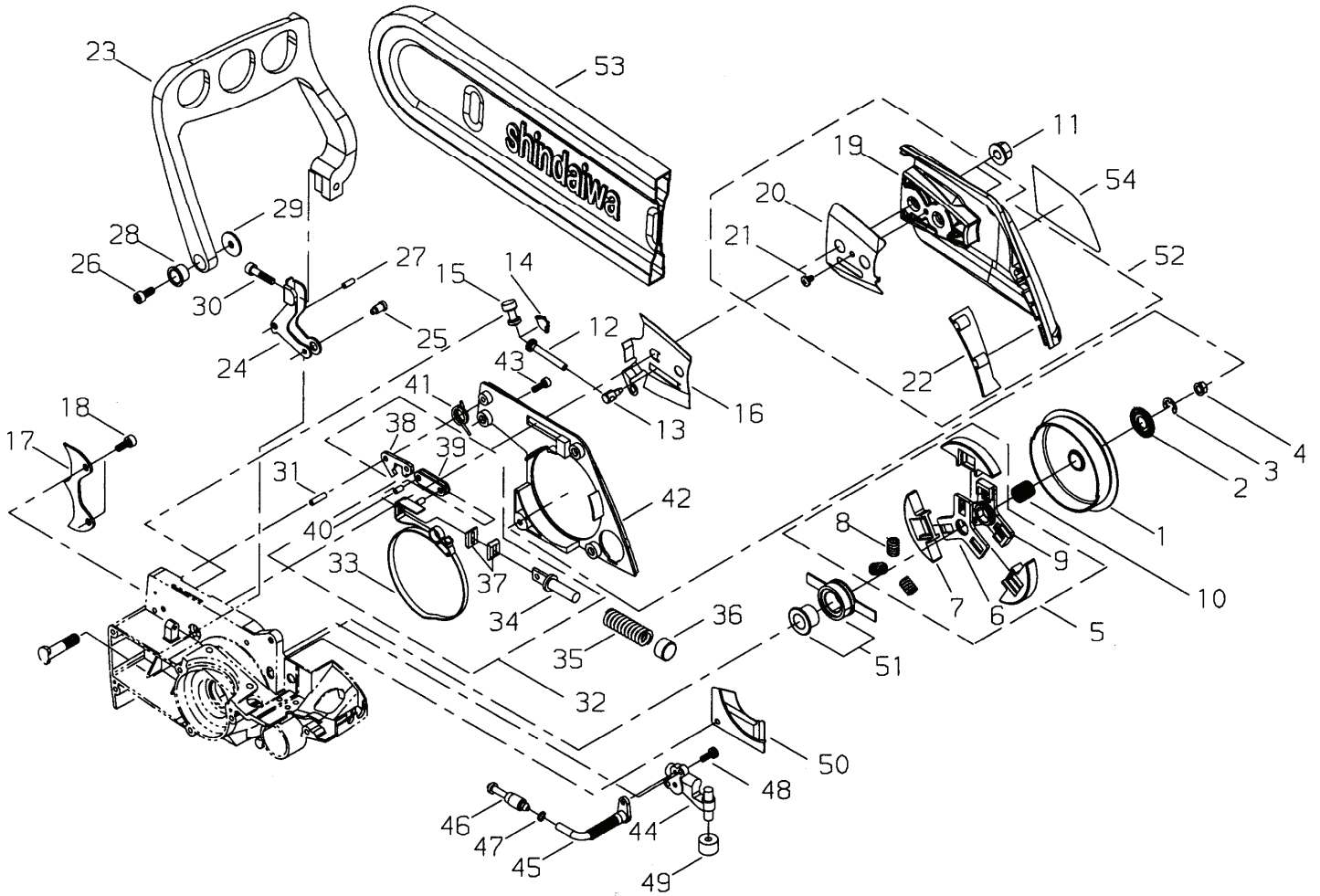


Ref. No	Part No.	Part Name	Q'ty
4-1	39010-41111	PISTON	1
2	39010-41120	PISTON RING	2
3	22160-41220	PISTON PIN	1
4	22100-41230	SNAP RING	2
5	22160-41240	BEARING SE	1
6	22182-42001	CRANKSHAFT	1

* Denotes item is part of an assembly ** Denotes item is part of a sub-assembly

CLUTCH / OIL PUMP / CHAIN COVER

ILLUSTRATION 5 - REV 6/05



CLUTCH / OIL PUMP / CHAIN COVER

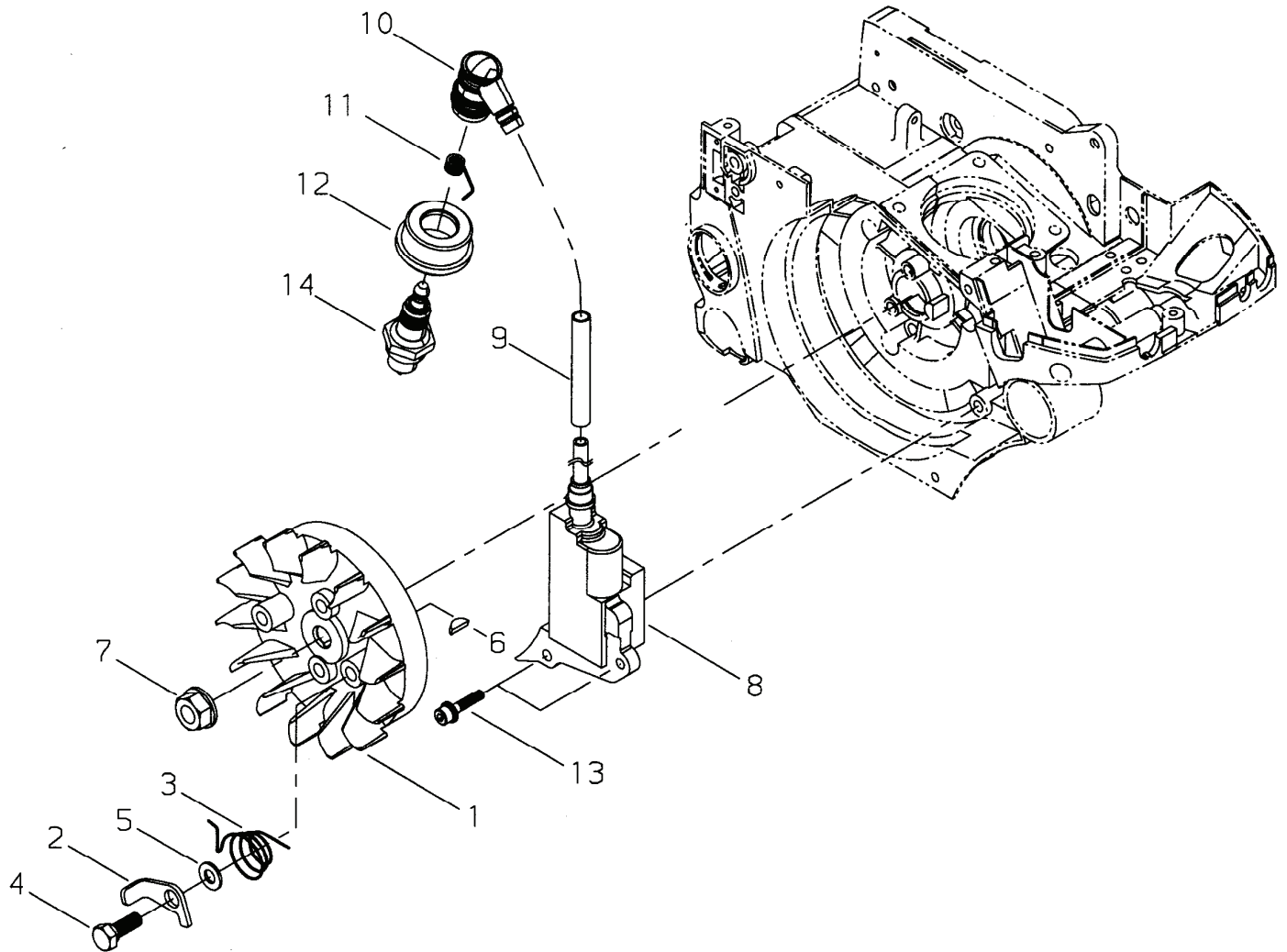
ILLUSTRATION 5 - REV 6/05

Ref. No	Part No.	Part Name	Q'ty
5- 1	72358-51110	CLUTCH DRUM	1
2	22182-51130	WASHER	1
3	22182-51140	SNAP RING	1
4	22182-51170	NUT	1
5	22197-51200	CLUTCH ASSEMBLY	1
6	22182-51210	*CLUTCH BOSS A	1
7	22182-51220	*CLUTCH SHOE	3
8	22197-51230	*CLUTCH SPRING	3
9	22182-51241	*CLUTCH BOSS B	1
10	22100-51310	NEEDLE BEARING	1
11	22182-52411	NUT	2
12	22182-52620	SLIDE SCREW	1
13	22150-52440	SLIDE PIECE	1
14	22182-52631	GUIDE	1
15	22182-52641	ADJUST GEAR	1
16	72357-52661	GUIDE PLATE	1
17	22182-52680	SPIKE	1
18	01020-05120	BOLT	2
52	39304-53010	CLUTCH COVER ASSEMBLY	1
19	39304-53110	*CLUTCH COVER	1
20	22182-54162	*GUIDE PLATE	1
21	01270-04062	*SCREW TAPPING	1
22	22182-54170	*PROTECTOR	1
23	72357-54510	GUARD	1
24	22197-54521	LEVER	1
25	22182-54540	BOLT LEVER	1
26	01020-05120	BOLT	1

Ref. No	Part No.	Part Name	Q'ty
27	12492-40110	ROLLER	1
28	22169-54660	SPACER	1
29	22169-54670	WASHER	1
30	01020-05220	BOLT	1
31	12492-40160	ROLLER	1
32	39304-54310	BRAKE BAND COMP	1
33	72357-54212	*BRAKE BAND	1
34	72316-54220	*HOLDER SPRING	1
37	72316-54310	*ADJUST PLATE	2
38	22173-54561	*INNER LEVER	1
39	72316-54570	*TIE STRAP	1
40	12492-40080	*ROLLER	2
35	72316-54230	BRAKE SPRING	1
36	72316-54240	STOPPER	1
41	72357-54580	SPRING LEVER	1
42	22197-54611	COVER BRAKE	1
43	11060-04122	BOLT ADHESIVE	4
44	22197-55200	OIL PUMP ASSEMBLY	1
45	22182-55311	OIL PIPE	1
46	22182-55330	OIL FILTER	1
47	22154-85540	CLIP OIL	1
48	11205-04120	SCREW PM	2
49	22169-55430	FILTER	1
50	22182-56110	PUMP COVER	1
51	22197-55110	GEAR	1
53	19600-44103	CHAIN COVER	1
54	69024-91331	LABEL TRADE	1

ROTOR / COIL ASSEMBLY

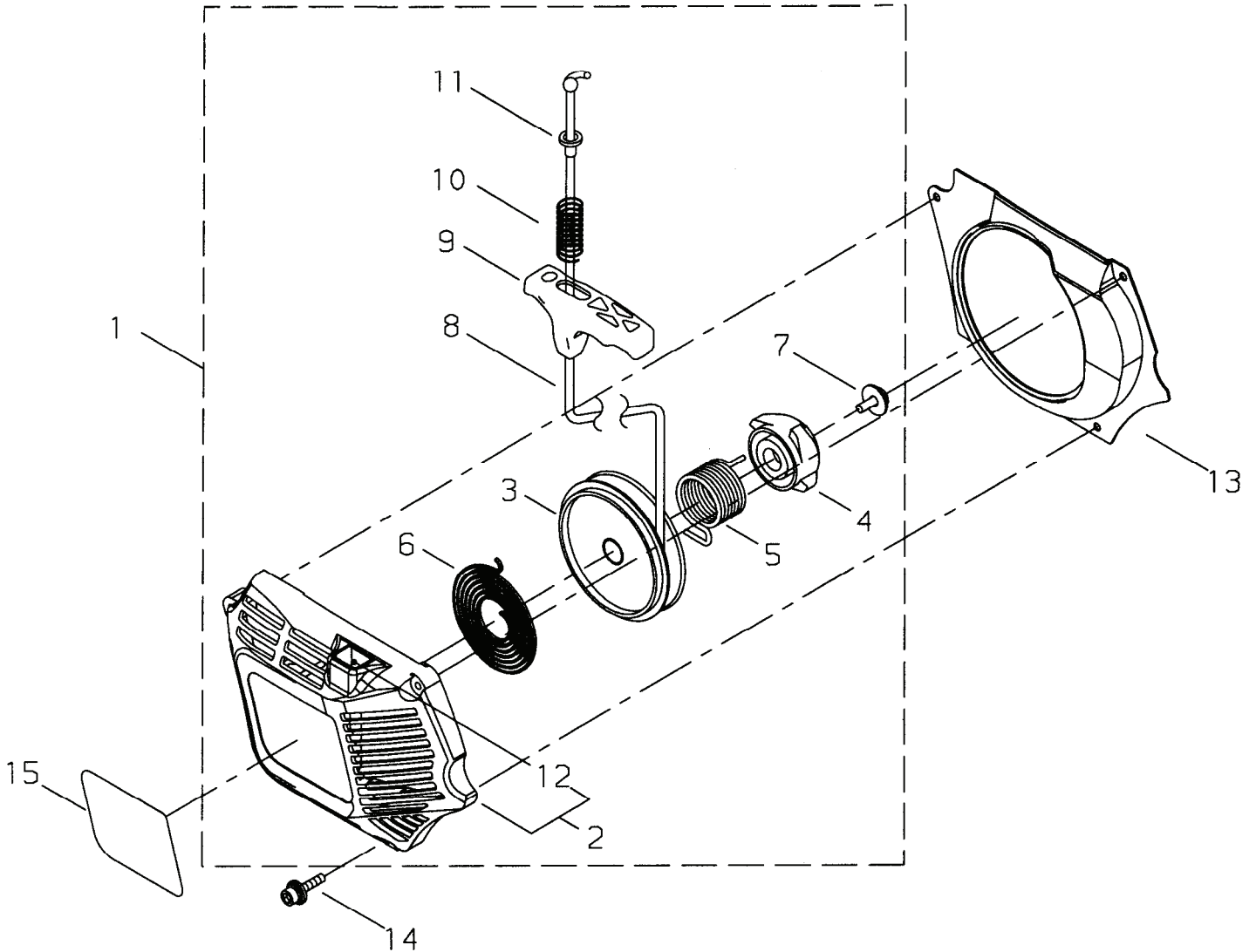
ILLUSTRATION 6 - REV 6/05



Ref. No	Part No.	Part Name	Q'ty
6-1	22182-71111	ROTOR	1
2	22182-71412	RATCHET	2
3	22182-71421	SPRING RATCHET	2
4	22182-71440	BOLT	2
5	22182-71430	WASHER	2
6	02403-03100	KEY	1
7	22169-71460	NUT	1
8	22182-71601	COIL SUB ASSEMBLY	1
9	14009-96012	TUBE	1
10	22160-72220	PLUG CAP	1
11	22154-72230	SPRING PLUG	1
12	22182-72260	SEAL CAP	1
13	11022-04200	BOLT SPW	2
14	13000-13507	SPARK PLUG BPMR7A	1

RECOIL STARTER

ILLUSTRATION 7 - REV 6/05

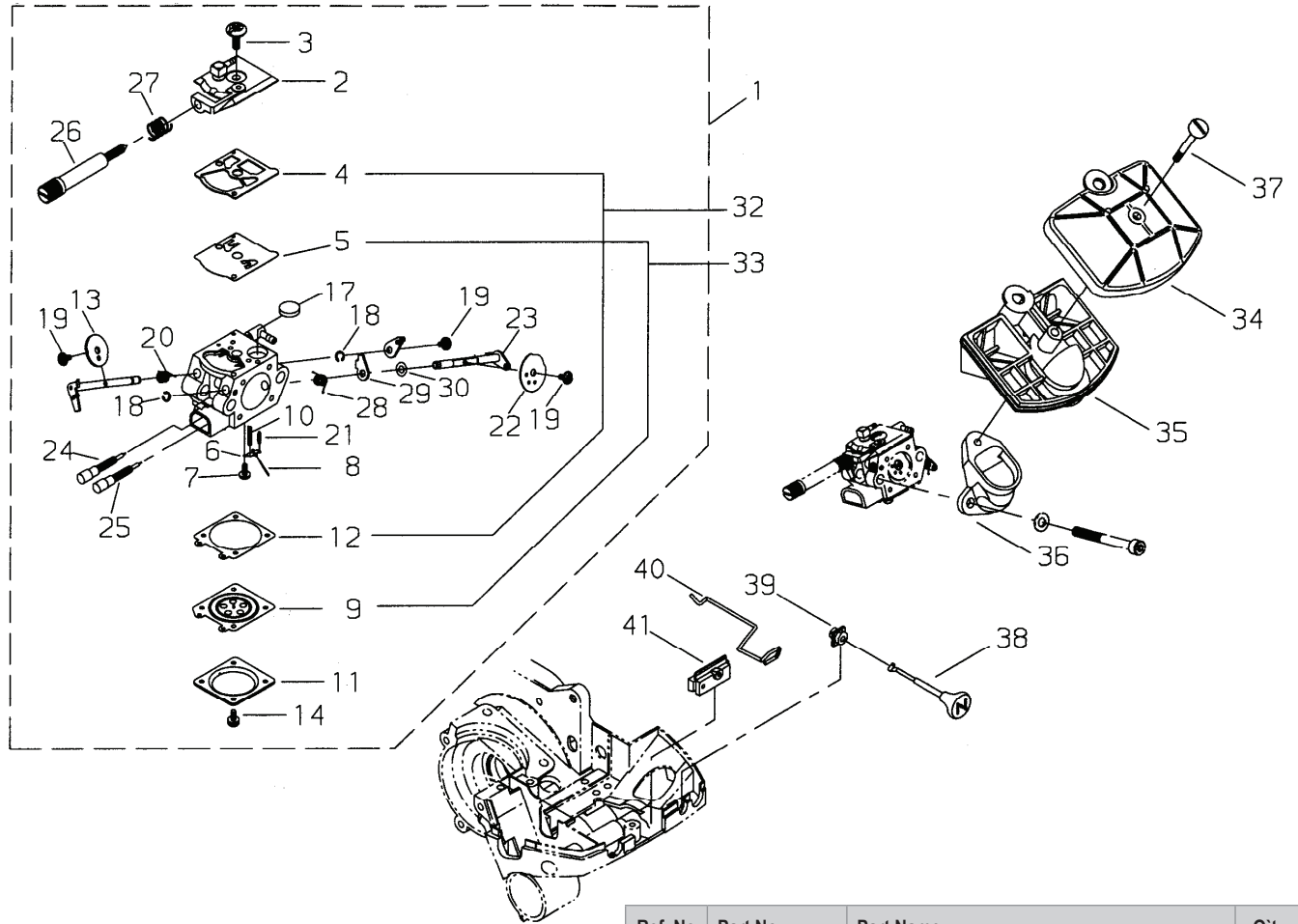


Ref. No	Part No.	Part Name	Q'ty
7-1	39304-75010	RECOIL STARTER ASSEMBLY	1
2	39304-75110	*STARTER CASE	1
12	22182-75120	**GUIDE	1
3	39300-75121	*REEL	1
4	39300-75311	*CAM	1
5	39300-75320	*COIL SPRING	1
6	39300-75130	*RECOIL SPRING	1
7	39300-75330	*SCREW	1
8	39300-75140	*ROPE	1
9	39300-75150	*KNOB	1
10	39300-75340	*COIL SPRING	1
11	39300-75350	*SPACER	1
13	39304-75210	AIR PLATE	1
14	11060-04242	BOLT ADHESIVE	3
15	69024-91321	LABEL TRADE	1

* Denotes item is part of an assembly ** Denotes item is part of a sub-assembly

CARBURETOR / AIR CLEANER

ILLUSTRATION 8 - REV 6/05

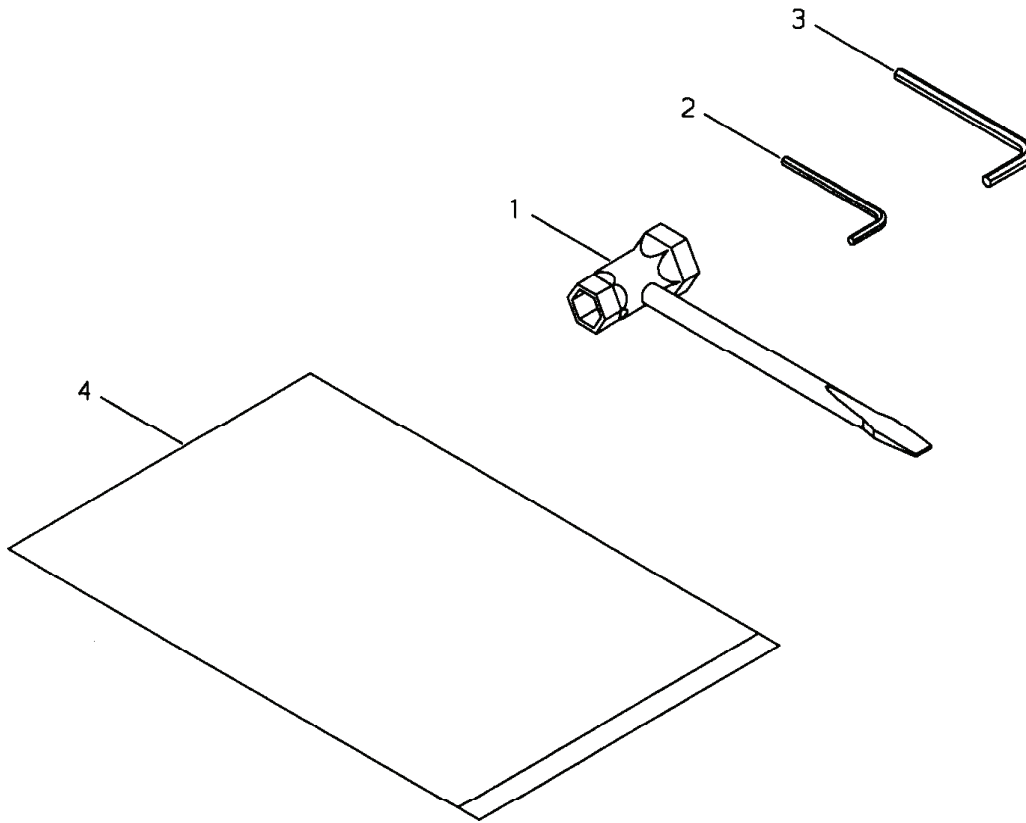


Ref. No	Part No.	Part Name	Q'ty
8-1	69024-81010	CARBURETOR ASSEMBLY	1
2	39010-81320	*PUMP COVER ASSEMBLY	1
3	22100-81130	*SCREW	1
4	22128-81140	*GASKET PUMP COVER	1
5	22128-81150	*DIAPHRAGM PUMP	1
6	22100-81230	*LEVER	1
7	22100-81240	*SCREW	1
8	22100-81250	*PIN	1
9	22100-81260	*DIAPHRAGM ASSEMBLY	1
10	72342-81270	*SPRING LEVER	1
11	22100-81280	*COVER DIAPHRAGM	1
12	22100-81290	*GASKET DIAPHRAGM	1
13	22197-81340	*THROTTLE VALVE	1
14	22100-81351	*SCREW	4
17	70030-81380	*SCREEN	1
18	70030-81390	*E-RING	2
19	20803-81150	*SCREW ASSEMBLY	3
20	72320-81420	*RETURN SPRING	1
21	20036-81440	*NEEDLE VALVE	1
22	22156-81710	*CHOKE VALVE	1

Ref. No	Part No.	Part Name	Q'ty
23	22180-81740	*SHAFT ASSEMBLY	1
24	69024-81320	*NEEDLE	1
25	69024-81330	*NEEDLE	1
26	22156-81410	*IDLE SCREW	1
27	22156-81420	*SPRING IDLE	1
28	22180-81460	*SPRING CHOKE	1
29	22180-81471	*LEVER	1
30	20036-81185	*WASHER	1
32	22128-81920	GASKET KIT	1
4	22128-81140	*GASKET PUMP COVER	1
12	22100-81290	*GASKET DIAPHRAGM	1
33	22128-81910	DIAPHRAGM KIT	1
5	22128-81150	*DIAPHRAGM PUMP	1
9	22100-81260	*DIAPHRAGM ASSEMBLY	1
34	39010-82110	AIR CLEANER UPPER	1
35	39010-82120	AIR CLEANER LOWER	1
36	22182-97840	ELBOW	1
37	22182-97851	SCREW	1
38	22182-82121	CHOKE ROD	1
39	22182-82130	GROMMET CHOKE	1
40	22182-82142	THROTTLE ROD	1
41	22182-82151	GROMMET ROD	1

TOOL SET

ILLUSTRATION 9 - REV 6/05



Ref. No	Part No.	Part Name	Q'ty
9- 1	22000-91181	PLUG WRENCH	1
2	09026-03001	HEXA WRENCH 4MM	1
3	09026-04001	HEXA WRENCH 5MM	1
4	19639-01100	POLY BAG	1

* Denotes item is part of an assembly ** Denotes item is part of a sub-assembly



shindaiwa

www.shindaiwa.com

11975 SW Herman Road, Tualatin, Oregon 97062, U.S.A.

1 + 503.692.3070 • fax 1 + 503.692.6696 •

Item #xxxx Effective 06/05