

Shindaiwa Illustrated Parts List

488 EC1 Chainsaw

| | |
|--|-------|
| CYLINDER / MUFFLER | 2 |
| CRANKCASE | 3 |
| CYLINDER COVER / HANDLES / FUEL FILTER | 4 - 5 |
| CLUTCH / OIL PUMP / CHAIN COVER | 6 - 7 |
| PISTON / CRANKSHAFT | 8 |
| ROTOR / IGNITION COIL | 9 |
| RECOIL STARTER | 10 |
| CARBURETOR / AIR CLEANER | 11 |
| TOOL SET | 12 |

www.shindaiwa.com

11975 SW Herman Road

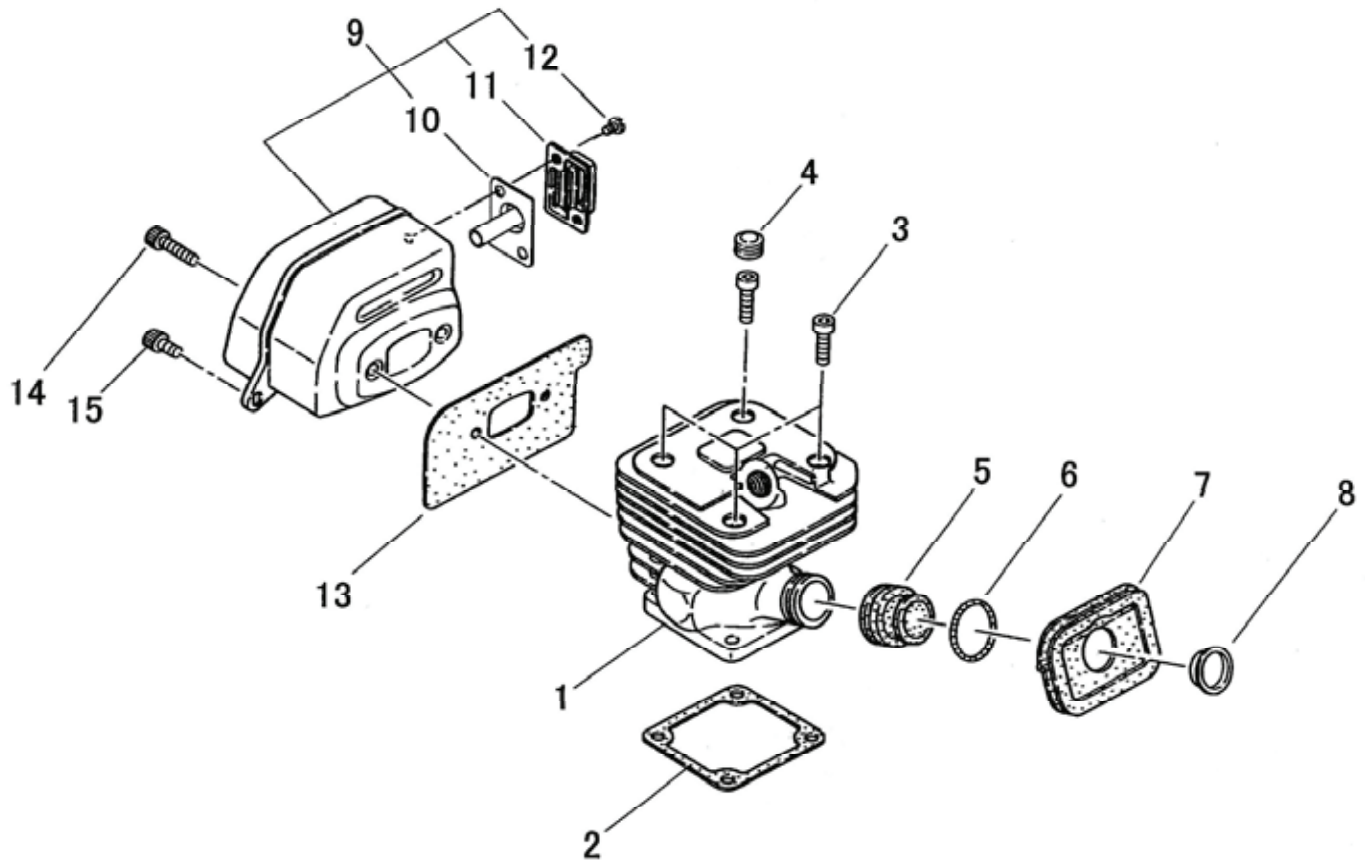
Tualatin, Oregon 97062, U.S.A.

1 + 503.692.3070 • fax 1 + 503.692.6696 •

shindaiwa

CYLINDER / MUFFLER

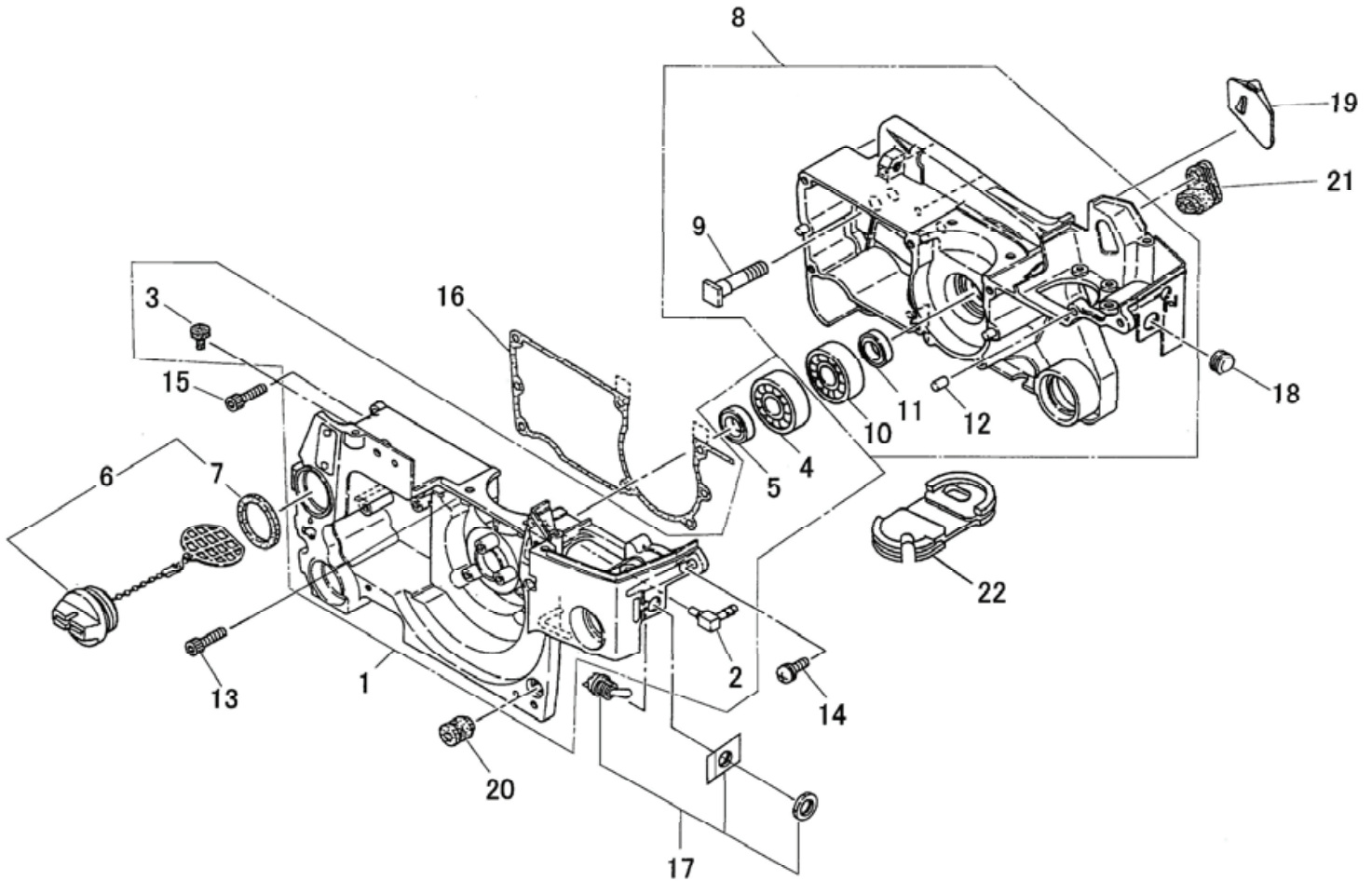
ILLUSTRATION 1 - REV 7/05



| Ref. No | Part No. | Part Name | Q'ty |
|---------|-------------|----------------------|------|
| 1- 1 | 22157-12110 | CYLINDER | 1 |
| 2 | 22160-12121 | GASKET CYLINDER | 1 |
| 3 | 22157-12130 | BOLT | 4 |
| 4 | 22160-22220 | PLUG SWITCH | 1 |
| 5 | 22160-12150 | BOOT | 1 |
| 6 | 22160-12160 | SPRING | 1 |
| 7 | 22160-12170 | SEAL | 1 |
| 8 | 22115-14140 | SLEEVE | 1 |
| 9 | 72312-15100 | MUFFLER SUB ASSEMBLY | 1 |
| 10 | 72312-15220 | *SILENCER | 1 |
| 11 | 22160-15210 | *TAIL PLATE | 1 |
| 12 | 11203-04060 | *SCREW PM | 2 |
| 13 | 22160-15311 | GASKET MUFFLER | 1 |
| 14 | 22157-12130 | BOLT | 2 |
| 15 | 22157-15330 | BOLT | 2 |

CRANKCASE

ILLUSTRATION 2 - REV 7/05



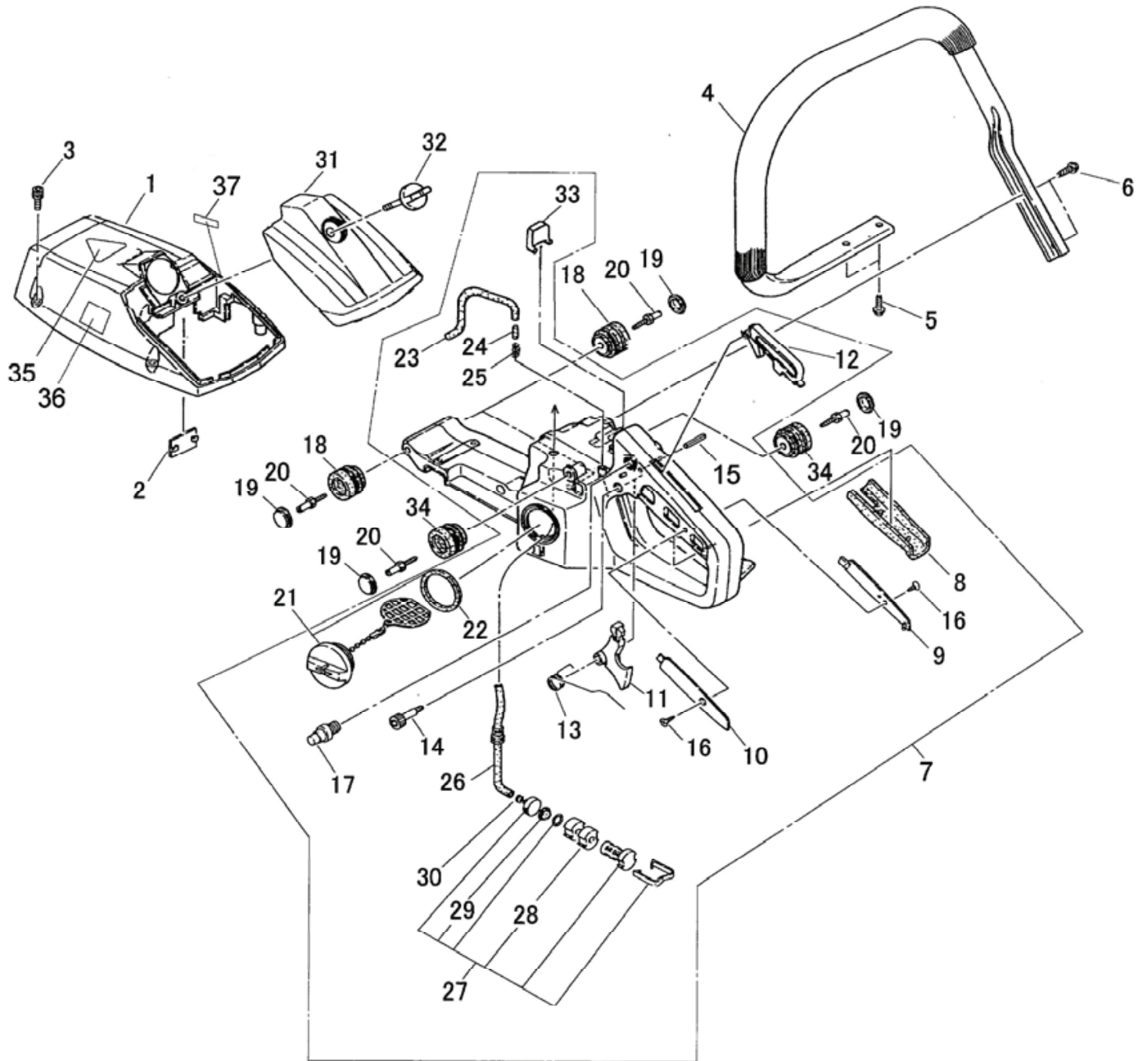
| Ref. No | Part No. | Part Name | Q'ty |
|---------|-------------|------------------|------|
| 2-1 | 22160-21202 | CRANKCASE M COMP | 1 |
| 2 | 22150-21220 | *PULSE JOINT | 1 |
| 3 | 22115-57120 | *VALVE OIL TANK | 1 |
| 4 | 12900-62010 | *BEARING | 1 |
| 5 | 22150-21250 | *OIL SEAL | 1 |
| 6 | 22160-21302 | OIL CAP ASSEMBLY | 1 |
| 7 | 22160-21351 | *GASKET CAP | 1 |
| 8 | 22160-21502 | CRANKCASE C COMP | 1 |
| 9 | 72312-21520 | *BOLT BAR | 2 |
| 10 | 12900-62010 | *BEARING | 1 |
| 11 | 22150-21250 | *OIL SEAL | 1 |

| Ref. No | Part No. | Part Name | Q'ty |
|---------|-------------|-----------------|------|
| 12 | 12492-50100 | *DOWEL PIN | 3 |
| 13 | 22157-21750 | BOLT | 4 |
| 14 | 22157-21760 | SCREW PM | 1 |
| 15 | 22157-12130 | BOLT | 2 |
| 16 | 22160-21720 | GASKET CASE | 1 |
| 17 | 72365-21310 | SWITCH ASSEMBLY | 1 |
| 18 | 22160-22220 | PLUG SWITCH | 1 |
| 19 | 22160-22250 | STOPPER H | 1 |
| 20 | 22160-33730 | SUPPORTER | 1 |
| 21 | 69026-21310 | GROMMET | 1 |
| 22 | 72312-22260 | GROMMET A | 1 |

* Denotes item is part of an assembly ** Denotes item is part of a sub-assembly

CYLINDER COVER / HANDLES / FUEL FILTER

ILLUSTRATION 3 - REV 7/05



CYLINDER COVER / HANDLES / FUEL FILTER

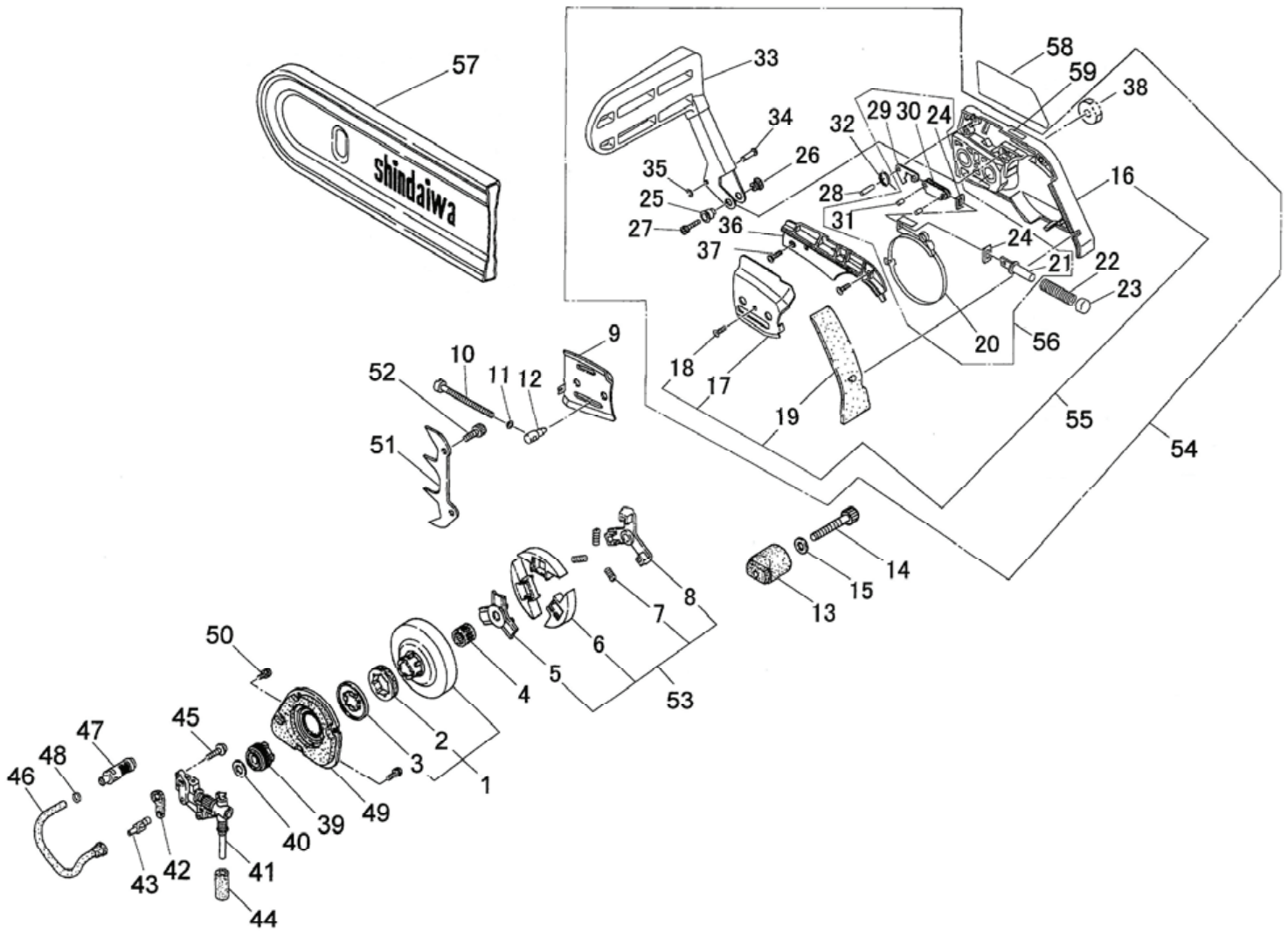
ILLUSTRATION 3 - REV 7/05

| Ref. No | Part No. | Part Name | Q'ty |
|---------|-------------|--------------------------|------|
| 3-1 | 22160-31110 | CYLINDER COVER | 1 |
| 2 | 22160-31120 | PLUG | 1 |
| 3 | 22160-31150 | BOLT SW | 3 |
| 4 | 72311-32110 | FRONT HANDLE | 1 |
| 5 | 22160-32210 | SCREW PC | 2 |
| 6 | 22160-32220 | SCREW PC | 2 |
| 7 | 22160-33104 | REAR HANDLE SUB ASSEMBLY | 1 |
| 8 | 22160-33310 | *GRIP | 1 |
| 9 | 22160-33320 | *PLATE R | 1 |
| 10 | 22160-33330 | *PLATE L | 1 |
| 11 | 39309-32240 | *THROTTLE LEVER | 1 |
| 12 | 22160-33360 | *LOCK LEVER | 1 |
| 13 | 22160-33370 | *SPRING LEVER | 1 |
| 14 | 22160-33380 | *BOLT LEVER | 1 |
| 15 | 12420-40255 | *SPRING PIN | 1 |
| 16 | 11202-40120 | *SCREW HILO | 1 |
| 17 | 22160-33401 | *STOPPER ASSEMBLY | 1 |
| 21 | 22160-33801 | *CAP ASSEMBLY | 1 |
| 22 | 22160-33821 | **GASKET | 1 |

| Ref. No | Part No. | Part Name | Q'ty |
|---------|-------------|---------------------------|------|
| 23 | 22160-33910 | *PIPE BREATHER | 1 |
| 24 | 22157-33950 | *ELEMENT | 1 |
| 25 | 22160-33920 | *SPRING | 1 |
| 26 | 22160-34110 | *FUEL PIPE | 1 |
| 27 | 22115-85401 | *FUEL FILTER SUB ASSEMBLY | 1 |
| 28 | 22128-85421 | **FILTER | 2 |
| 29 | 22118-85460 | **SCREEN | 2 |
| 30 | 20020-85540 | CLIP | 1 |
| 33 | 22160-33590 | STOPPER R | 1 |
| 18 | 22160-33710 | CUSHION 27 | 3 |
| 19 | 22160-33720 | PLUG 27 | 5 |
| 20 | 22160-33770 | STOPPER BOLT | 5 |
| 31 | 22157-82510 | CLEANER COVER | 1 |
| 32 | 22155-82520 | KNOB CLEANER COVER | 1 |
| 34 | 22160-97810 | CUSHION 27 | 2 |
| 35 | 19402-00083 | LABEL CAUTION | 1 |
| 36 | 19404-00036 | LABEL DECIBEL | 1 |
| 37 | 19401-00094 | LABEL INST | 1 |

CLUTCH / OIL PUMP / CHAIN COVER

ILLUSTRATION 5 - REV 7/05



CLUTCH / OIL PUMP / CHAIN COVER

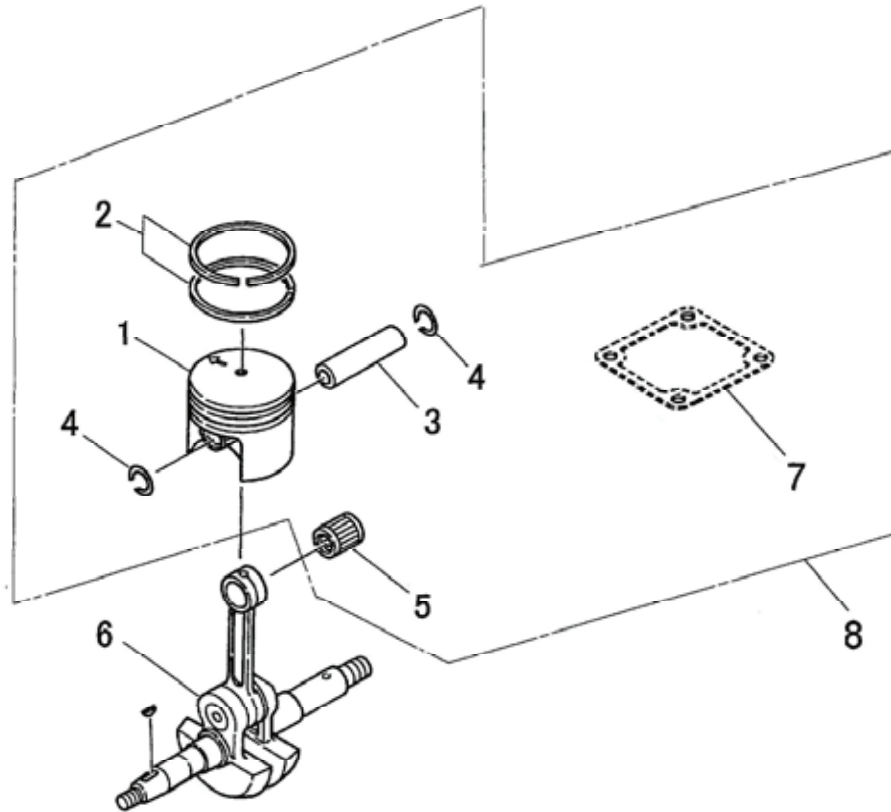
ILLUSTRATION 5 - REV 7/05

| Ref. No | Part No. | Part Name | Q'ty |
|---------|-------------|----------------------------|------|
| 5- 1 | 22160-51501 | CLUTCH DRUM ASSEMBLY | 1 |
| 2 | 22131-98120 | *RIM | 1 |
| 3 | 22160-51530 | *COVER | 1 |
| 4 | 22100-51310 | NEEDLE BEARING | 1 |
| 53 | 72346-51202 | CLUTCH ASSEMBLY | 1 |
| 5 | 22160-51210 | *CLUTCH BOSS A | 1 |
| 6 | 72346-51220 | *CLUTCH SHOE | 3 |
| 7 | 72346-51311 | *CLUTCH SPRING | 3 |
| 8 | 22160-51240 | *CLUTCH BOSS B | 1 |
| 9 | 72316-54150 | GUIDE PLATE C | 1 |
| 10 | 72316-53310 | SLIDE SCREW | 1 |
| 11 | 72316-53320 | SNAP RING | 1 |
| 12 | 22150-52440 | SLIDE PIECE | 1 |
| 13 | 22160-52511 | CHAIN CATCHER | 1 |
| 14 | 22155-12190 | BOLT | 1 |
| 15 | 01611-05100 | WASHER | 1 |
| 54 | 69026-53010 | CLUTCH COVER SUB ASSEMBLY | 1 |
| 55 | 72346-54191 | *CLUTCH COVER SUB ASSEMBLY | 1 |
| 16 | 72346-54112 | **CLUTCH COVER | 1 |
| 17 | 72316-54160 | **GUIDE PLATE D | 1 |
| 18 | 01270-04082 | **SCREW TAPPING | 1 |
| 19 | 72316-54170 | **PROTECTOR | 1 |
| 56 | 39020-53320 | *BRAKE BAND COMP | 1 |
| 20 | 72345-54210 | **BRAKE BAND | 1 |
| 21 | 72316-54220 | **HOLDER SPRING | 1 |
| 24 | 72316-54310 | **ADJUST PLATE | 2 |
| 29 | 22173-54561 | **INNER LEVER | 1 |
| 30 | 72316-54570 | **TIE STRAP | 1 |
| 31 | 12492-40080 | **ROLLER | 2 |
| 22 | 17500-14002 | *COIL SPRING | 1 |

| Ref. No | Part No. | Part Name | Q'ty |
|---------|-------------|-------------------------|------|
| 23 | 72316-54240 | *STOPPER | 1 |
| 25 | 72316-54520 | *HOLDER | 1 |
| 26 | 72316-54530 | *NUT LEVER | 1 |
| 27 | 01020-04120 | *BOLT | 1 |
| 28 | 12492-40140 | *ROLLER | 1 |
| 32 | 72316-54580 | *SPRING LEVER | 1 |
| 33 | 72316-54511 | *LEVER | 1 |
| 34 | 72316-54540 | *PIN LEVER | 1 |
| 35 | 02434-30060 | *SNAP RING | 1 |
| 36 | 72345-54611 | *COVER | 1 |
| 37 | 01270-04122 | *SCREW TAPPING | 2 |
| 38 | 22154-52410 | NUT | 2 |
| 39 | 22154-55110 | GEAR | 1 |
| 40 | 22154-55120 | THRUST PLATE | 1 |
| 41 | 22160-55200 | OIL PUMP ASSEMBLY | 1 |
| 42 | 22150-55411 | GASKET PUMP | 1 |
| 43 | 22160-55420 | ELBOW | 1 |
| 44 | 22155-55430 | FILTER | 1 |
| 45 | 11205-04160 | SCREW PM | 2 |
| 46 | 22160-55310 | OIL PIPE | 1 |
| 47 | 22169-57360 | OIL FILTER | 1 |
| 48 | 22100-57370 | CRIP OIL FILTER | 1 |
| 49 | 22160-56100 | PUMP COVER SUB ASSEMBLY | 1 |
| 50 | 22160-56150 | SCREW PM SW | 4 |
| 51 | 22160-52530 | SPIKE | 1 |
| 52 | 22157-15330 | BOLT | 2 |
| 57 | 19600-69900 | CHAIN COVER | 1 |
| 58 | 69026-91330 | LABEL TRADE | 1 |
| 59 | 19401-00093 | LABEL INST | 1 |

PISTON / CRANKSHAFT

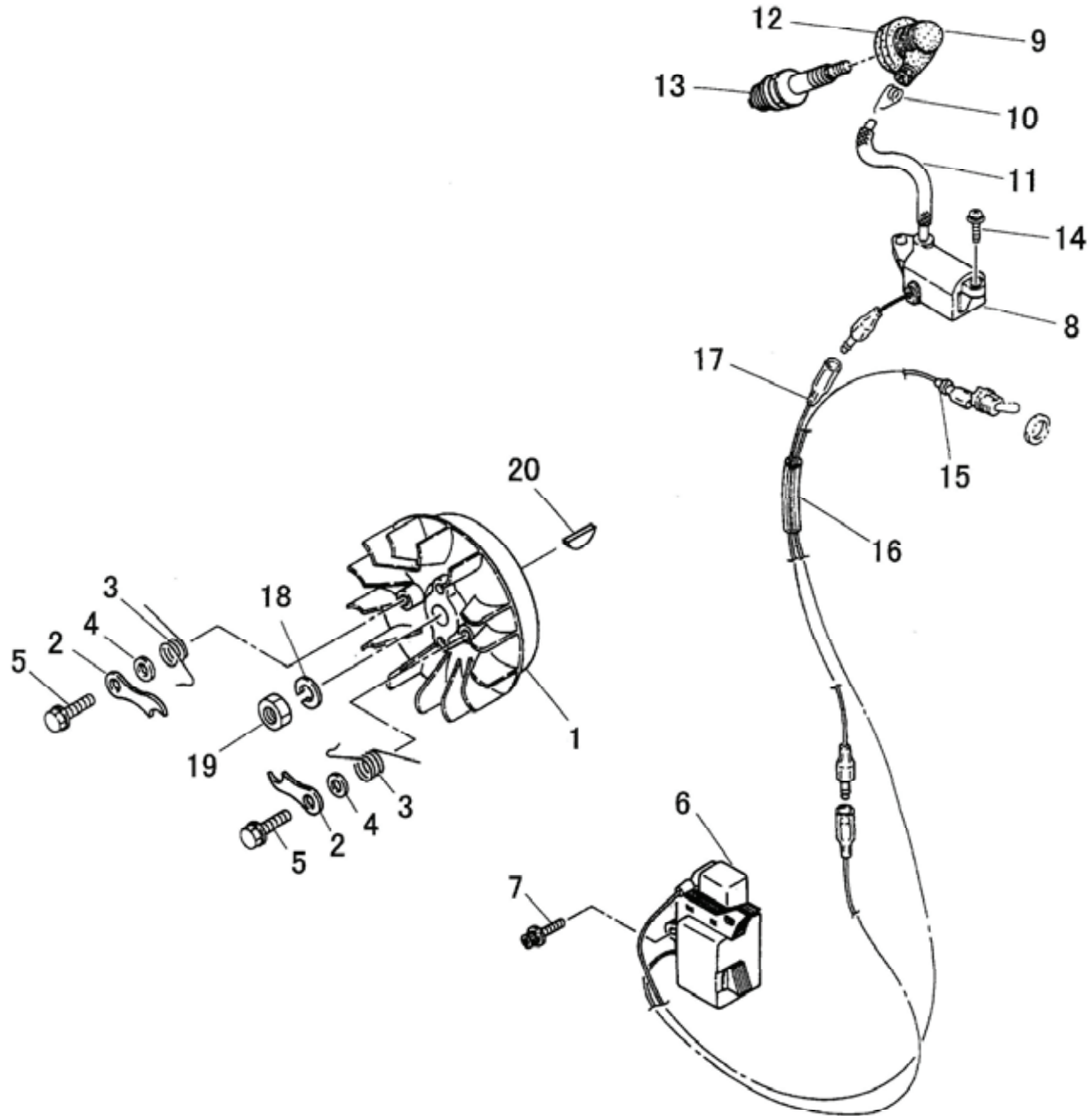
ILLUSTRATION 4 - REV 7/05



| Ref. No | Part No. | Part Name | Q'ty |
|---------|-------------|------------------|------|
| 4- 8 | 72365-98011 | PISTON SET | 1 |
| 1 | 22157-41112 | *PISTON | 1 |
| 2 | 22157-41210 | *PISTON RING | 2 |
| 3 | 22157-41220 | *PISTON PIN | 1 |
| 4 | 22100-41230 | *SNAP RING | 2 |
| 5 | 22160-41240 | *BEARING SE | 1 |
| 7 | 22160-12121 | *GASKET CYLINDER | 1 |
| 6 | 22160-42002 | CRANKSHAFT | 1 |

ROTOR / IGNITION COIL

ILLUSTRATION 6 - REV 7/05



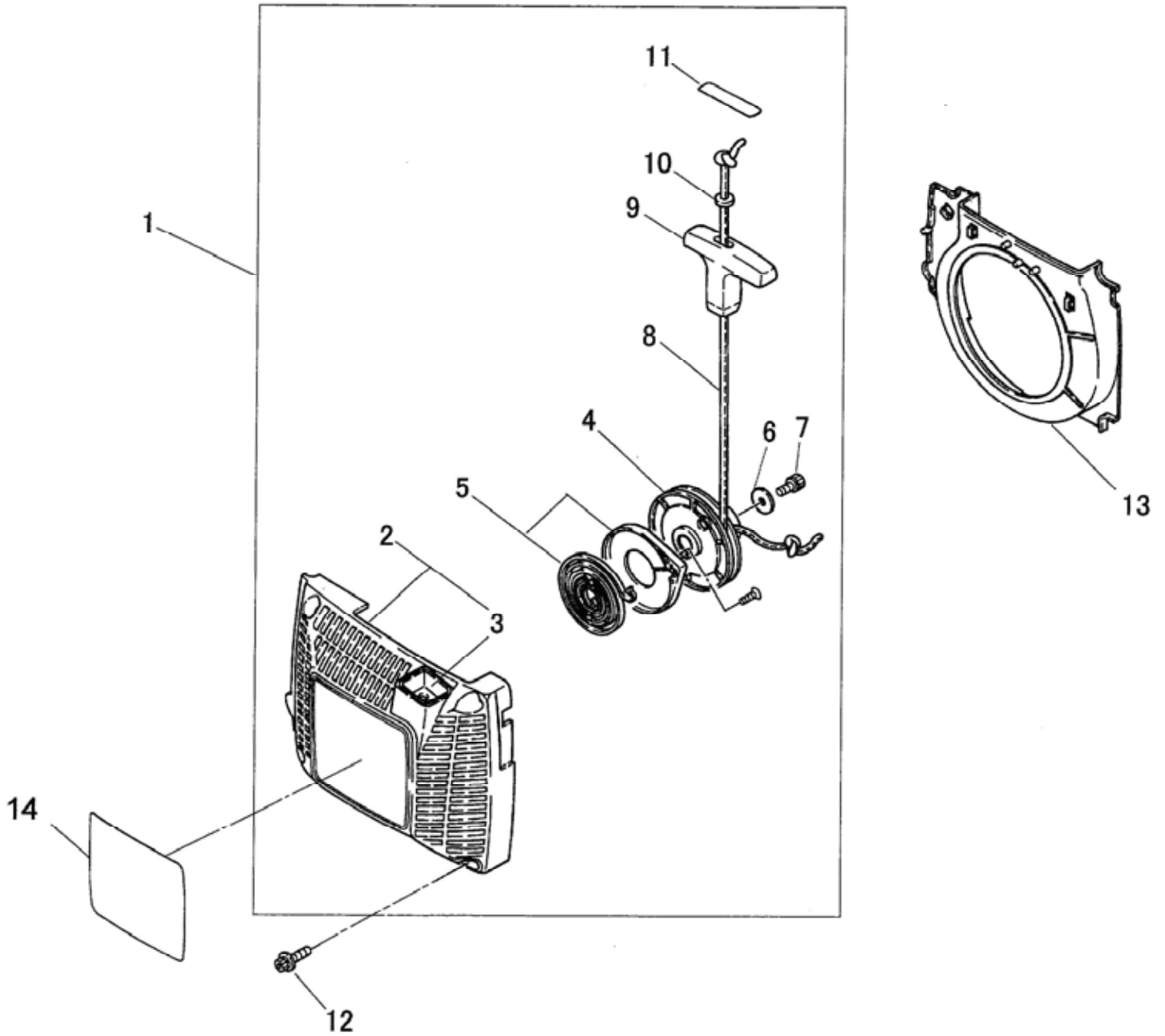
| Ref. No | Part No. | Part Name | Q'ty |
|---------|-------------|----------------|------|
| 6-1 | 22160-71110 | ROTOR | 1 |
| 2 | 22100-71410 | RATCHET | 2 |
| 3 | 22100-71420 | SPRING RATCHET | 2 |
| 4 | 22100-71430 | WASHER | 2 |
| 5 | 22140-71440 | BOLT | 2 |
| 6 | 22160-71511 | EXCITE COIL | 1 |
| 7 | 11024-04200 | BOLT SW | 2 |
| 8 | 22160-71702 | IGNITION COIL | 1 |
| 9 | 22160-72220 | PLUG CAP | 1 |
| 10 | 22154-72230 | SPRING PLUG | 1 |
| 11 | 22160-72240 | TUBE | 1 |

| Ref. No | Part No. | Part Name | Q'ty |
|---------|-------------|------------------|------|
| 12 | 22160-72260 | SEAL CAP | 1 |
| 13 | 13000-13507 | SPARKPLUG BPMR7A | 1 |
| 14 | 11205-04160 | SCREW PM | 2 |
| 15 | 22160-71520 | CORD | 1 |
| 16 | 22160-71530 | TUBE | 1 |
| 17 | 22160-71750 | CORD | 1 |
| 18 | 01600-08201 | SPRING WASHER | 1 |
| 19 | 22100-43231 | NUT | 1 |
| 20 | 02403-03100 | KEY | 1 |

* Denotes item is part of an assembly ** Denotes item is part of a sub-assembly

RECOIL STARTER

ILLUSTRATION 7 - REV 7/05

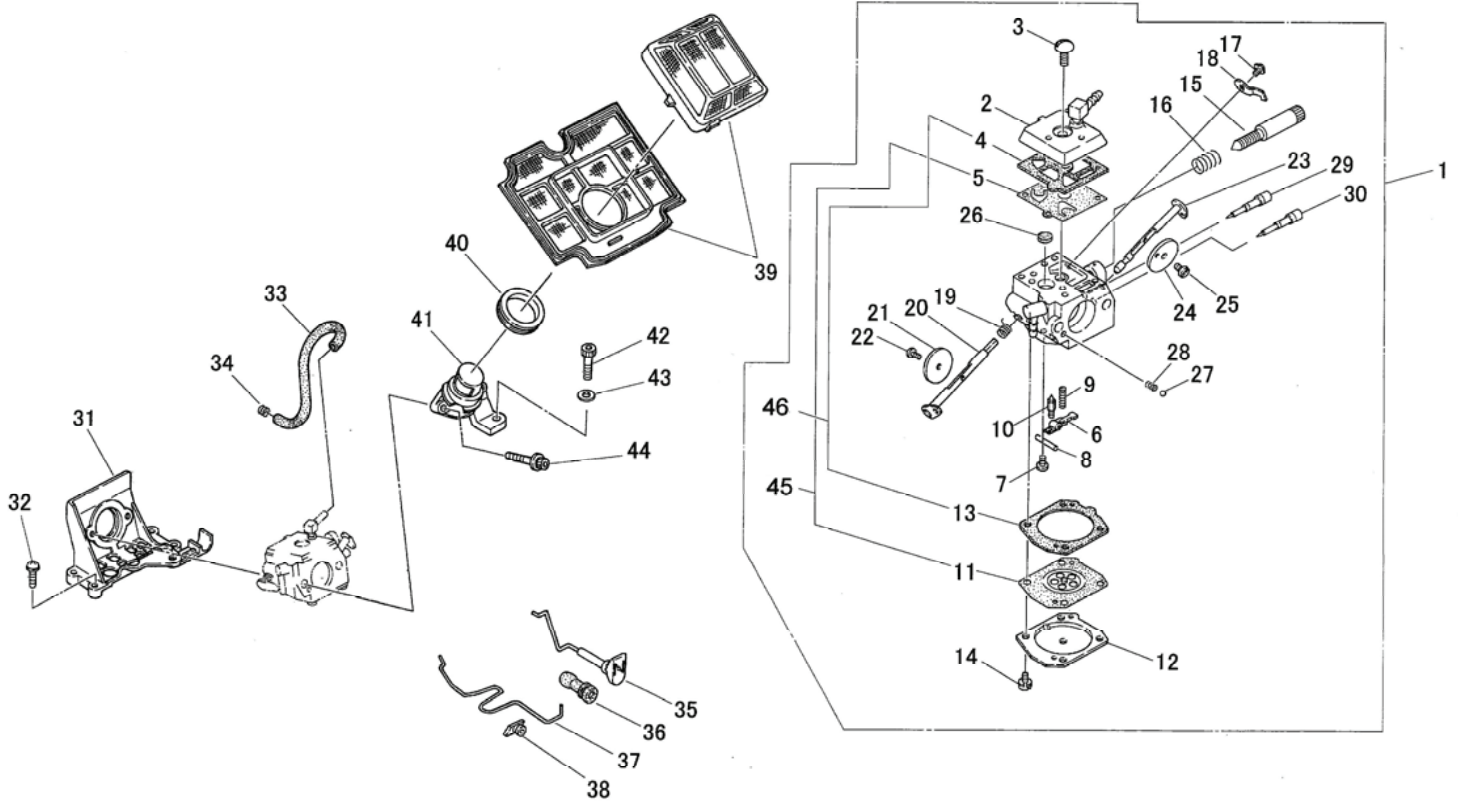


| Ref. No | Part No. | Part Name | Q'ty |
|---------|-------------|-----------------------------|------|
| 7-1 | 22160-75100 | RECOIL STARTER SUB ASSEMBLY | 1 |
| 2 | 22160-75210 | *RECOIL CASE | 1 |
| 3 | 22160-75220 | **ROPE GUIDE | 1 |
| 4 | 22160-75310 | *REEL | 1 |
| 5 | 22160-75410 | *RECOIL SPRING | 1 |
| 6 | 22160-75450 | *WASHER | 1 |
| 7 | 01020-05120 | *BOLT | 1 |

| Ref. No | Part No. | Part Name | Q'ty |
|---------|-------------|---------------|------|
| 8 | 22160-75510 | *ROPE | 1 |
| 9 | 22150-75520 | *KNOB RECOIL | 1 |
| 10 | 22150-75530 | *STOPPER KNOB | 1 |
| 11 | 20010-75230 | *TAPE | 1 |
| 12 | 11060-04163 | BOLT ADHESIVE | 4 |
| 13 | 22160-75612 | AIR PLATE | 1 |
| 14 | 69026-91320 | LABEL TRADE | 1 |

CARBURETOR / AIR CLEANER

ILLUSTRATION 8 - REV 7/05



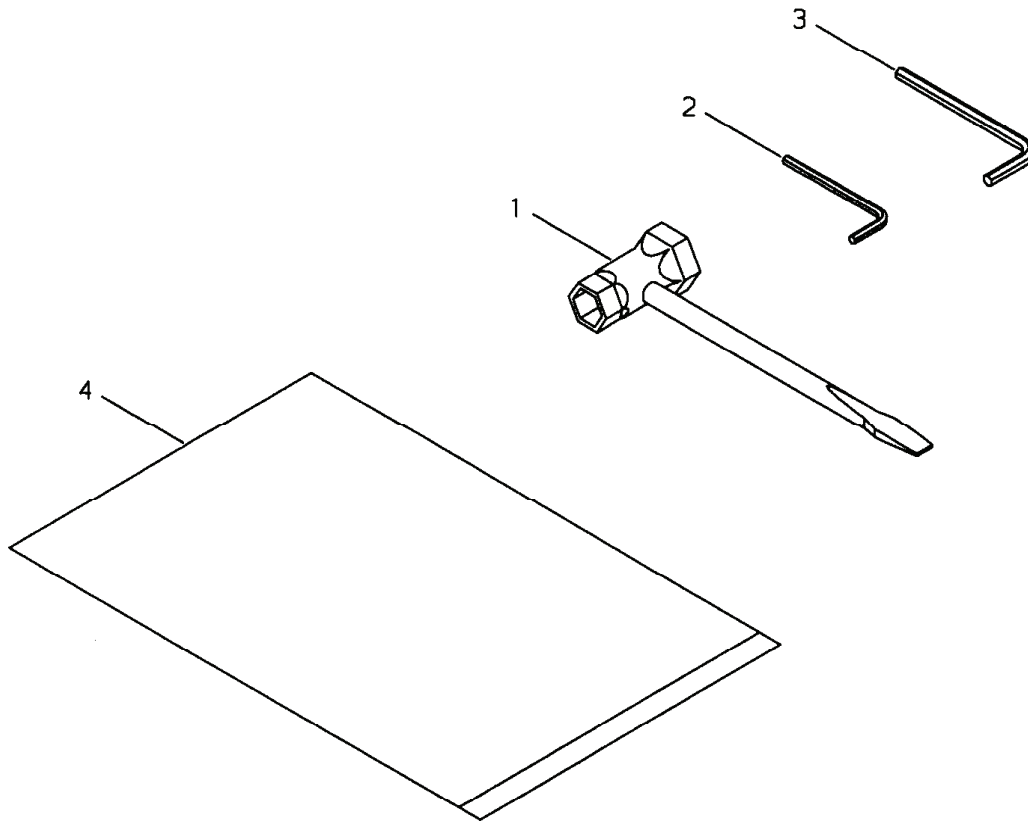
| Ref. No | Part No. | Part Name | Q'ty |
|---------|-------------|----------------------|------|
| 8-1 | 69026-81010 | CARBURETOR ASSEMBLY | 1 |
| 2 | 72365-81120 | *PUMP COVER ASSEMBLY | 1 |
| 3 | 22100-81130 | *SCREW | 1 |
| 46 | 22150-81930 | *GASKET KIT | 1 |
| 4 | 22150-81140 | **GASKET PUMP | 1 |
| 13 | 22150-81290 | **GASKET DIAPHRAGM | 1 |
| 45 | 22150-81940 | *DIAPHRAGM KIT | 1 |
| 5 | 22150-81150 | **DIAPHRAGM PUMP | 1 |
| 11 | 22150-81260 | **DIAPHRAGM ASSEMBLY | 1 |
| 6 | 22160-81230 | *LEVER | 1 |
| 7 | 22100-81240 | *SCREW | 1 |
| 8 | 22100-81250 | *PIN | 1 |
| 9 | 72342-81270 | *SPRING LEVER | 1 |
| 10 | 20036-81440 | *NEEDLE VALVE | 1 |
| 12 | 22150-81280 | *COVER DIAPHRAGM | 1 |
| 14 | 22100-81351 | *SCREW | 4 |
| 15 | 22156-81410 | *IDLE SCREW | 1 |
| 16 | 22156-81420 | *SPRING IDLE | 1 |
| 17 | 20803-81150 | *SCREW ASSEMBLY | 1 |
| 18 | 22160-81390 | *STOPPER | 1 |
| 19 | 22150-81430 | *RETURN SPRING | 1 |
| 20 | 22160-81371 | *SHAFT ASSEMBLY | 1 |
| 21 | 22100-81340 | *THROTTLE VALVE | 1 |

| Ref. No | Part No. | Part Name | Q'ty |
|---------|-------------|------------------|------|
| 22 | 20803-81140 | *SCREW ASSEMBLY | 1 |
| 23 | 22160-81740 | *SHAFT ASSEMBLY | 1 |
| 24 | 22160-81710 | *CHOKE VALVE | 1 |
| 25 | 20803-81150 | *SCREW ASSEMBLY | 1 |
| 26 | 70030-81380 | *SCREEN | 1 |
| 27 | 22150-81720 | *BALL | 1 |
| 28 | 22150-81730 | *SPRING | 1 |
| 29 | 69026-81320 | *NEEDLE | 1 |
| 30 | 69026-81330 | *NEEDLE | 1 |
| 31 | 22160-82111 | MOUNT | 1 |
| 32 | 11024-04160 | BOLT SLPW | 4 |
| 33 | 22160-82210 | PULSE PIPE | 1 |
| 34 | 22150-82140 | CLIP PULSE | 1 |
| 35 | 22160-82311 | CHOKE ROD | 1 |
| 36 | 22160-82321 | GROMMET CHOKE | 1 |
| 37 | 22160-82353 | THROTTLE ROD | 1 |
| 38 | 22160-82360 | GROMMET ROD | 1 |
| 39 | 22173-82401 | AIR CLEANER COMP | 1 |
| 40 | 22157-82431 | GROMMET CLEANER | 1 |
| 41 | 22157-82451 | ELBOW CARBURETOR | 1 |
| 42 | 22157-12130 | BOLT | 1 |
| 43 | 01613-05080 | WASHER | 1 |
| 44 | 11022-05500 | BOLT SPW | 2 |

* Denotes item is part of an assembly ** Denotes item is part of a sub-assembly

TOOL SET

ILLUSTRATION 9 - REV 7/05



| Ref. No | Part No. | Part Name | Q'ty |
|---------|-------------|-----------------|------|
| 9- 1 | 22000-91181 | PLUG WRENCH | 1 |
| 2 | 09026-03001 | HEXA WRENCH 4MM | 1 |
| 3 | 09026-04001 | HEXA WRENCH 5MM | 1 |
| 4 | 19639-01100 | POLY BAG | 1 |



shindaiwa

www.shindaiwa.com

11975 SW Herman Road, Tualatin, Oregon 97062, U.S.A.

1 + 503.692.3070 • fax 1 + 503.692.6696 •

Item #xxxx Effective 07/05